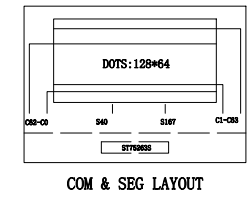
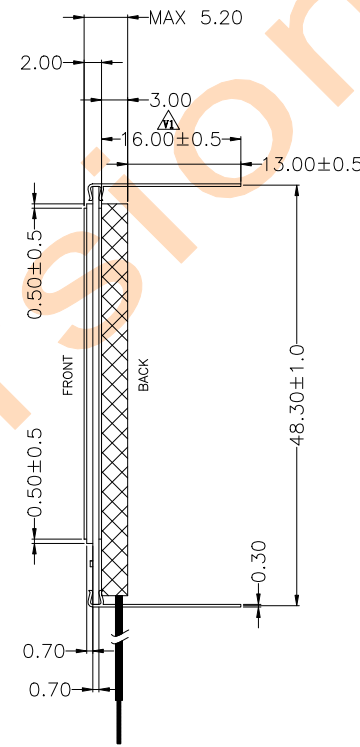
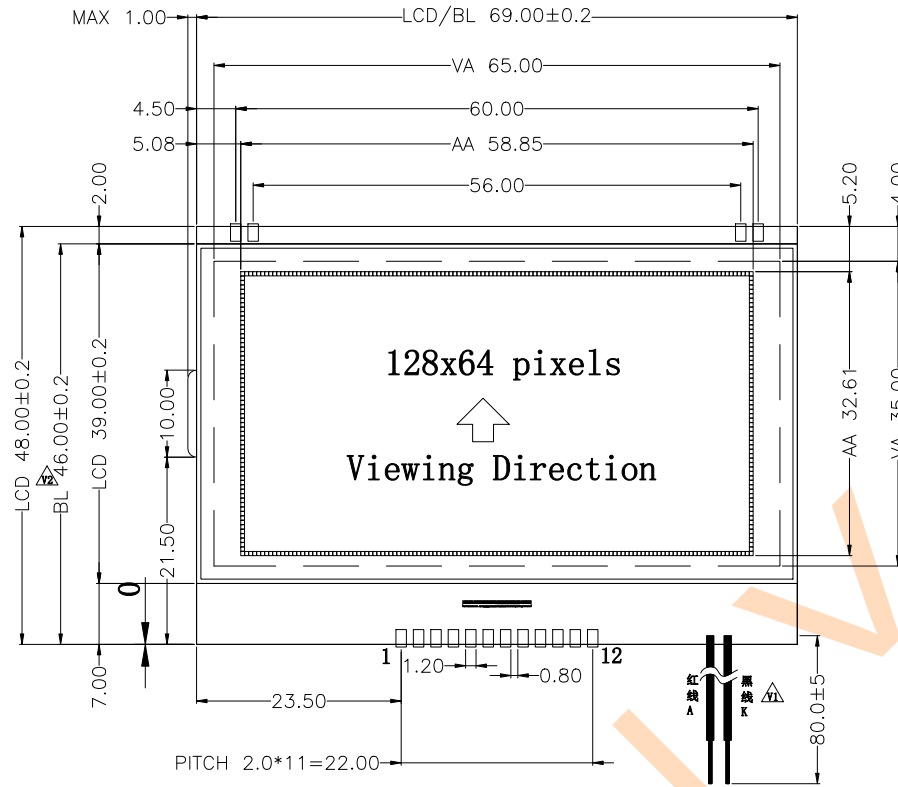


# 图形点阵-1

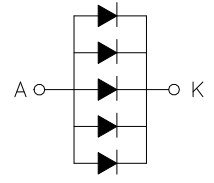
RoHS

| NO. | CONTENT            | DRAWN | DATE     |
|-----|--------------------|-------|----------|
| A   | First Issue        | LXY   | 20250610 |
| M   | 修改PIN长度, 将背光端子改为导线 | LXY   | 20250625 |
| N   | 修改背光外形尺寸           | LXY   | 20250703 |

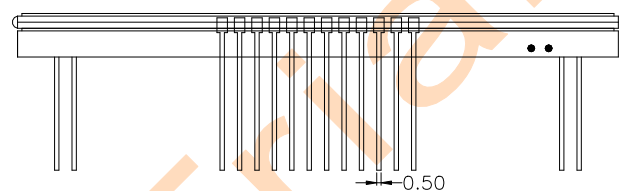


**PIN ASSIGNMENT:**

|    |        |
|----|--------|
| 1  | VG     |
| 2  | VO     |
| 3  | XVO    |
| 4  | CAPVDD |
| 5  | CAPVSS |
| 6  | VDD    |
| 7  | VSS    |
| 8  | CS     |
| 9  | A0     |
| 10 | RST    |
| 11 | SCL    |
| 12 | SDA    |



CIRCUIT DIAGRAM



|                   |                              |                          |                                  |
|-------------------|------------------------------|--------------------------|----------------------------------|
| DISPLAY TYPE      | FSTN, POSITIVE/TRANSFLECTIVE | OPERATING TEMP.          | -40°C TO +70°C                   |
| DRIVING METHOD    | 1/64DUTY, 1/9BIAS            | STORAGE TEMP.            | -40°C TO +70°C                   |
| OPERATING VOLTAGE | VDD: 3.3V, VLCD: 11.2V       | DRIVER IC                | ST75263S                         |
| VIEWING DIRECTION | 6 O'CLOCK                    | BACKLIGHT                | White LED(X5) If: 75mA, Vf: 3.0V |
| CONNECTION        | PIN                          | Environmental Protection | RoHS Compliant                   |

MARK "Ⓐ" ARE IMPORTANT DIMENSION, MARK "( )" ARE REFERENCE DIMENSION, MARK "Ⓢ" ARE SPECIAL CHARACTERISTICS RELATED TO SAFETY, MARK "Ⓜ" ARE SPECIAL CHARACTERISTICS RELATED TO REGULATORY, MARK "Ⓜ" ARE KEY FEATURES CHARACTERISTICS.

|       |  |     |      |      |       |         |     |
|-------|--|-----|------|------|-------|---------|-----|
|       | <b>深圳市福瑞达显示技术有限公司</b><br>Shenzhen Frida LCD Co., Ltd |     |      |      | Page  | 1/1     |     |
|       | TITLE  | 段码屏 | REV. | UNIT | SIZE  | DRAWING | LXY |
| MODEL | FRD83776GPPW   | V1  | mm   | A4   | CHECK | APPROVE |     |