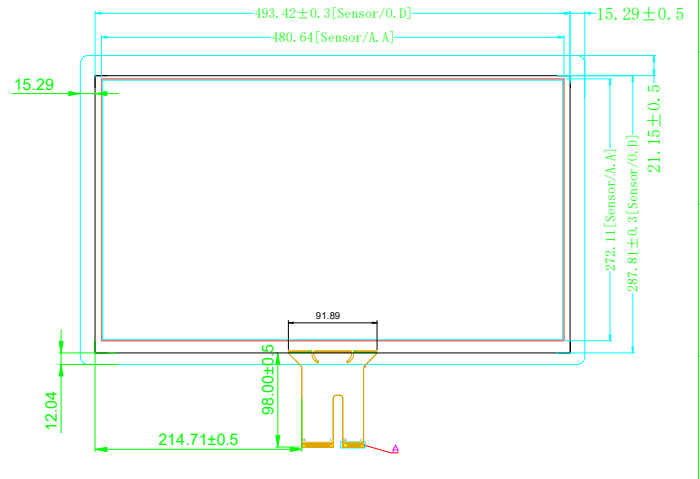
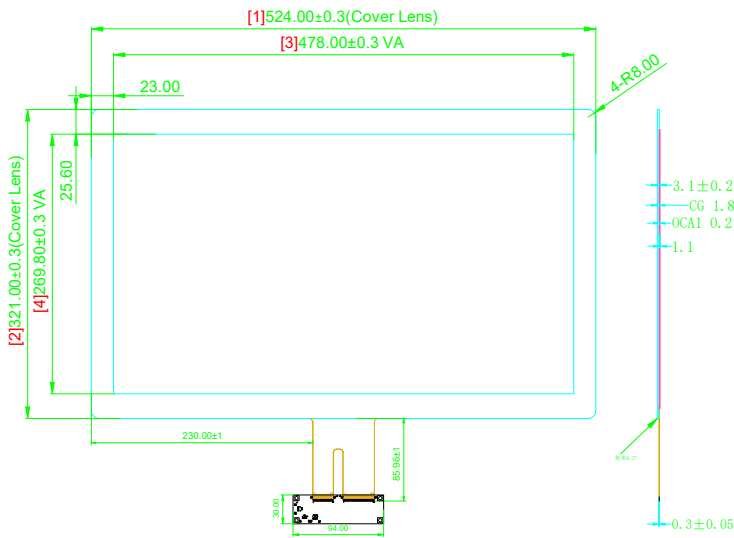


标记(mark)	修改内容(revised contents)	签名(signature)	日期(Date)
<1>			
<2>			

TOP VIEW

SIDE VIEW

REAR VIEW



Remarks -

- 1.COVER LENS =1.8MM Tempered Glass
- 2.Controller IC:IL2510M
- 3.Surface Hardness:>6H
- 4.Light Transmission: >85%
- 5.Unmarked Tolerance:± 0.5mm
- 6.Product Material Conform to RoHs Standards.

GFF STACK UP

COVER GLASS 1.8mm
SCA02mm
SENSOR GLASS 1.1mm

SINOTELECTRONICS INC.

TITLE: 产品编号	SNT-ITO-TPB-21.5-ILI			
Designed By: 设计	Customerid: 客户编号		View: 投影方式	
Checked By: 审核	Unit: 单位	mm	Scale: 比例	1:1
Approved By: 批准	Date: 日期	2019.11.06		