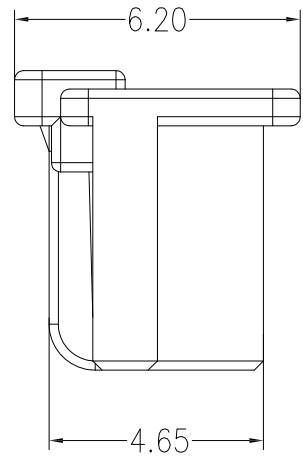
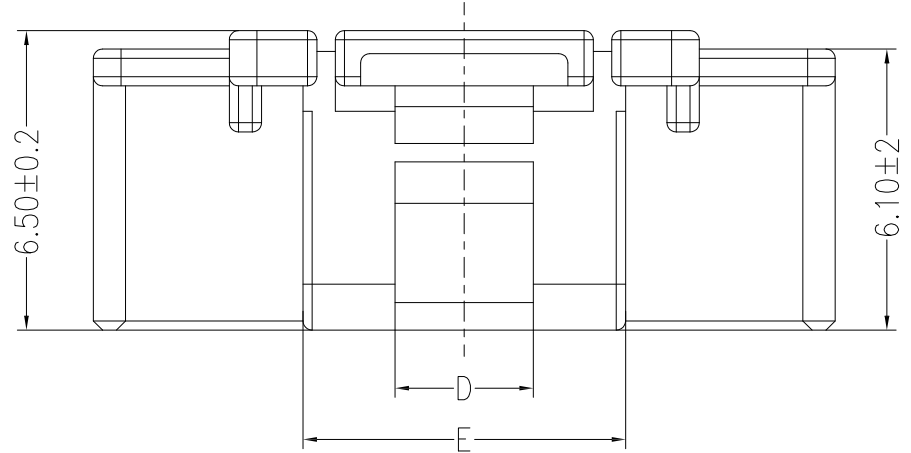
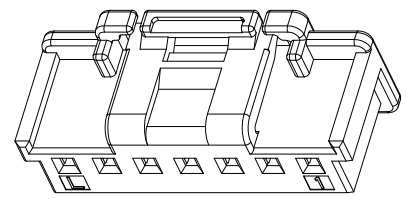


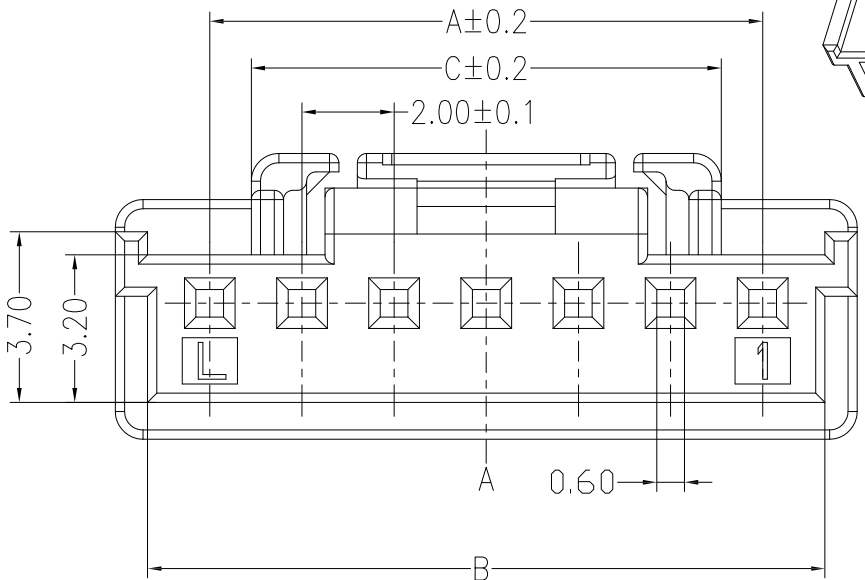
REV.	LOCAS.	DESCRIPTION	DATE	DRAWN
A	NEW	INTERIM INITIAL RELEASE.	2021.10.28	张汝楼



Specifications
 Current Rating: 3.0A AC DC
 Voltage Rating: 125V AC DC
 Insulation Resistance: 1000MΩ Min.
 Contact Resistance: 10mΩ Max.
 Dielectric Withstanding Voltage: 500V AC/minute
 Operating Temperature: -40°C to +105°C
 Material:PBT
 Matching Terminal: GRF141-T2
 All materials must meet Greenconn hazardous substances control standards.



PIN.	DIM A	DIM B	DIM C	DIM D	DIM E	PIN.	DIM A	DIM B	DIM C	DIM D	DIM E
2pin	2.00	4.70	8.00	2.00	4.70	9pin	16.00	18.70			
3pin	4.00	6.70	8.10	2.20	4.90	10pin	18.00	20.70			
4pin	6.00	8.70	10.10		6.90	11pin	20.00	22.70			
5pin	8.00	10.70				12pin	22.00	24.70	10.20	3.00	7.00
6pin	10.00	12.70		3.00	7.00	13pin	24.00	26.70			
7pin	12.00	14.70	10.20			14pin	26.00	28.70			
8pin	14.00	16.70				15pin	28.00	30.70			



GWF191 - XX A1 XX

No. of Pins
02~15

Materials /Color
A4=PBT/White

<p>Website:www.greenconn.com E-mail:sales@greenconn.com</p>	3RD.ANG PROJ. 	GENERAL TOLERANCE X.*±5* X.±0.5 .X*±2* .X±0.3 .XX*±1* .XX±0.25 .XXX*±/* .XXX±/		DESIGNED: 张汝楼	DATE: 2021.10.28	DWG. NO. GWF191-HA1 PART NO. GWF191-XXA1XX	TITLE. 2.00mm PITCH Housing
		REV. A	UNIT. mm	SCALE. 1:1	PAGE. 1/1		