

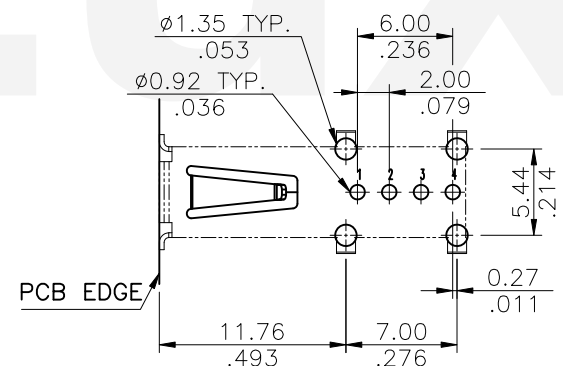
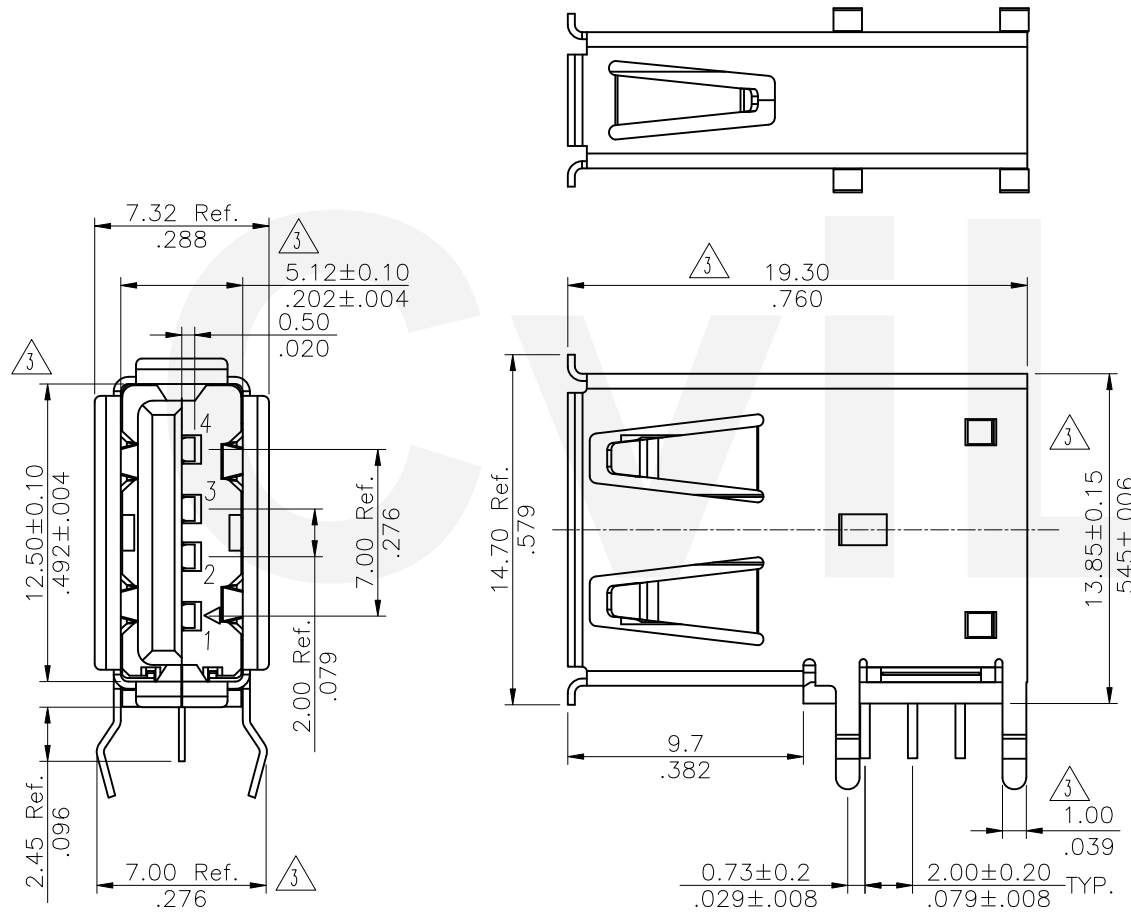
Materials :

- Insulator: PBT UL 94V-0
- Contacts: Copper Alloy t= 0.25mm
- Front Shell: KU570 t= 0.30mm
- Rear Shell: Brass t= 0.30mm
- Shell Plating: 80μ Nickel over Plated


Ordering Code:

CU01 S A H 1 U 00  
 ① ② ③ ④ ⑤ ⑥ ⑦

- ① Series No.
- ② S= Socket
- ③ Plating option:  
 A= Selective Gold flash plated over 1.02μm(40μ") Nickel  
 C= Selective 0.76μm(30μ") Gold plated over 1.02μm(40μ") Nickel
- ④ H= Right angle
- △ ⑤ Insulator Color:  
 0= White, 1= Black
- ⑥ Type:U= Upright/DIP Type
- ⑦ Option: 00= Standard



Lead Free Process  
 RoHS Compliant

△4						DATE	UNIT: mm / inch	TITLE: U.S.B TYPE A RIGHT ANGLE BOARD MOUNT SOCKET	 瀚荃股份有限公司 CviLux Corporation
△3	Karen	11/14-20'	ECNT120262/ECRT120061	2020.12.10	DRAWN BY: Karen	11/24-20'	TOLERANCE UNLESS OTHERWISE SPECIFIED	MATERIAL:	
△2	Sun	3/26-19'	ECNT119077	ISSUED	ENGINEER: Sun	11/25-20'	.X ± 0.30/.012 X' ± 1'	FINISH:	
△1	Enya	6/18-13'	ECR13049-0/ECN13141-0		CHECKED BY: Eisley	12/04-20'	.XX ± 0.20/.008 X' ±	DRAWING NO. CU0114SJ	PART NO. CU01S*H*U00
SYM	NAME	DATE	REVISIONS		APPROVED BY: Eisley	12/04-20'	.XXX ± 0.10/.004 XX' ±	SCALE 3 / 1	SHEET 1 OF 1