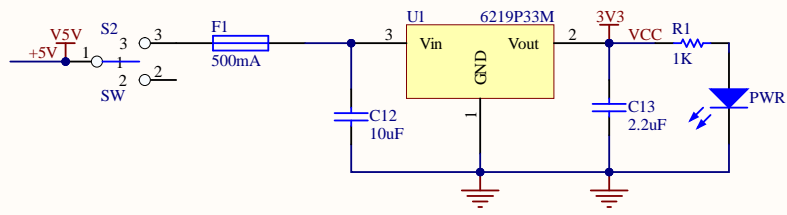
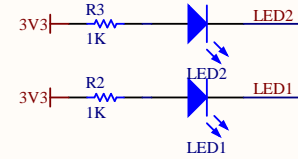


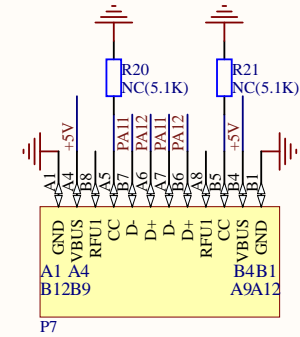
# POWER



# LED

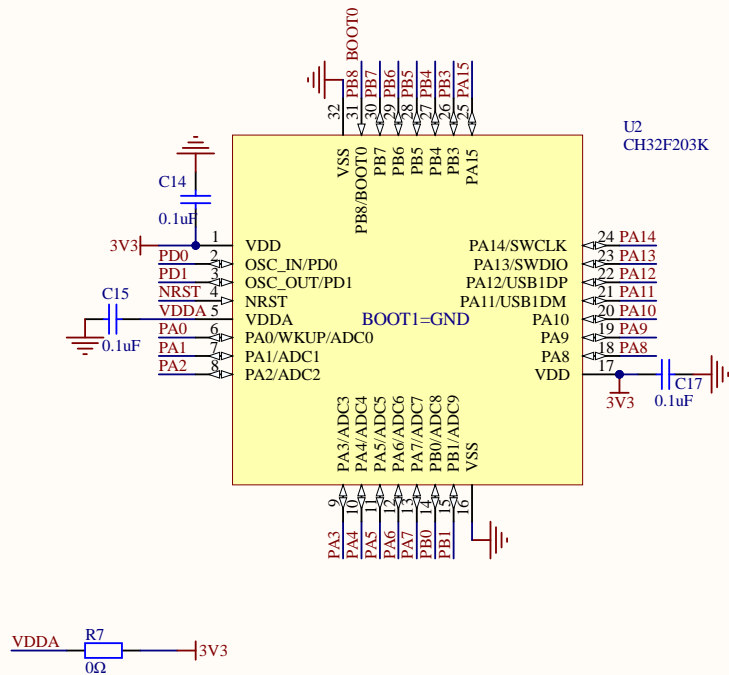


# USB

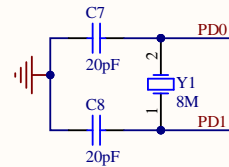


# MCU

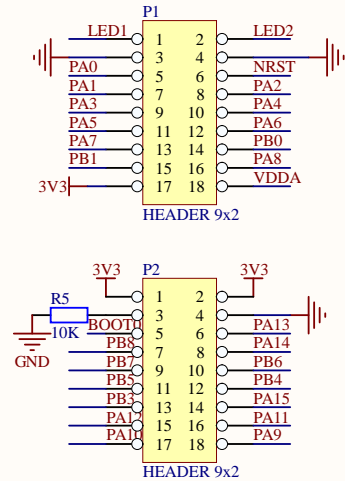
## CH32x203K



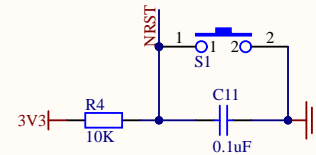
# XTAL



# PIN



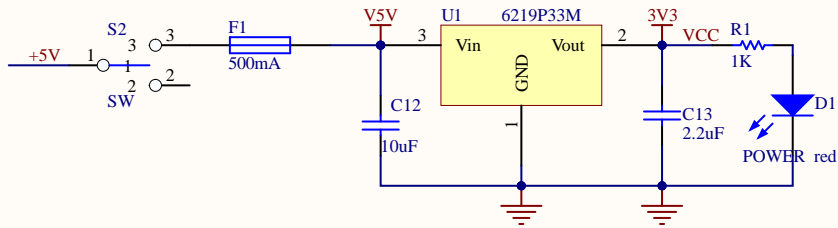
# RST



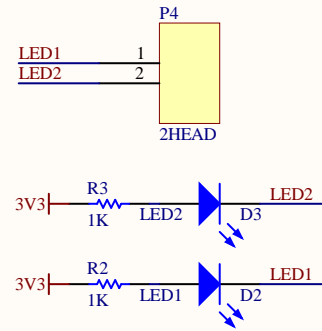




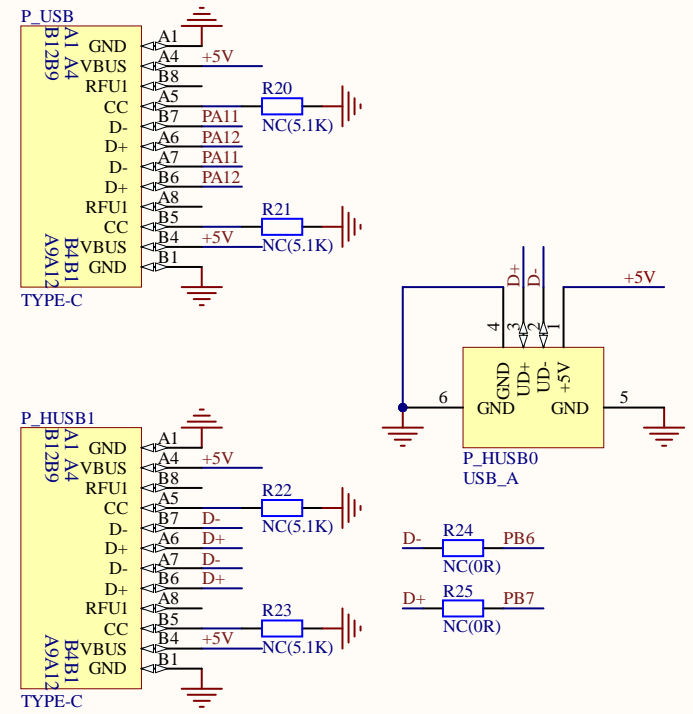
# POWER



# LED

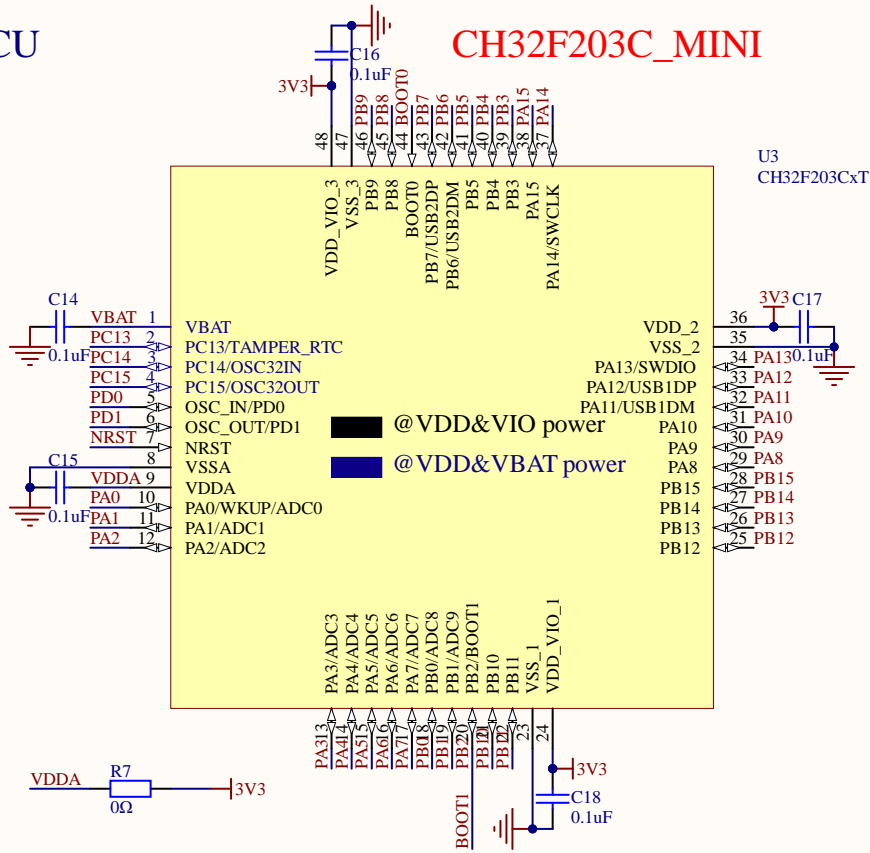


# USB

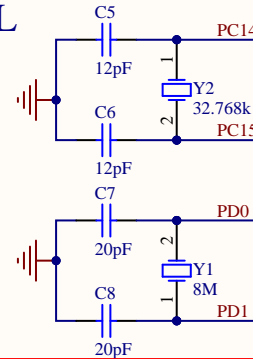


# MCU

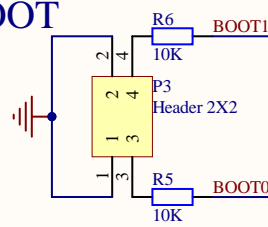
## CH32F203C\_MINI



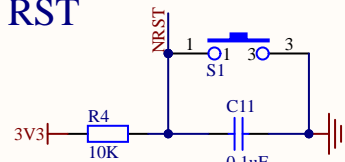
# XTAL



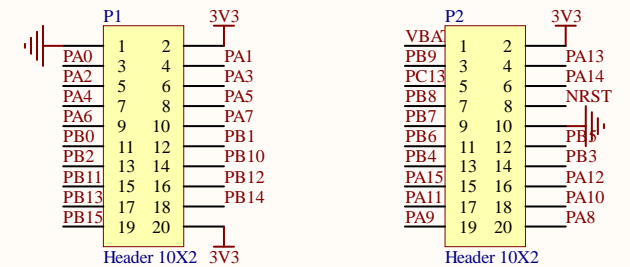
# BOOT



# RST

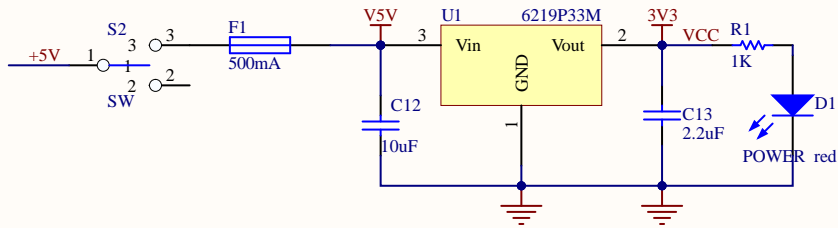


# PIN

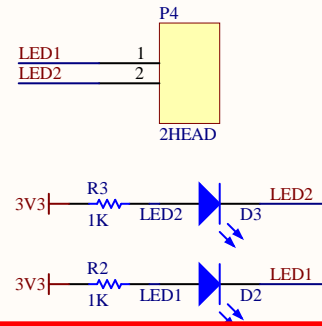


CH32F203CBT6不焊R24、R25两个电阻

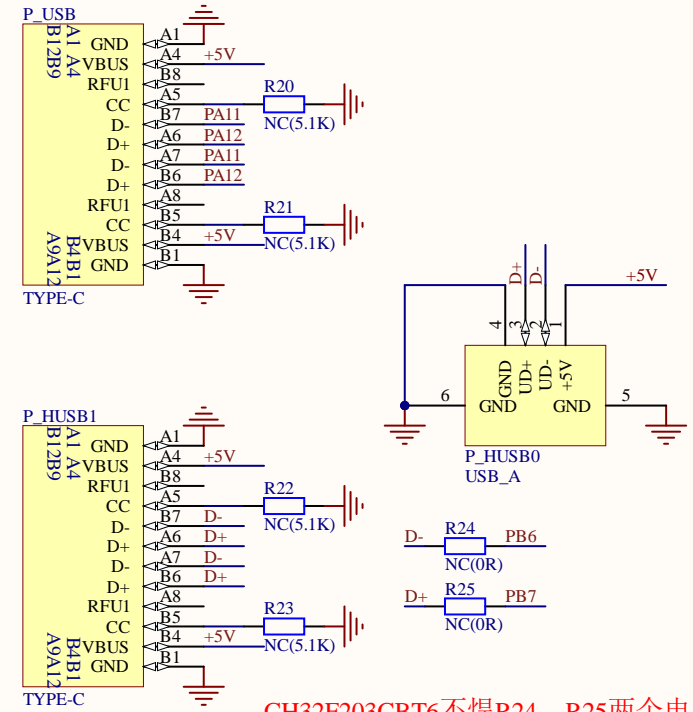
# POWER



# LED

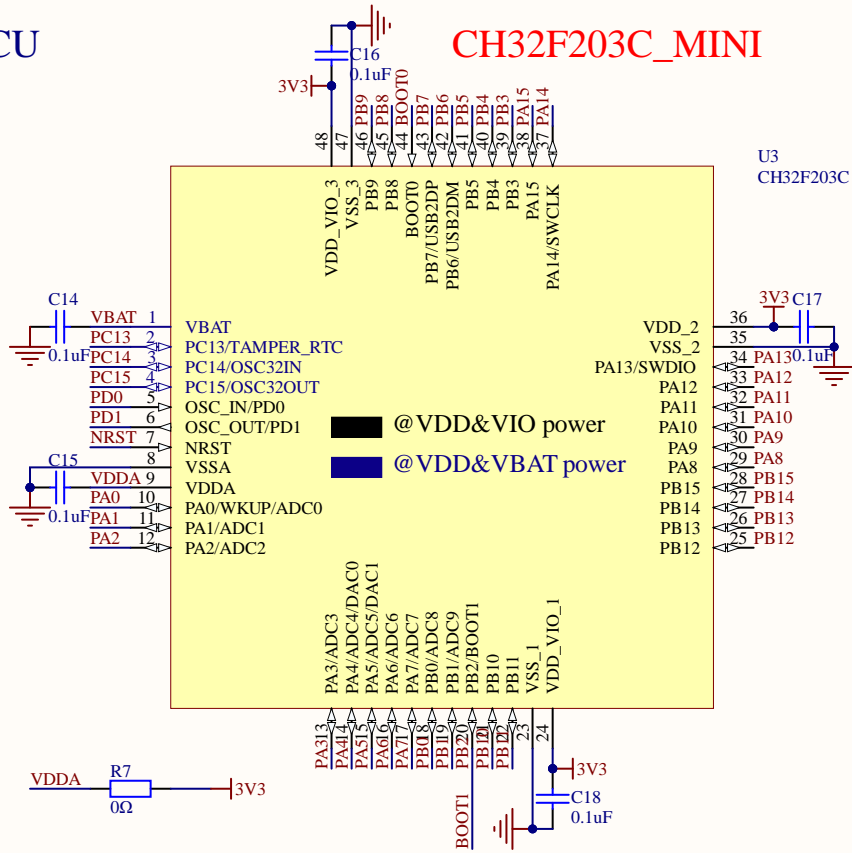


# USB

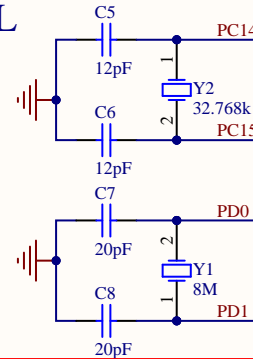


# MCU

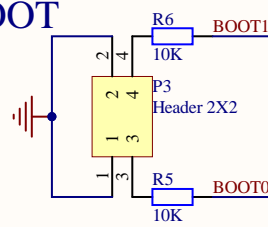
## CH32F203C\_MINI



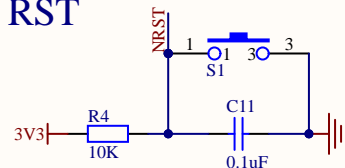
# XTAL



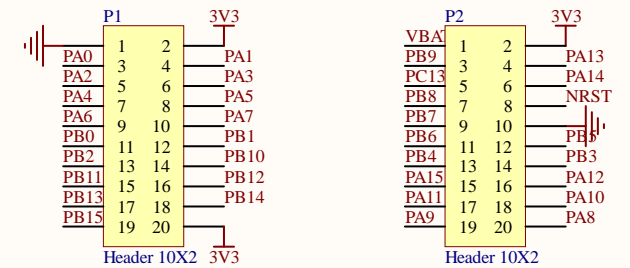
# BOOT



# RST

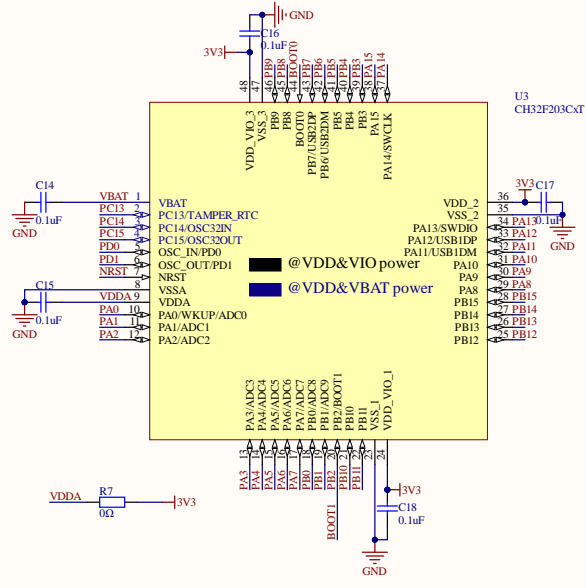


# PIN

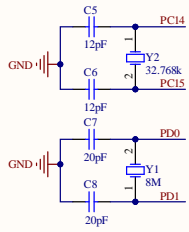


# CH32F203C\_EVT

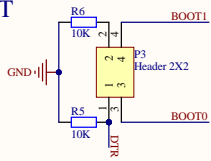
## MCU



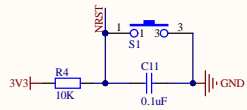
## XTAL



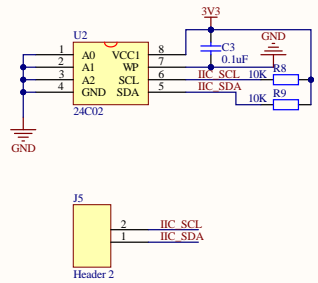
## BOOT



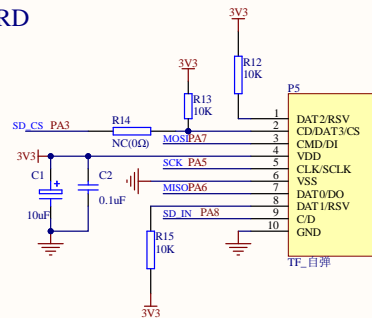
## RST



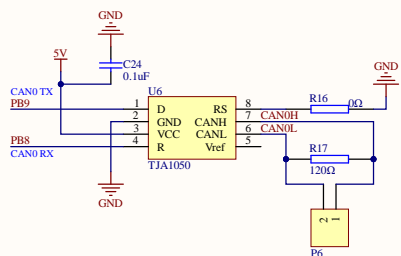
## EEPROM



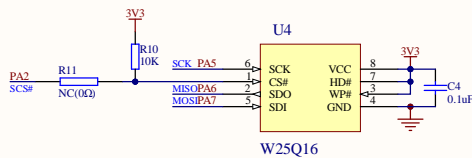
## TF CARD



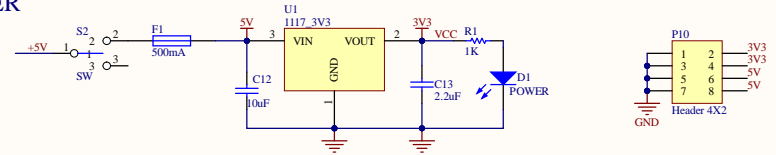
## CAN



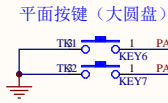
## SPI FLASH



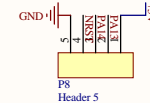
## POWER



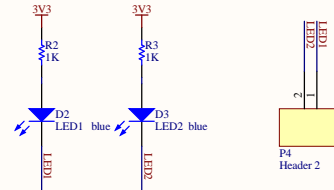
## TOUCHKEY



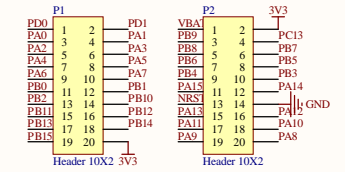
## SWD



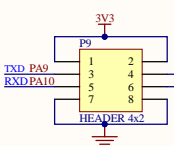
## LED



## PIN

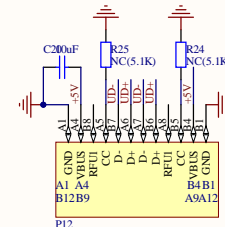


## UART

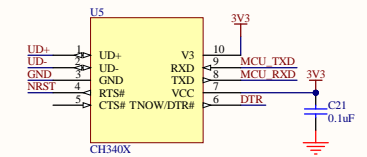


若使用一键串口下载功能  
则用跳冒连接3-4、5-6

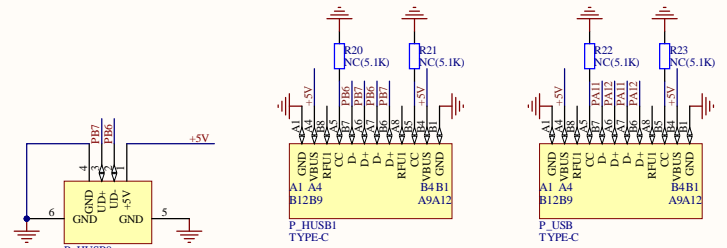
## USB



## CH340X

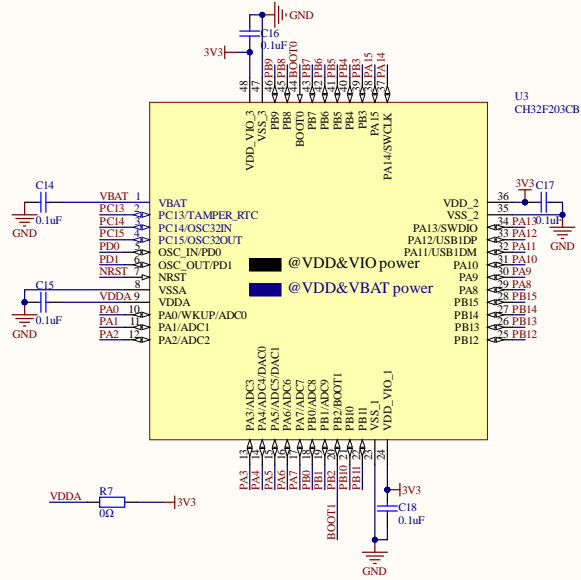


## USB

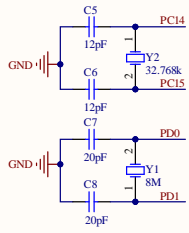


# CH32F203C\_EVT

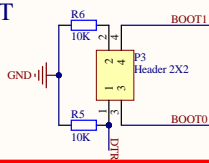
## MCU



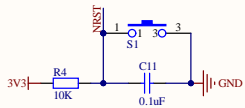
## XTAL



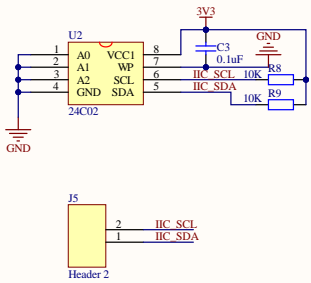
## BOOT



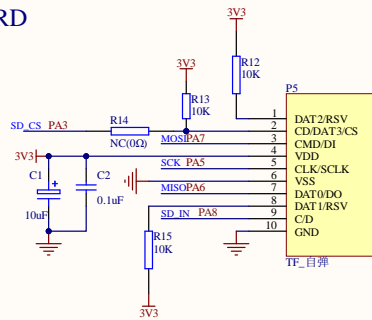
## RST



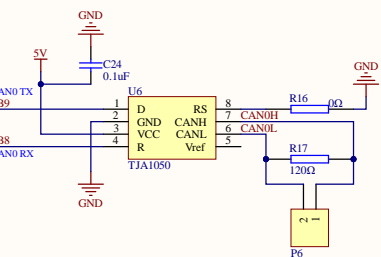
## EEPROM



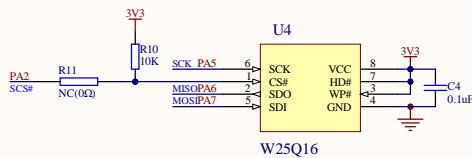
## TF CARD



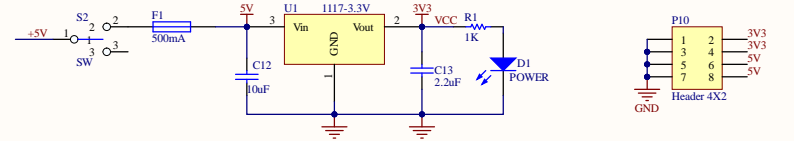
## CAN



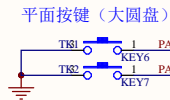
## SPI FLASH



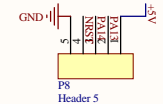
## POWER



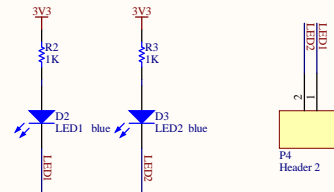
## TOUCHKEY



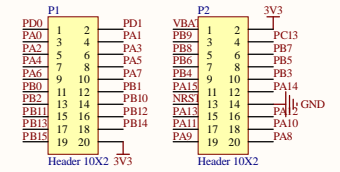
## SWD



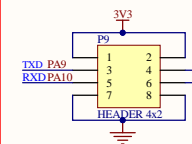
## LED



## PIN

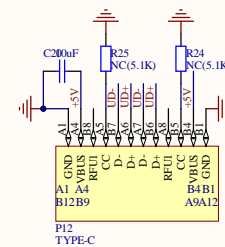


## UART

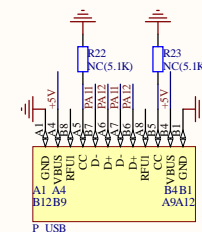


若使用一键串口下载功能  
则用跳冒连接3-4、5-6

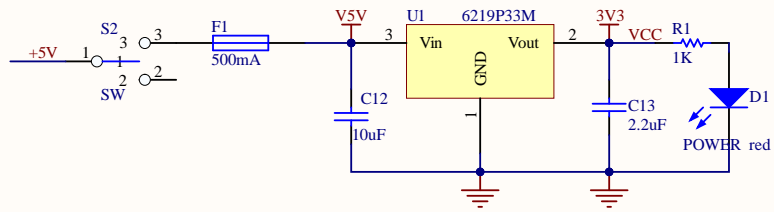
## USB



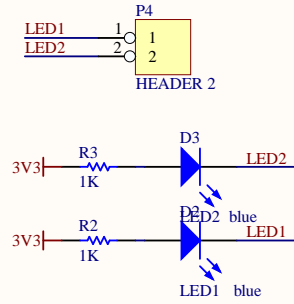
## USB



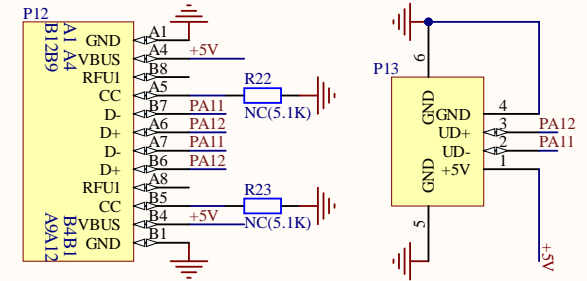
# POWER



# LED



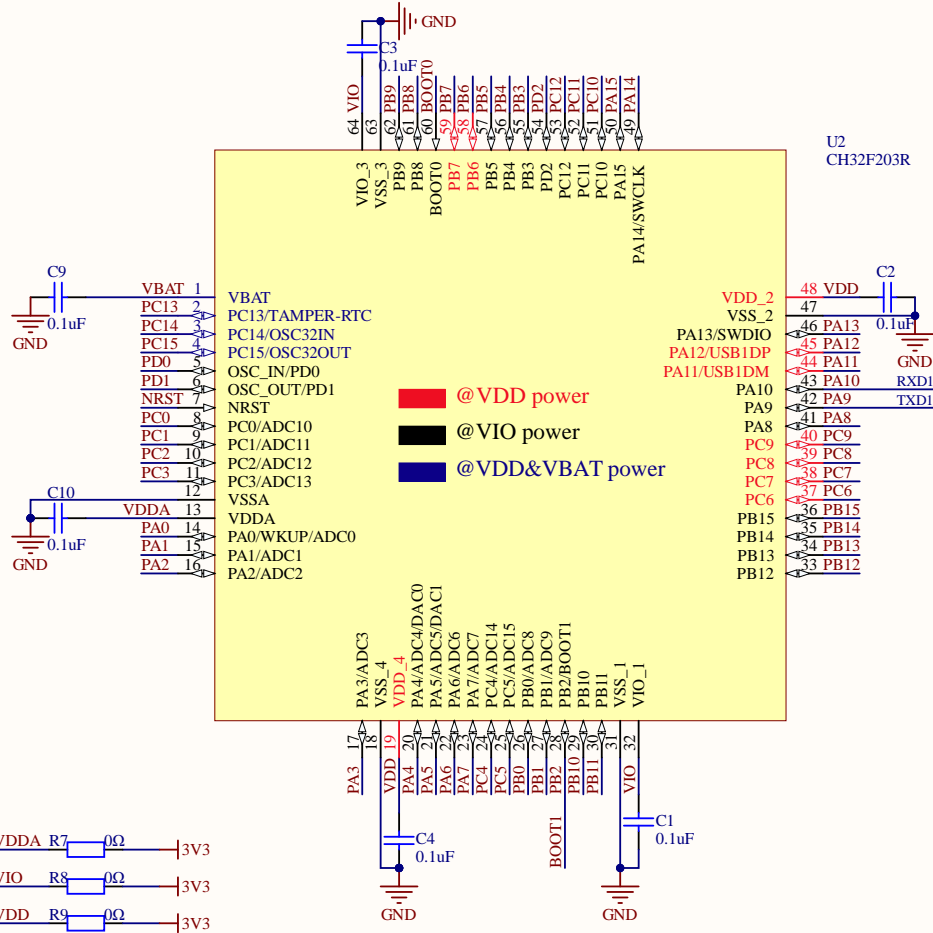
# USB



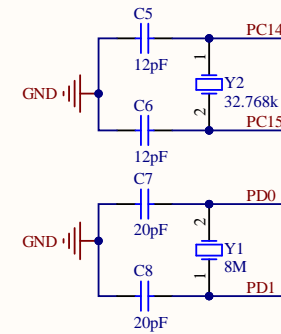
# MCU

# CH32F20xR\_MINI

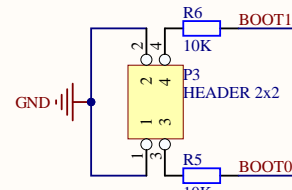
# XTAL



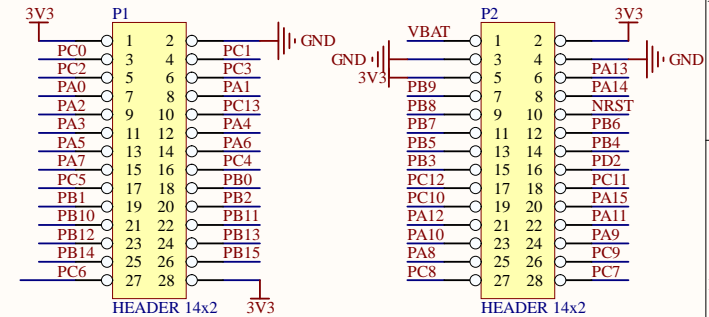
# XTAL



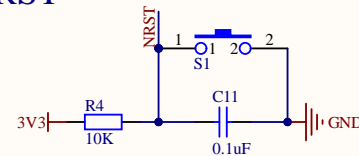
# BOOT



# PIN



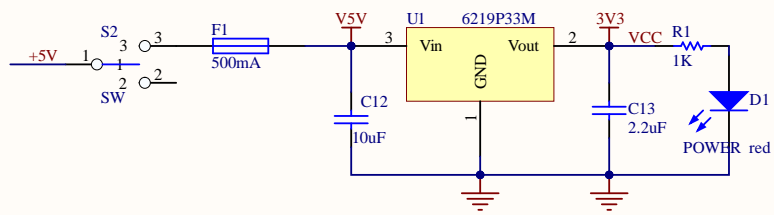
# RST



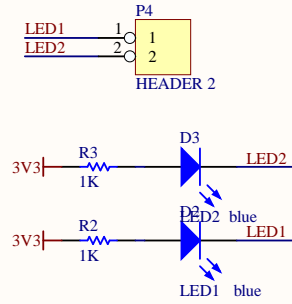




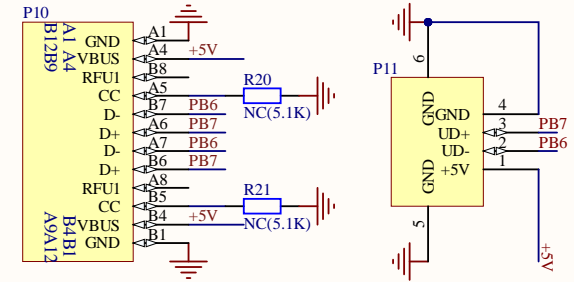
# POWER



# LED



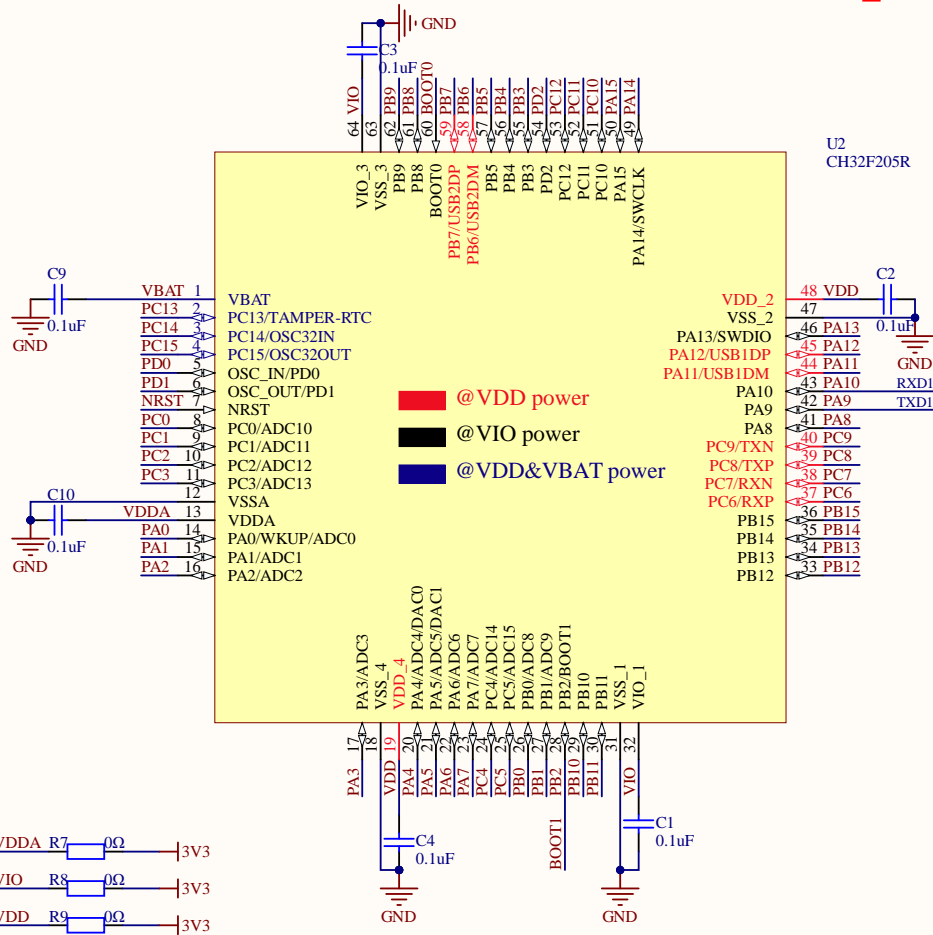
# USB



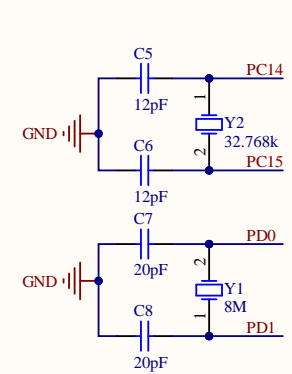
# MCU

# CH32F20xR\_MINI

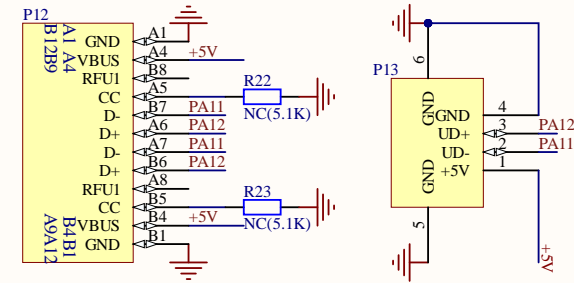
# XTAL



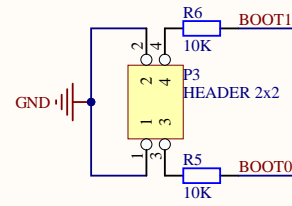
# XTAL



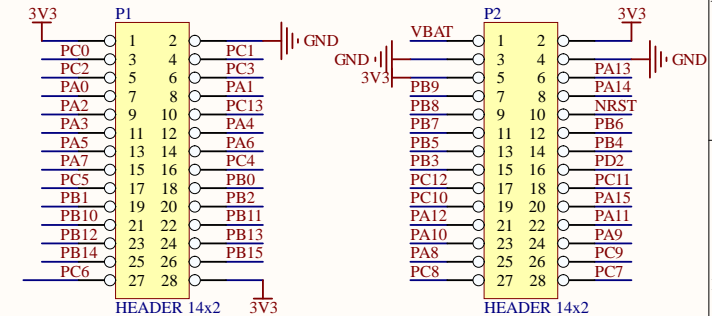
# USB



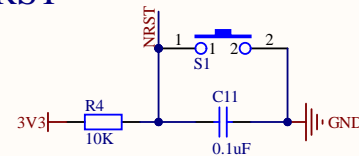
# BOOT

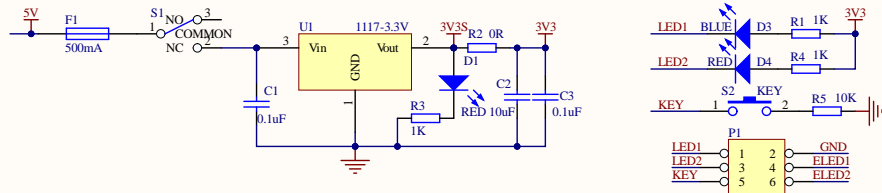


# PIN



# RST

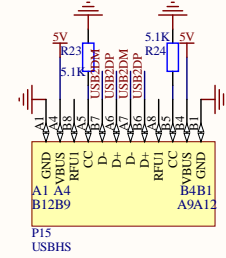
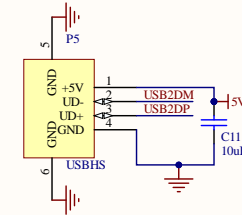




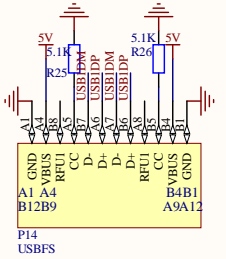
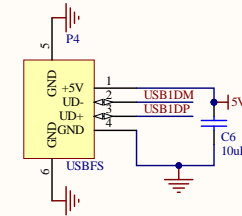
POWER

USB

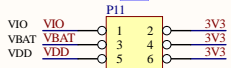
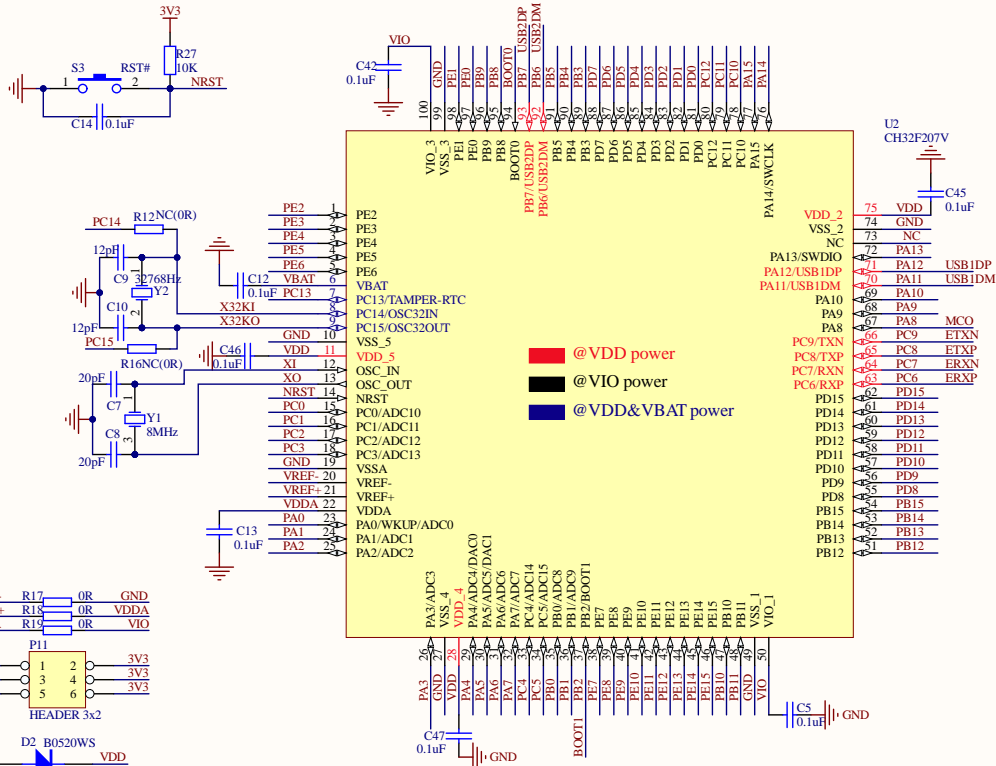
阻抗匹配 480M/45R/30mA



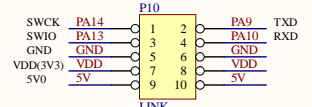
阻抗匹配 12M/50R/60mA



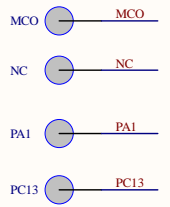
CH32xx0xV\_EVT MCU



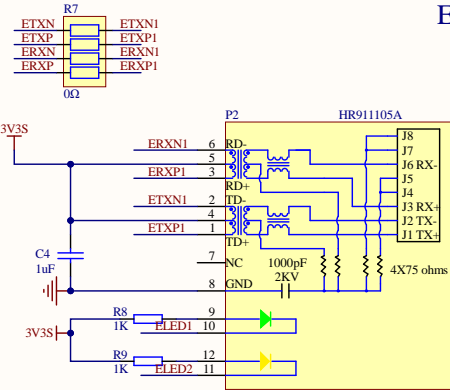
DEBUG



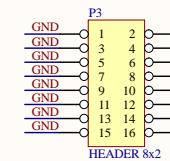
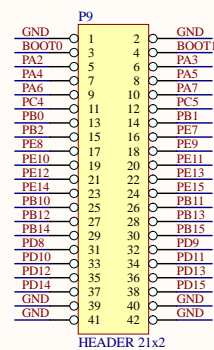
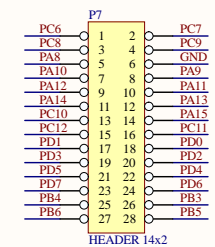
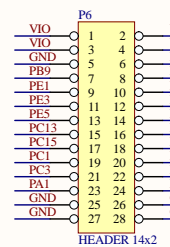
PAD



ETH



PIN



DOWNLOAD

