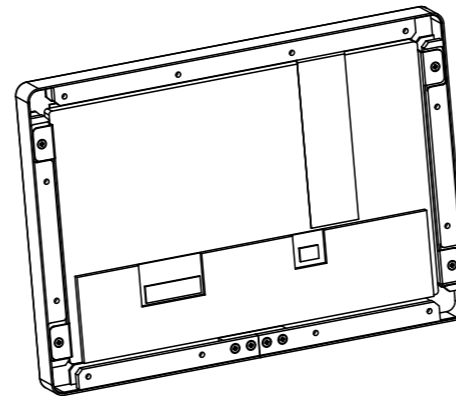
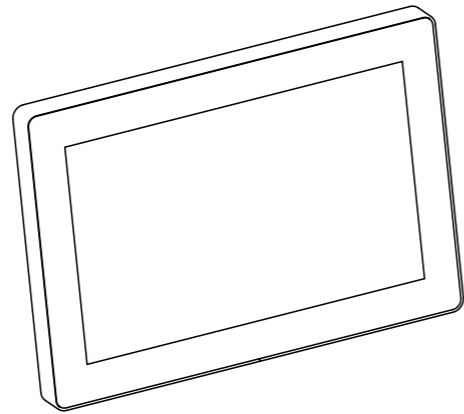
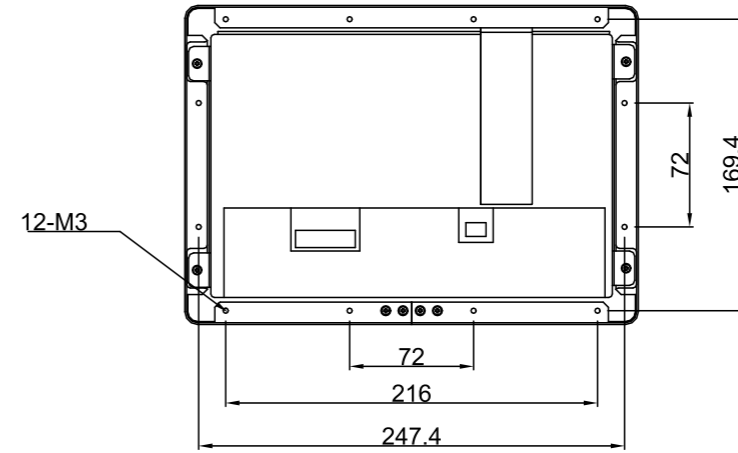
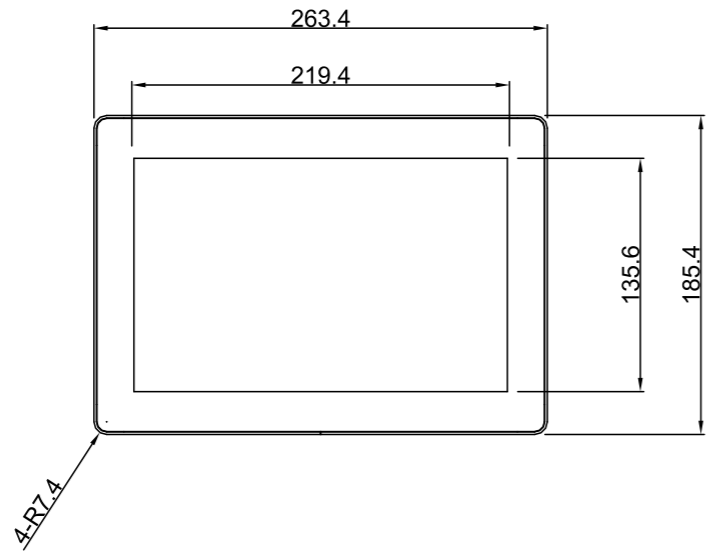


| Ver. | Modify No. | Details | Area | P.I.C | Date |
|------|------------|---------|------|-------|------|
| | | | | | |
| | | | | | |
| | | | | | |



- Technical Datasheet:
1. Structure: TP+LCM Frame Bonding
 2. Cover Glass: Tempered glass
 3. LCD: EV101WXM-N80
 4. TP Controller: BTP-TPM-CTR-ILI-101B
 5. TP Controller IC: ILI2511
 6. Surface Hardness: ≥6H
 7. Light Transmittance: ≥85%
 8. Unmarked Tolerance: ±0.5mm
 9. All materials used conform to RoHS standards

| | | | | | |
|---|-----------|---------------------|------------------|--------------------------------------|--------------|
| Part No. | | BTP-TMS-10.1-EV-R08 | | | |
| Product Name: | | Drawing No. | MS101220407R08 | | |
| 10.1 inch Touch Display (TP+LCM Frame bonding) | | Project Code. | MS101R08 | | |
| Business Unit: | | Period Mark | View Angle | Ratio | |
| SNT-BTP | | A | | 1:1 | |
| Workmanship: | | BOM Code | 2.22.101.02.0108 | Page 1 | Total 1 Page |
| Standardization: | Link.Chen | Product Series | BTP-TPA | 思诺泰科创电子(苏州)有限公司 SINOTECHNICS INC. | |
| Released by: | Rocky.Liu | | | | |