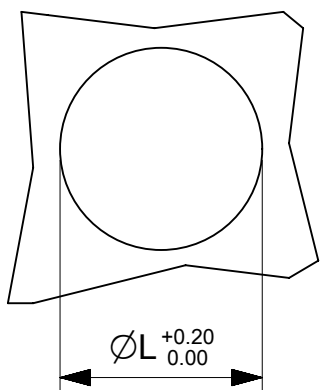


FORATURA PANNELLO  
PANEL DRILLING



ØL
mm
50.5

SYMBOLS	THIS DRAWING CONTAINS INFORMATION THAT IS PROPRIETARY TO MOLEX ELECTRONIC TECHNOLOGIES, LLC AND SHOULD NOT BE USED WITHOUT WRITTEN PERMISSION								
	DIMENSION UNITS	SCALE	CURRENT REV DESC:						
▽ = 0	mm	1:1	EC NO: 170943 DRWN: AKHEMIRI 2018/01/17 CHK'D: DMERONI 2018/01/17 APPR: AMELZI 2018/01/19 INITIAL REVISION: DRWN: AKHEMIRI 2018/01/11 APPR: AMELZI 2018/01/19						
▽ = 0	GENERAL TOLERANCES (UNLESS SPECIFIED)								
▽ = 0	ANGULAR TOL ± °								
▽ = 0	4 PLACES	±							
▽ = 0	3 PLACES	±							
▽ = 0	2 PLACES	±	DOCUMENT NUMBER <b>936000032</b>						
▽ = 0	1 PLACE	±			DOC TYPE	DOC PART			
▽ = 0	0 PLACES	±			PSD	000			
▽ = 0	DRAFT WHERE APPLICABLE MUST REMAIN WITHIN DIMENSIONS		FIRST ANGLE PROJECTION	DRAWING	SERIES	MATERIAL NUMBER	CUSTOMER	REVISION	SHEET NUMBER
▽ = 0				A4-SIZE	93600	936000032	GENERAL MARKET	A	1 OF 1

DOCUMENT STATUS	P1	RELEASE DATE	2018/01/19	12:05:50
-----------------	----	--------------	------------	----------