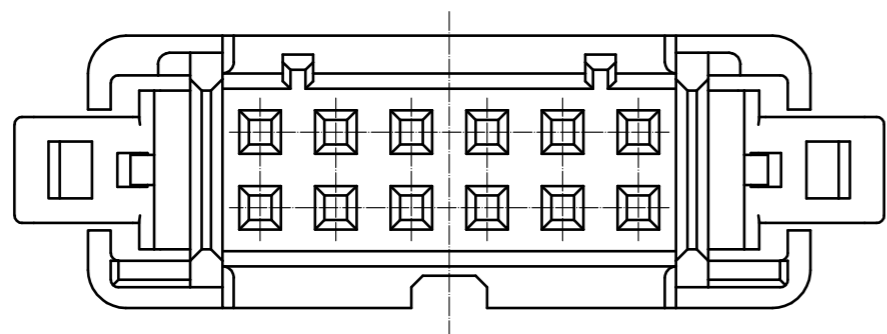
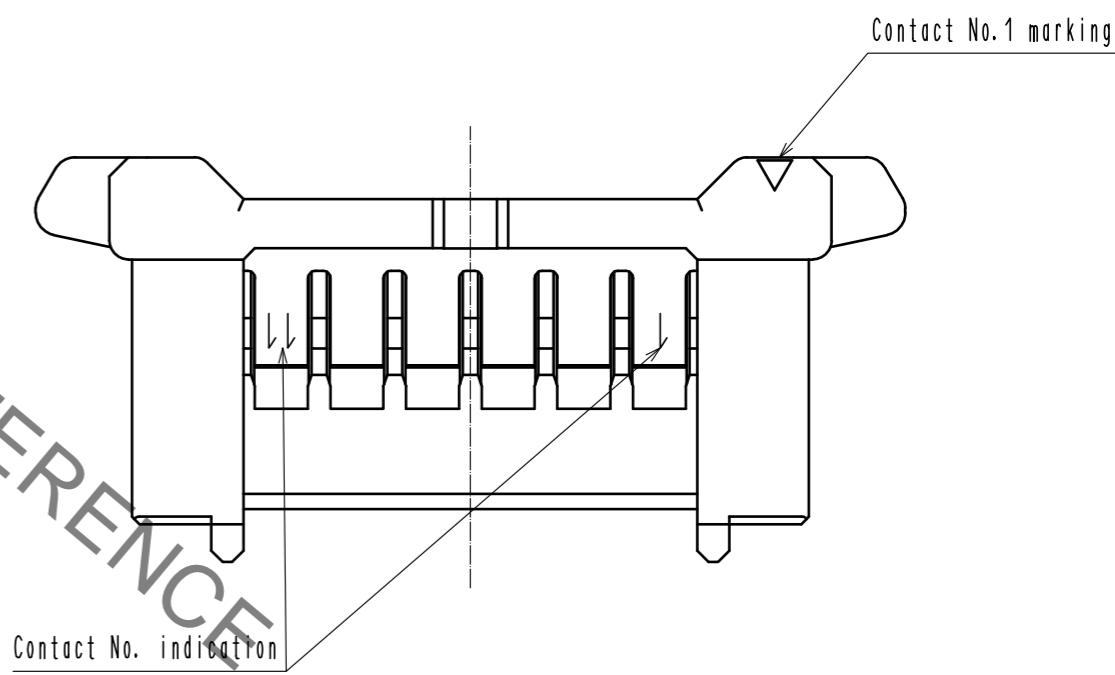
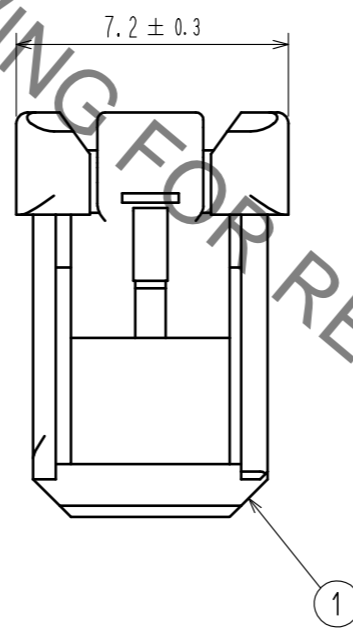
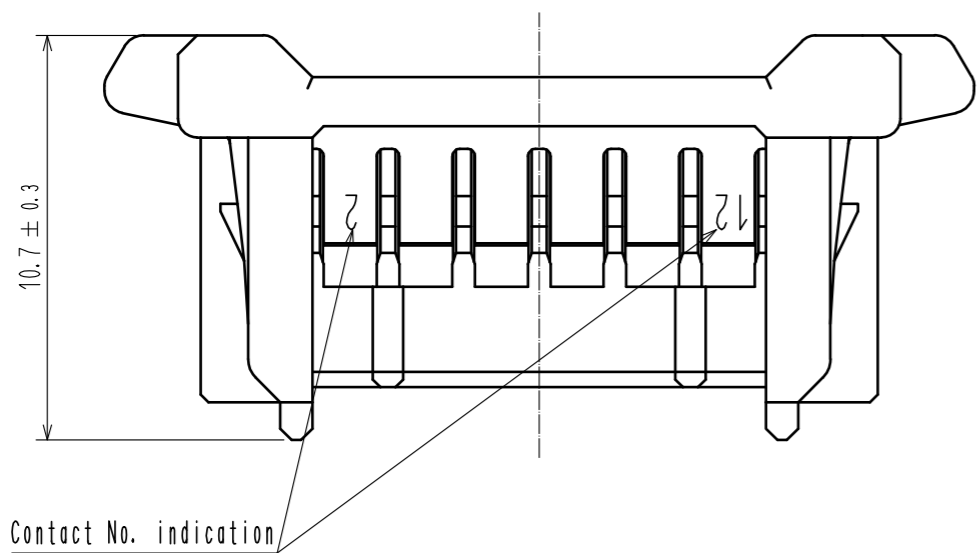
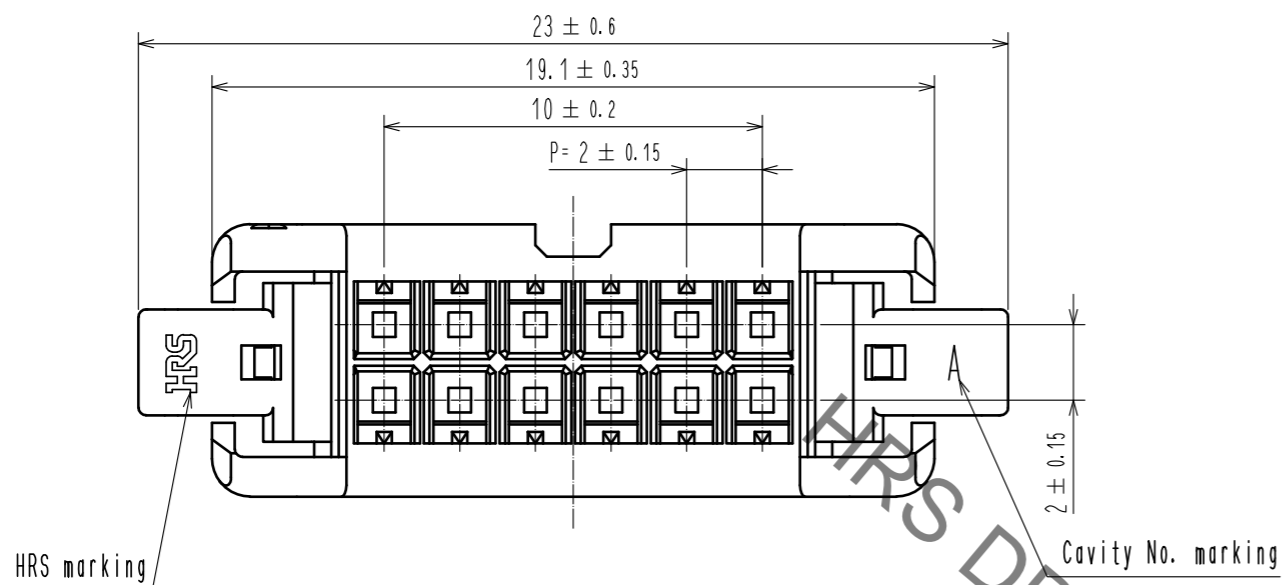


Feb.1.2020 Copyright 2020 HIROSE ELECTRIC CO., LTD. All Rights Reserved.
 In case of consideration for using Automotive equipment / device which demand high reliability, kindly contact our sales window correspondents.



Note 1. Per pack : 100 pieces.
 △ 2. UL(File No. E52653),
 C-UL(File No. E52653) authorization article.



NO.	MATERIAL	FINISH . REMARKS	NO.	MATERIAL	FINISH . REMARKS
			1	PBT	UL94V-0. BLACK
UNITS mm		SCALE 5 : 1	COUNT △ 1	DESCRIPTION OF REVISIONS DIS-H-00004451	DESIGNED TS. MIYAKI
HRS HIROSE ELECTRIC CO., LTD.		APPROVED : HS. OKAWA	20160707	DRAWING NO.	EDC-362058-00-00
		CHECKED : YN. TAKASHITA	20160707	PART NO.	DF51-12DS-2C
		DESIGNED : TT. OHSAKO	20160707	CODE NO.	CL543-5034-9-00
		DRAWN : TT. OHSAKO	20160707		△ 1/1