

PRODUCT DATASHEET

S01.01.02.130 _ NOBEL-D31-1-30

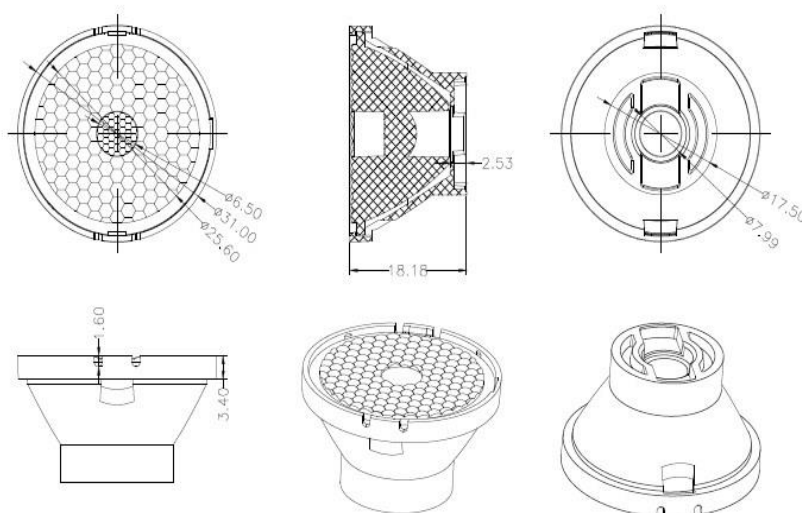
1.General Information

- ✓ Material : PMMA VH001
- ✓ Size : D31 (mm)
- ✓ FWHM : 30
- ✓ Design LED : SOLDER LED PACKAGE 7575
- ✓ Compatible LED size : N/A
- ✓ Efficiency : 93%
- ✓ Fasten : Glue
- ✓ IP class : N/A
- ✓ Accessories : Conical Holder With Clamp Led Hole
- ✓ RoHS : YES
- ✓ Surface : Bead



2.MECHANICAL SPECIFICATION

UNIT:MM



3.OPTICAL DATA

1) Simulation Data

LED model : SOLDER LED PACKAGE 7575

Light colour : White

FWTM : H57.7°,V58.1°

FWHM : H28.3°,V28.3°

