

NOTE: UNLESS OTHERWISE SPECIFIED

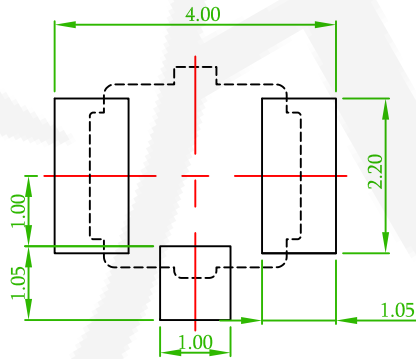
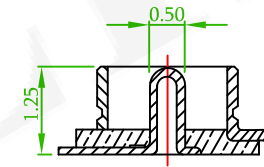
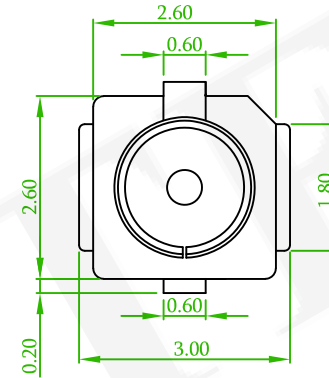
1. DIMENSION SHALL BE INTERPRETED PER ANSI Y14.5M-1994.
2. CONTACT RETENTION FORCE: 0.4 N MIN.
3. CONTACT MATERIAL: COPPER ALLOY.
4. INSULATOR: HIGH TEMPERATURE PLASTIC UL94 V-0.
5. CONTACT FINISH: GOLD PLATED 3u" Min. ON MATING AREAR.
GOLD FINSH 1u" Min. ON SHELL, ALL OVER 50u" Min. NICKEL UNDER PLATED.
6. ALL MATERIAL MEET RoHS SPECIFICATION AND IN CONFORMITY WITH REACH & SVHC STANDARD STIPULATIONS.
7. PRODUCT FOR 6GHz

ORDER INFORMATION 

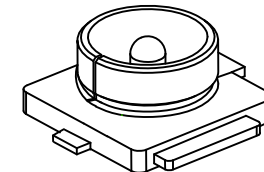
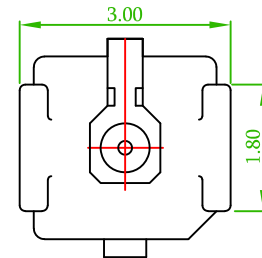
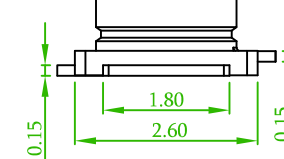
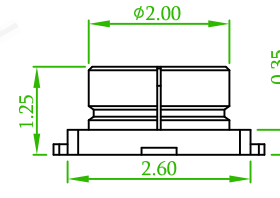
6 2 I P X M 0 1 - F 5 G 0 W G 0 1







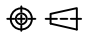
3	GROUND PAD	METAL SHELL, GOLD/BRIGHT GOLD PLATING	1
2	CENTER PIN	CENTER CNT, GOLD/BRIGHT GOLD PLATING	1
1	HOUSING	OVER MOLD HOUSING, LCP, IVORY, UL94V-0	1
ITEM	PART NUMBER	DESCRIPTION	Q'TY

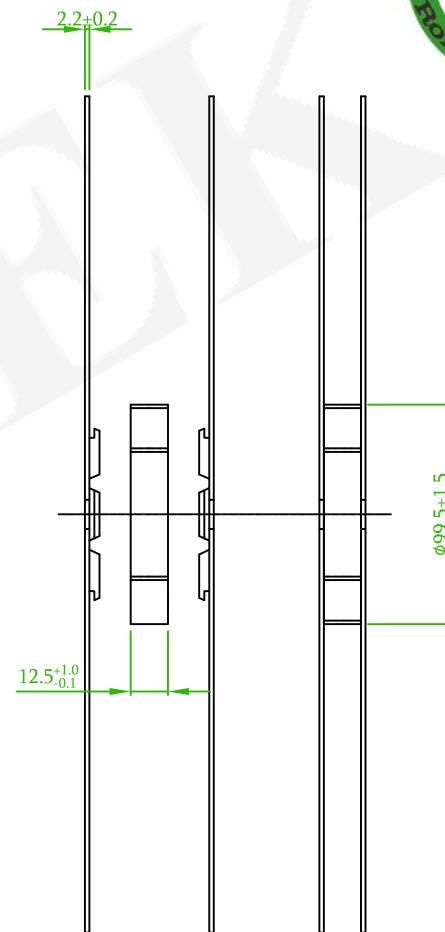
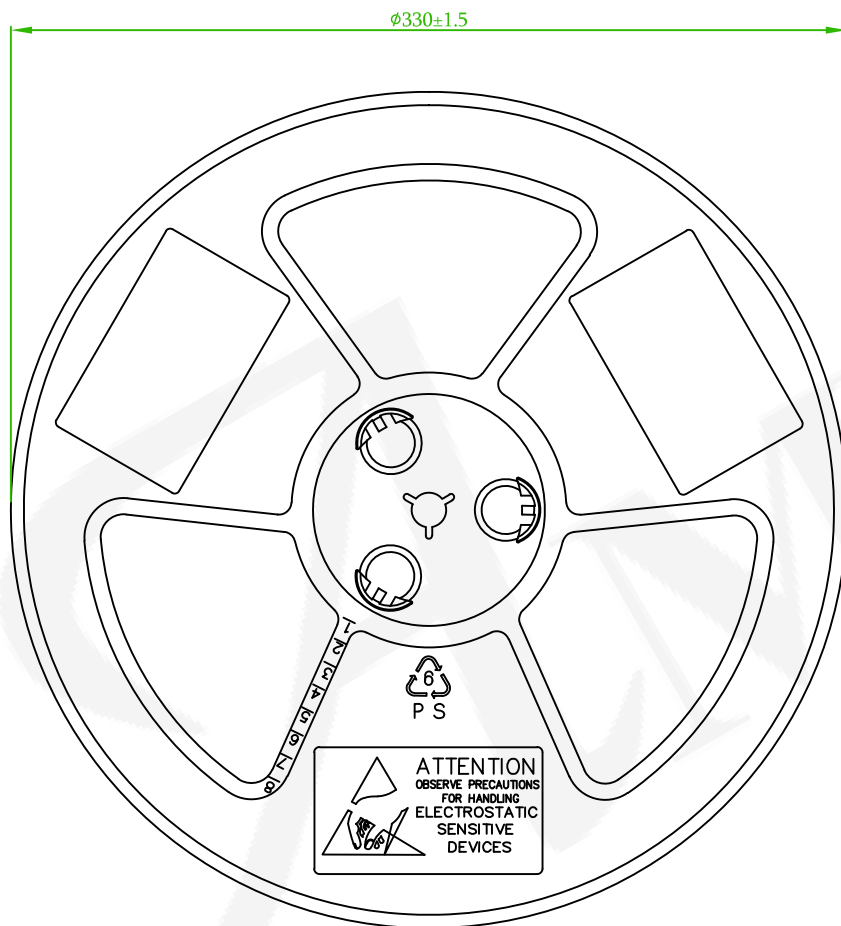


RECOMMENDED PCB LAYOUT



 x1	Revise the Tape-Reel drawing	Benson	2020/01/06
 x1	Revise the Tape-Reel drawing	Roy	2018/07/23
 x1	Add the Tape-Reel drawing	Mia	2018/07/17
REV.	ECN NO. OR DESCRIPTION	REVISED	DATE

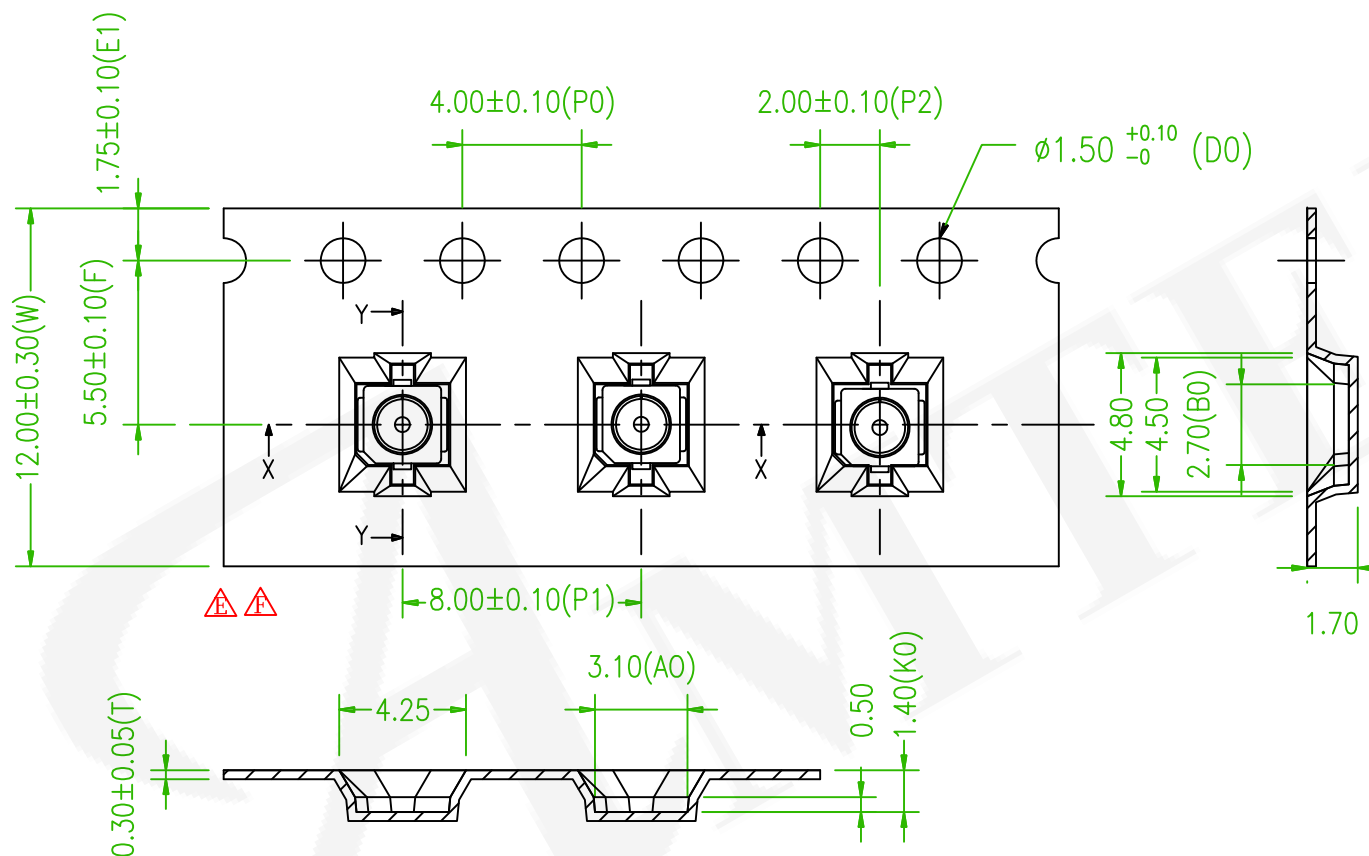
 糧德精密有限公司 Amtek Technology Co., Ltd. TEL: 886-2-2260-6878 FAX: 886-2-2260-8030	品名 TITLE	RF HEADER(UFL)				頁數 Page	1/3
	品號 PART NO.	△ 62IPXM01-F5G0WG01				繪圖 DRAWN	Roy 2016/09/05
	圖號 DRAWING NO.	GW195-MC484	版本 REV.	F	核對 CHECKED	Jonny 2016/09/05	
	客戶品號 CUSTOMER P/N		比例 SCALE	None	承認 APPROVED	Aaron 2016/09/05	
	公差 TOLERANCE	.X ± 0.15 .XX ± 0.10	X°. ± 1°	單位 UNIT	mm	THIRD ANGLE PROJECTION	



Δ x1	Revise the Tape-Reel drawing	Benson	2020/01/06
Δ x1	Revise the Tape-Reel drawing	Roy	2018/07/23
Δ x1	Add the Tape-Reel drawing	Mia	2018/07/17
REV.	ECN NO. OR DESCRIPTION	REVISED	DATE

耀德精密有限公司
 Amtek Technology Co., Ltd.
 TEL: 886-2-2260-6878
 FAX: 886-2-2260-8030

品名 TITLE	RF HEADER(UFL)				頁數 Page	2/3
品號 PART NO.	Δ 62IPXM01-F5G0WG01			繪圖 DRAWN	Roy 2016/09/05	
圖號 DRAWING NO.	GW195-MC484	版本 REV.	F	核對 CHECKED	Jonny 2016/09/05	
客戶品號 CUSTOMER P/N		比例 SCALE	None	承認 APPROVED	Aaron 2016/09/05	
公差 TOLERANCE	.X \pm 0.15 .XX \pm 0.10	X° \pm 1°	單位 UNIT	mm	THIRD ANGLE PROJECTION	



1. All dimensions in millimetres unless otherwise stated
2. Packing Conforms EIA-481-D Standards.
3. Material: Transparent Polystyrene.
4. Packing length for 22" reel: 375.0 Meters
6. Component load per 13" reel: 5000 pcs

	Revise the Tape-Reel drawing	Benson	2020/01/06
	Revise the Tape-Reel drawing	Roy	2018/07/23
	Add the Tape-Reel drawing	Mia	2018/07/17
REV.	ECN NO. OR DESCRIPTION	REVISED	DATE

耀德精密有限公司
 Amtek Technology Co., Ltd.
 TEL: 886-2-2260-6878
 FAX: 886-2-2260-8030

品名 TITLE	RF HEADER(UFL)				頁數 Page	3/3
品號 PART NO.	62IPXM01-F5G0WG01			繪圖 DRAWN	Roy 2016/09/05	
圖號 DRAWING NO.	GW195-MC484	版本 REV.	F	核對 CHECKED	Jonny 2016/09/05	
客戶品號 CUSTOMER P/N		比例 SCALE	None	承認 APPROVED	Aaron 2016/09/05	
公差 TOLERANCE	.X ± 0.15 .XX ± 0.10	X°. ± 1°	單位 UNIT	mm	THIRD ANGLE PROJECTION	