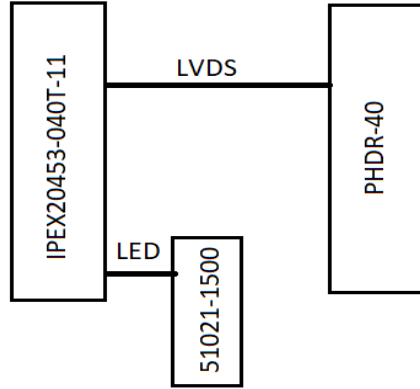


Part number	LVDS-IPEX20453-040T-11-PHDR-40-51021-1500-400
Type	LVDS cable
Description	LVDS cable for G101EVN03.0 and THV65, CON1= IPEX20453-040T-11 , CON2= PHDR-40, CON3=51021-1500 length= 400 mm
Length	400 mm
Connector 1	IPEX20453-040T-11
Connector 2	PHDR-40
Connector 3	51021-1500

Connector 1	
IPEX20453-040T-11	
1	
2	Vcc
3	Vcc
4	Vcc
5	
6	
7	
8	DA0-
9	DA0+
10	GND
11	DA1-
12	DA1+
13	GND
14	DA2-
15	DA2+
16	GND
17	CLK-
18	CLK+
19	GND
20	DA3-
21	DA3+
22	GND
23	GND
24	
25	VOUT
26	VOUT
27	VOUT
28	
29	LB3
30	LB3
31	LB3
32	LB2
33	LB2
34	LB2
35	LB1
36	LB1
37	LB1
38	
39	GND
40	GND



Connector 3	
51021-1500	
1	LB3
2	
3	
4	
5	
6	LB2
7	VOUT
8	VOUT
9	VOUT
10	LB1
11	
12	
13	
14	
15	

Connector 2	
PHDR-40	
1	
2	
3	
4	
5	
6	
7	
8	
9	Vcc
10	Vcc
11	
12	
13	GND
14	GND
15	GND
16	GND
17	DA3-
18	DA3+
19	CLK-
20	CLK+
21	DA2-
22	DA2+
23	DA1-
24	DA1+
25	DA0-
26	DA0+
27	GND
28	GND
29	
30	
31	
32	
33	
34	
35	
36	
37	
38	
39	
40	

