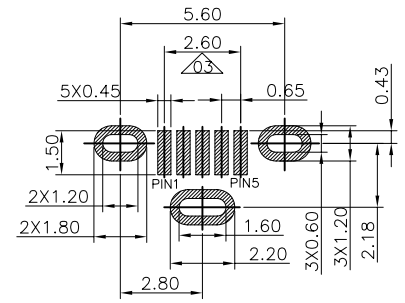
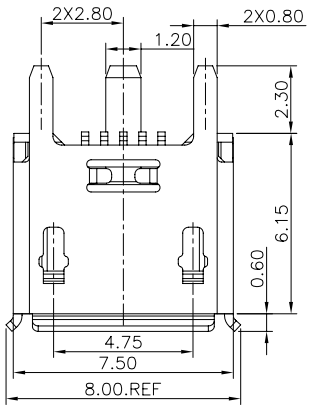
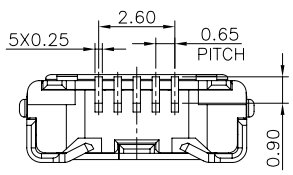
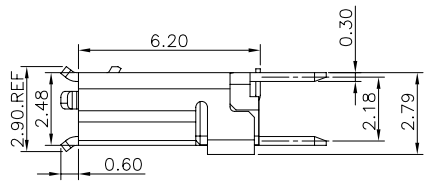
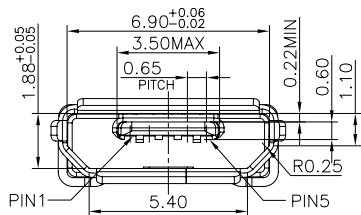


REV.	LOCAS.	DESCRIPTION	DATE	DRAWN
01	NEW	BATCH PRODUCTION INITIAL RELEASE.	2018.05.15	李全燊
02		增加CAP包装	2018.06.06	李全燊
03		PCB, LAYOUT标注错误, 变更与产品尺寸一致	2018.11.29	李全燊



RECOMMENDED PCB LAYOUT(TOP VIEW)
GENERAL TOLERANCES:±0.05



NOTE:

- MATERIAL SPECIFICATION:
 - HOUSING:LCP; UL94 V-0 BLACK.
 - CAP:LCP; UL94 V-0 BLACK.
 - CONTACTS: BRASS .
 - FRONT SHELL: STAINLESS STEEL
 - PLATING SPECIFICATION:
 - CONTACTS:
 - Ni 50u" MIN. UNDER PLATED OVER ALL.
 - Au1u"MIN PLATED ON THE FUNCTIONAL AREA OF CONTACT.
 - FRONT SHELL:
 - Ni 30u" MIN. UNDER PLATED OVER ALL.
 - MECHANICAL PERFORMANCE,
 - INSERTION FORCE: 3.5Kgf MAX
 - REMOVAL FORCE: 0.8kgf MIN
 - DURABILITY: 10000 CYCLES.
 - ELECTRICAL PERFORMANCE,
 - CURRENT RATING:
 - VBUS & GND PINS: 1.8A MAX.
 - OTHER PINS: 0.5A MAX.
 - INSULATION RESISTANCE: 100MΩ MIN
 - DIELECTRIC WITHSTAND VOLTAGE,AC 100V FOR 1 MINUTE.
- All materials must meet GREENCONN hazardous substances control standards.

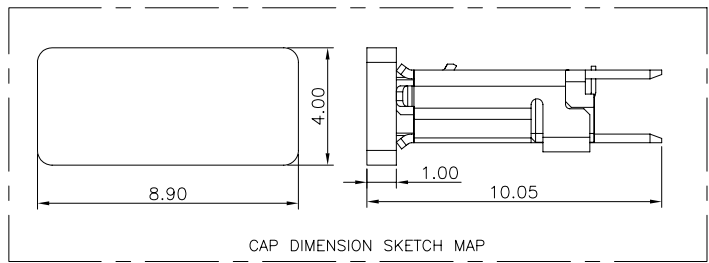
Ordering Information

C UZC118 - 05 XX A 001 C X Z X-C8

Standard Plating
02=Gold Flash
Selective Plating
05=Gold Flash/Tin

Color
1=Black

Standard Packing
D=Tape&Reel
Selective Packing
F=Tape&Reel+CAP



PIN	NAME
5	GND
4	ID
3	D+
2	D-
1	VBUS

格菱股份有限公司
Greenconn Corporation

GENERAL TOLERANCE	
X.°±	X.±
.X°±	.X±0.30
.XX°±	.XX±0.25
.XXX°±	.XXX±0.10

DESIGNED: 李全燊
CHECKED: MARK
APPROVED: 方秋香

DATE: 2018.11.29
DATE: 2018.11.29
DATE: 2018.11.29

DWG. NO.
CUZC118-CA1CZ
PART NO.
CUZC118-05XXA001CXZX-C8

TITLE.
MICRO USB 5P 直立式
SMT有翻边外壳3支脚

REV.	UNIT.	SCALE.	PAGE.
03	mm	1:1	1/1