

This documents is for reference, dimensions are subject to change.

ALL RIGHTS OF THE PROJECT STRICTLY RESERVED TO DINAMICA GENERALE. REPRODUCTION OR ISSUE TO THIRD PARTIES IN ANY FORM WHATEVER IS, NOT PERMITTED WITHOUT WRITTEN AUTHORIZATION FROM DINAMICA GENERALE

INPUT +	RED
INPUT -	BLACK
OUTPUT +	GREEN
OUTPUT -	WHITE

SPECIFICATIONS	STATIC	MOBILE
RATED LOAD (LBS)	13559	9039
RATED LOAD (Kg)	6150	4100
RATED OUTPUT (mV/V)	1.45	0.96

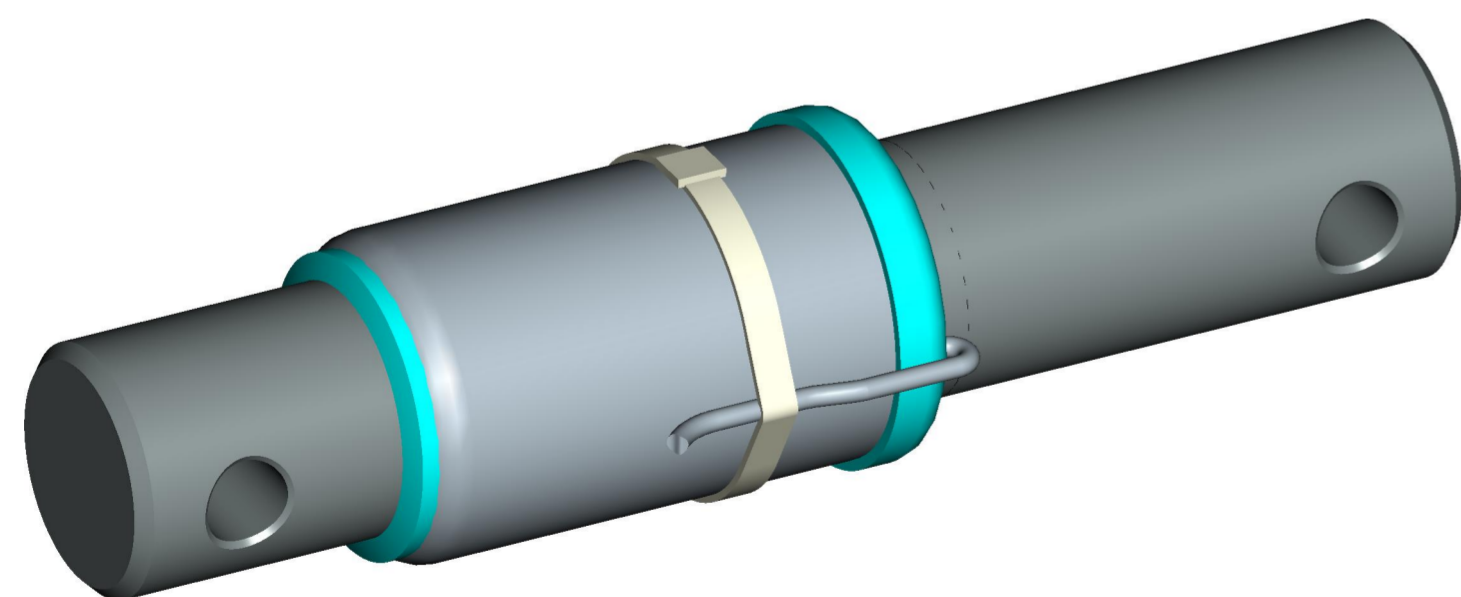
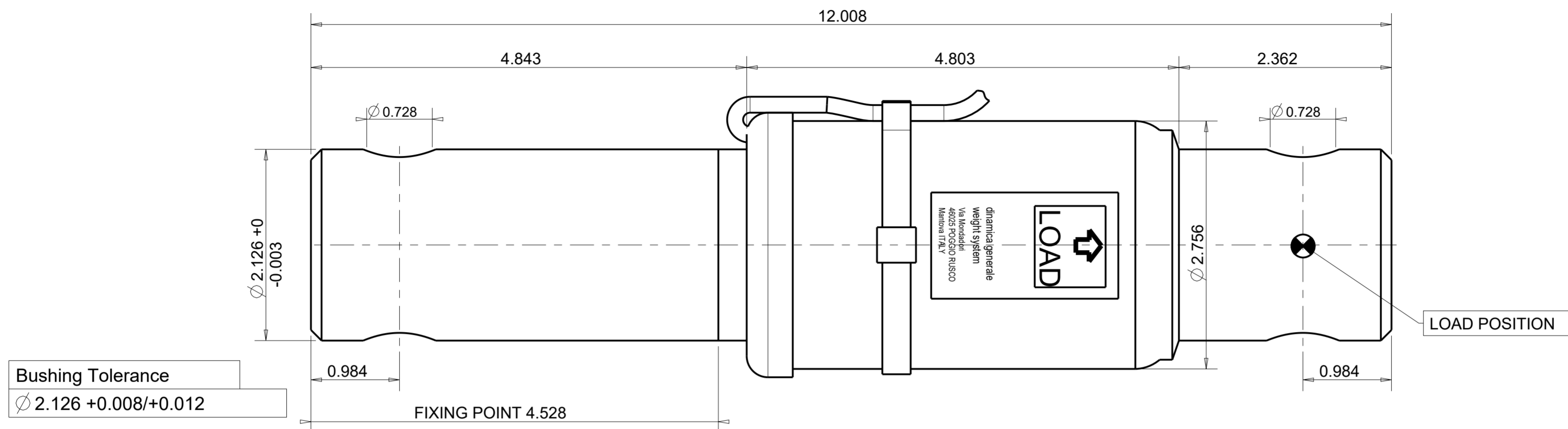
PART CODE	CABLE LENGHT		CABLE TERMINATION
	FT	m	
969-0248	21.3	6.5	Wires

SEE DOCUMENT DGCG01 FOR ADDITIONAL CABLE INFORMATIONS
SEE DOCUMENT DGMG01 FOR ADDITIONAL MOUNTING GUIDELINES

REV.	MOD.N.	DATE	SIGNATURE	DESCRIPTION	SCALE
C	A2	11/10/16	M.B.	Agg. fdm 234-16	A2
B	A1	24/02/16	M.B.	Agg. fdm 39/16	
A	A0	10/11/11	M.B.	Emissione disegno	
UNSPECIFIED TOLLERANCES					
± 0.5					
ROUGHNESS					
*REFER TO ORIGINAL DRAWING IF SIGNATURE ARE PRINTED					
DESCRIPTION Cella MOBILE DG8500/54-AB C=6,5m-BC_DG					
CODE 969-0248				REV. A2	THE COPY OF THIS DRAWING MUST BE APPROVED BY DINAMICA GENERALE

DINAMICA GENERALE
Weight Systems
46025 Poggio Rusco (MN)
Via Mondadori, 15
Tel. ++39 0386.52134
Fax ++39 0386.51523

MEASURES EXPRESSED IN INCHES



This documents is for reference, dimensions are subject to change.

ALL RIGHTS OF THE PROJECT STRICTLY RESERVED TO DINAMICA GENERALE. REPRODUCTION OR ISSUE TO THIRD PARTIES IN ANY FORM WHATEVER IS, NOT PERMITTED WITHOUT WRITTEN AUTHORIZATION FROM DINAMICA GENERALE

INPUT +	RED
INPUT -	BLACK
OUTPUT +	GREEN
OUTPUT -	WHITE

SPECIFICATIONS	STATIC	MOBILE
RATED LOAD (LBS)	13559	9039
RATED LOAD (Kg)	6150	4100
RATED OUTPUT (mV/V)	1.45	0.96

PART CODE	CABLE LENGHT		CABLE TERMINATION
	FT	m	
969-0248	21.3	6.5	Wires

SEE DOCUMENT DGCG01 FOR ADDITIONAL CABLE INFORMATION
SEE DOCUMENT DGMG01 FOR ADDITIONAL MOUNTING GUIDELINES

REV.	MOD.N.	DATE	SIGNATURE	DESCRIPTION	SCALE	UNSPECIFIED TOLLERANCES	
C	A2	11/10/16	M.B.	Agg. fdm 234-16	1/2	± 0.02	
B	A1	24/02/16	M.B.	Agg. fdm 39/16			
A	A0	10/11/11	M.B.	Emissione disegno			
				*DRAWN	*CHECKED	*APPROVED	
				DATE	10/11/2011	10/11/2011	10/11/2011
				SIGNATURE	M.BRESCIANI	A.ZENNARO	M.GILLI
				WEIGHT [lbs]	11.799		*REFER TO ORIGINAL DRAWING IF SIGNATURE ARE PRINTED
				DESCRIPTION			ROUGHNESS
				Cella MOBILE DG8500/54-AB C=6,5m-BC_DG			
				CODE	969-0248	REV.	A2
				THE COPY OF THIS DRAWING MUST BE APPROVED BY DINAMICA GENERALE			

DINAMICA GENERALE
Weight Systems
46025 Poggio Rusco (MN)
Via Mondadori, 15
Tel. ++39 0386.52134
Fax ++39 0386.51523