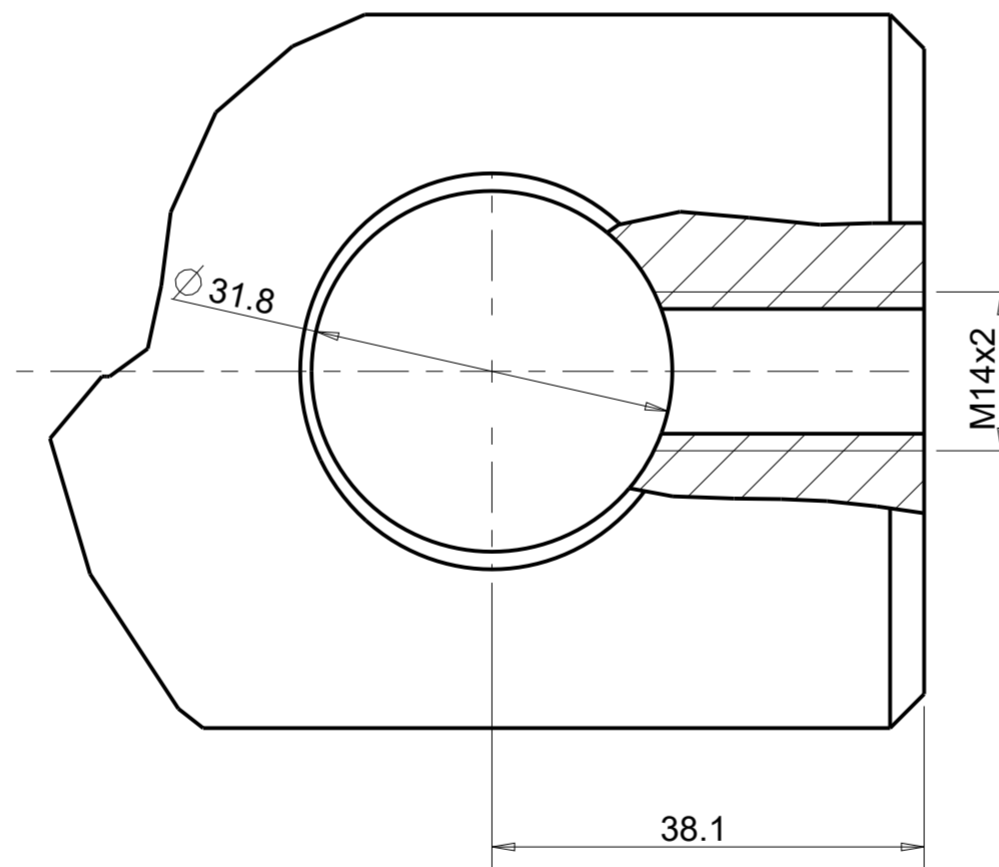
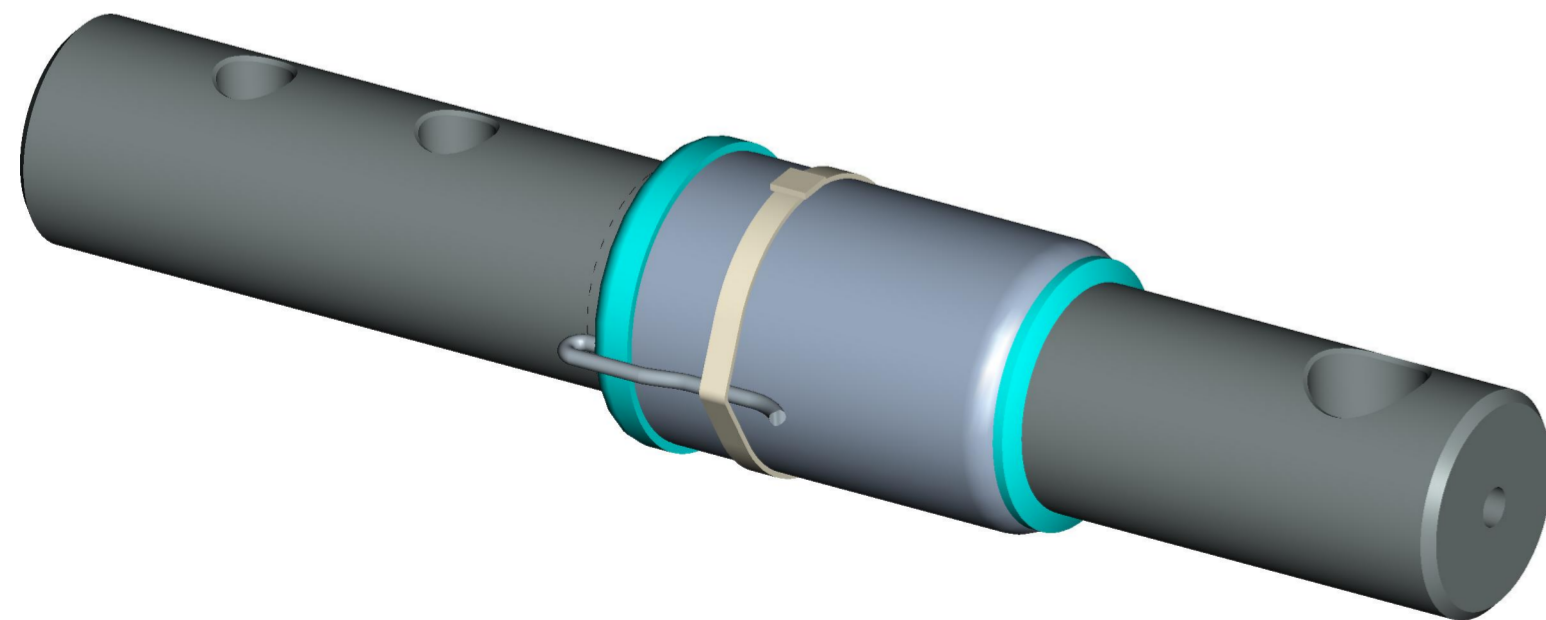


Bushing Tolerance

$\varnothing 63 +0.2/+0.3$



DETTAGLIO A
SCALA 3/2



This documents is for reference,
dimensions are subject to change.

ALL RIGHTS OF THE PROJECT STRICTLY
RESERVED TO DINAMICA GENERALE.
REPRODUCTION OR ISSUE TO THIRD
PARTIES IN ANY FORM WHATEVER IS,
NOT PERMITTED WITHOUT WRITTEN
AUTHORIZATION FROM DINAMICA GENERALE

INPUT +	RED
INPUT -	BLACK
OUTPUT +	GREEN
OUTPUT -	WHITE

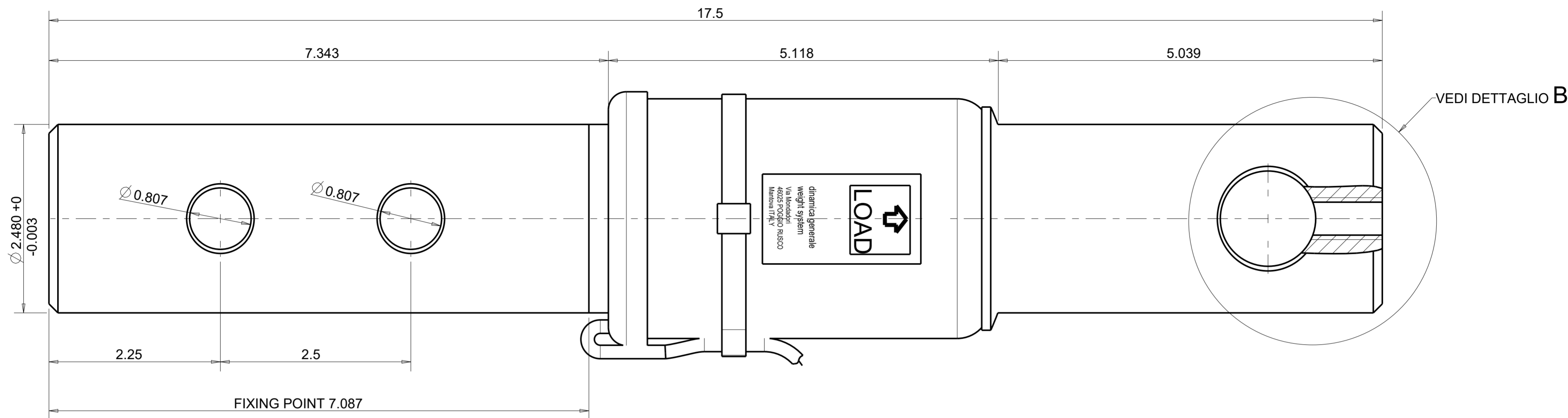
SPECIFICATIONS	STATIC	MOBILE
RATED LOAD (LBS)	18187	12125
RATED LOAD (Kg)	8250	5500
RATED OUTPUT (mV/V)	0.79	0,53

PART CODE	CABLE LENGHT		CABLE TERMINATION
	FT	m	
969-0068	35.1	10.7	SPM

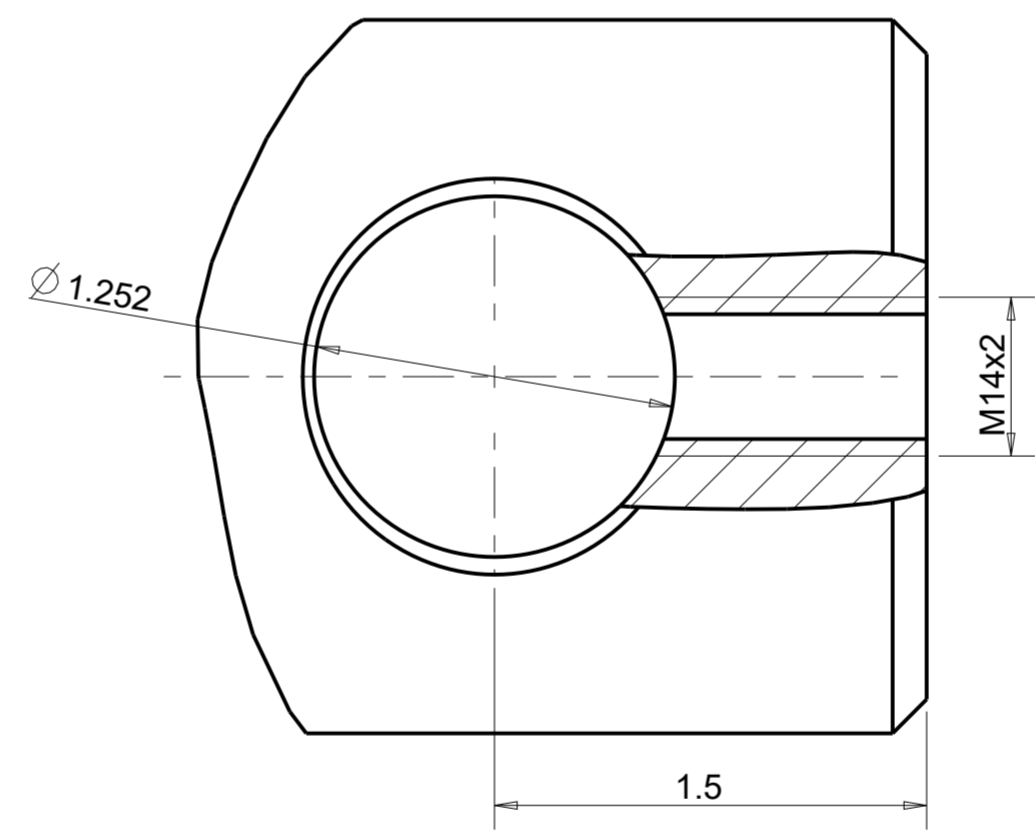
REV.	MOD.N.	DATE	SIGNATURE	DESCRIPTION	SCALE	A2	
E	A5	11/05/17	M.B.	Sostituzione codice cavo L=10.7m	1/1		A2
D	A4	22/09/16	M.B.	Agg. fdm 215_16			
C	A3	29/10/14	M.B.	Aggiornamento protettivi	UNSPECIFIED TOLLERANCES	± 0.5	
B	A2	05/05/08	M.B.	Inserita scheda universale			
A	A1	19/09/07	M.B.	Ridisegnato e aggiornato	ROUGHNESS		
				*DRAWN	*CHECKED	*APPROVED	
				DATE	19/09/2007	19/09/2007	19/09/2007
				SIGNATURE	M.BRESCIANI	A. BARBI	A. BARBI
				WEIGHT [kg]	10.457		*REFER TO ORIGINAL DRAWING IF SIGNATURE ARE PRINTED
				DESCRIPTION			
				MOBILE Load Cell DG21200/63-AG C=10,7m + SPM			
				CODE	969-0068	REV.	A5
				THE COPY OF THIS DRAWING MUST BE APPROVED BY DINAMICA GENERALE			


DINAMICA GENERALE
Weight Systems
46025 Poggio Rusco (MN)
Via Mondadori, 15
Tel. ++39 0386.52134
Fax ++39 0386.51523

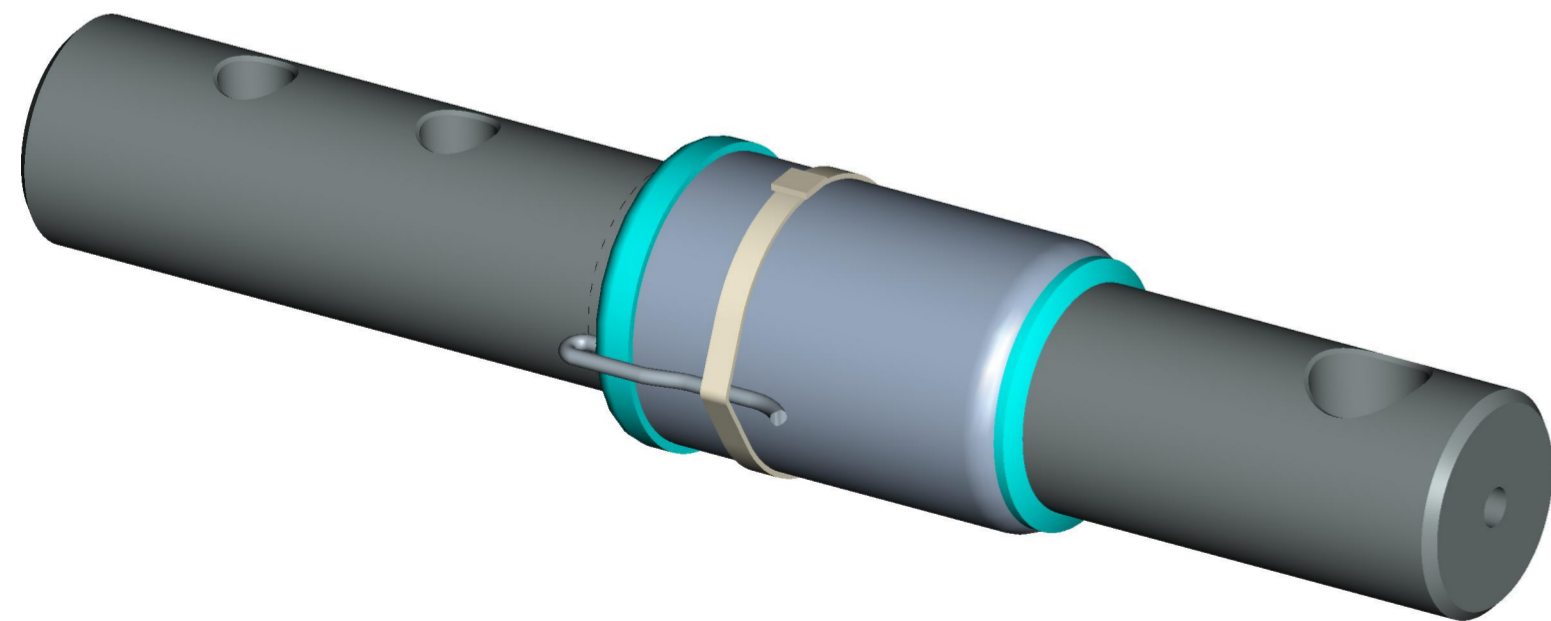
MEASURES EXPRESSED IN INCHES



Bushing Tolerance
 $\varnothing 2.48 +0.008/+0.012$



DETTAGLIO B
 SCALA 3/2



This documents is for reference, dimensions are subject to change.

ALL RIGHTS OF THE PROJECT STRICTLY RESERVED TO DINAMICA GENERALE. REPRODUCTION OR ISSUE TO THIRD PARTIES IN ANY FORM WHATEVER IS, NOT PERMITTED WITHOUT WRITTEN AUTHORIZATION FROM DINAMICA GENERALE

INPUT +	RED
INPUT -	BLACK
OUTPUT +	GREEN
OUTPUT -	WHITE

SPECIFICATIONS	STATIC	MOBILE
RATED LOAD (LBS)	18187	12125
RATED LOAD (Kg)	8250	5500
RATED OUTPUT (mV/V)	0.79	0,53

PART CODE	CABLE LENGHT		CABLE TERMINATION
	FT	m	
969-0068	35.1	10.7	SPM

REV.	MOD.N.	DATE	SIGNATURE	DESCRIPTION	SCALE
E	A5	11/05/17	M.B.	Sostituzione codice cavo L=10.7m	A2
D	A4	22/09/16	M.B.	Agg. fdm 215_16	
C	A3	29/10/14	M.B.	Aggiornamento protettivi	
B	A2	05/05/08	M.B.	Inserita scheda universale	
A	A1	19/09/07	M.B.	Ridisegnato e aggiornato	
UNSPECIFIED TOLLERANCES					1/1
SIGNATURE					± 0.5
WEIGHT [lbs]					ROUGHNESS
DESCRIPTION					
CODE					

DINAMICA GENERALE
 Weight Systems
 46025 Poggio Rusco (MN)
 Via Mondadori, 15
 Tel. ++39 0386.52134
 Fax ++39 0386.51523

*DRAWN: 19/09/2007
 *CHECKED: 19/09/2007
 *APPROVED: 19/09/2007
 M.BRESCIANI, A. BARBI, A. BARBI
 WEIGHT [lbs]: 23.054
 *REFER TO ORIGINAL DRAWING IF SIGNATURE ARE PRINTED
 DESCRIPTION: MOBILE Load Cell DG21200/63-AG C=10,7m + SPM
 CODE: 969-0068
 REV: A5
 THE COPY OF THIS DRAWING MUST BE APPROVED BY DINAMICA GENERALE