

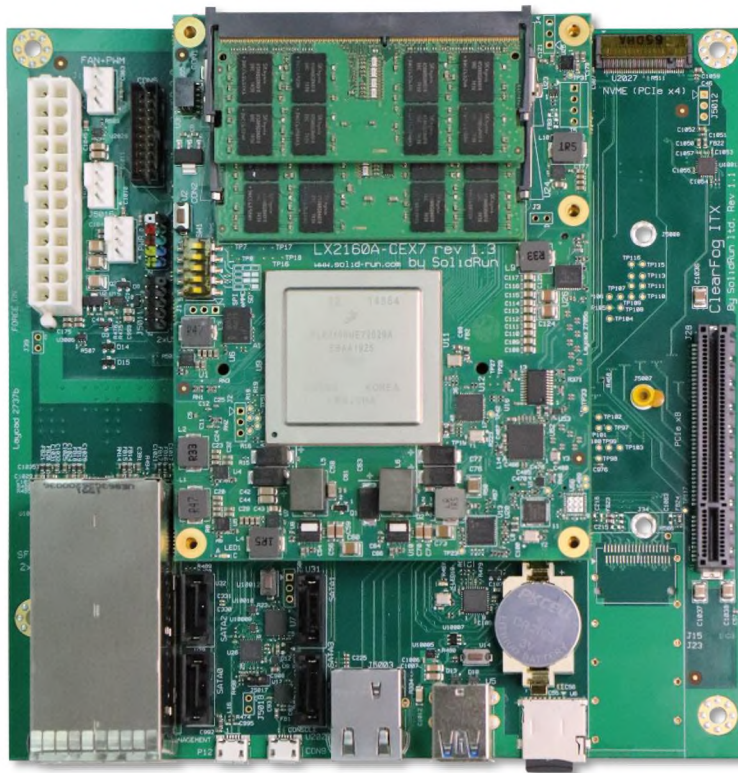


HoneyComb

Powered by SolidRun

HoneyComb LX2K Datasheet

NXP Layerscape LX2160A based Arm Workstation



Overview

Introducing [HoneyComb LX2K](#) cutting-edge Arm workstation – designed for native Arm development and demanding computing and networking needs.

HoneyComb is based on NXP's Layerscape 16 core LX2160A Arm Cortex A72 processor, and features 2 x SFP+ (10GbE each), dual channel DDR4 SO-DIMM RAM (up to 64GB), 3 x USB 3.0 and 3 x USB 2.0, 4 x SATA, 64GB on-board eMMC, M.2, PCIe x8 open slot (can support x16), and much more.

HoneyComb Highlighted Features

- ✿ NXP's Layerscape LX2160A 16-core Cortex Arm A72 (2GHz) processor
- ✿ Dual-channel DDR4 SO-DIMM (up to 64GB)
- ✿ 4 x SFP+ (10GbE each)
- ✿ Mini ITX form factor supporting easy mounting in a wide range of cases, enclosures and tower configurations

System Specifications

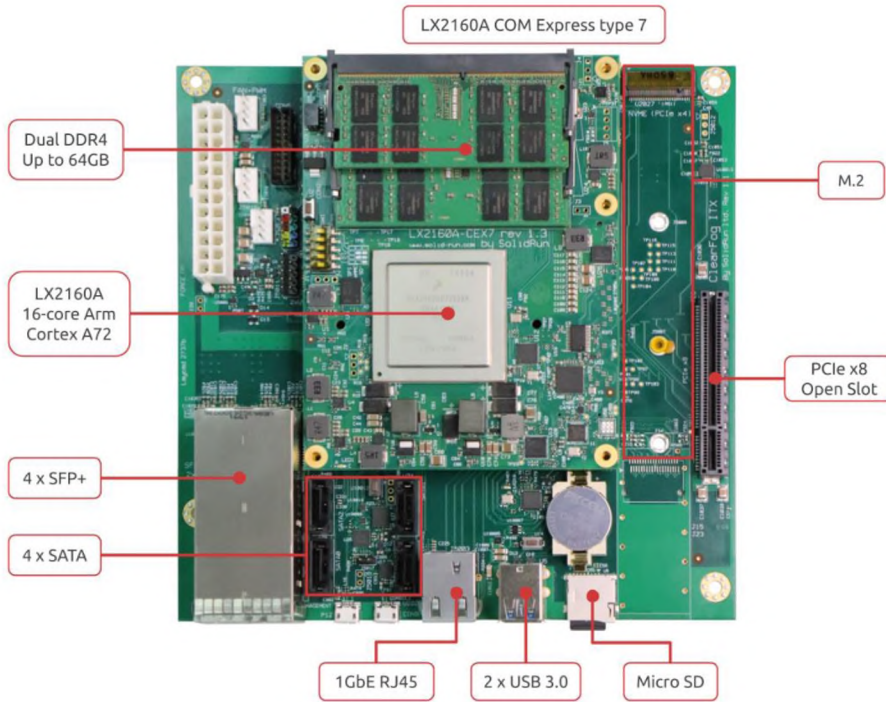
HoneyComb LX2K											
Processor	NXP LX2160A 16-core Cortex Arm A72 (up to 2Ghz)										
Memory & Storage	Up to 64GB DDR4 SO-DIMM (dual channel) M.2 2240/2280 MicroSD 4 x SATA 3.0 eMMC										
Connectivity & Interfaces	4 x SFP+ ports (2x2) 1 x 1GbE (RJ45) 3 x USB 2.0 3 x USB 3.0 1 x PCIe x8 (open slot)										
I/O	MicroUSB for debug (UART over USB) USB to STM32 for remote management										
OS	Linux kernel 4.14x Mainline Linux										
Cooling	CPU air-cooled with heatsink + fan configuration										
Power	ATX Standard										
Environment	<table border="1"> <tbody> <tr> <td>Ambient temp. (commercial):</td> <td>0°C to 70°C</td> </tr> <tr> <td>CPU die temp. (commercial):</td> <td>0°C to 105°C</td> </tr> <tr> <td>Ambient temp. (industrial):</td> <td>-40°C to 85°C</td> </tr> <tr> <td>CPU die temp. (industrial):</td> <td>-40°C to 105°C</td> </tr> <tr> <td colspan="2">Humidity (non-condensing): 10% - 90%</td> </tr> </tbody> </table>	Ambient temp. (commercial):	0°C to 70°C	CPU die temp. (commercial):	0°C to 105°C	Ambient temp. (industrial):	-40°C to 85°C	CPU die temp. (industrial):	-40°C to 105°C	Humidity (non-condensing): 10% - 90%	
Ambient temp. (commercial):	0°C to 70°C										
CPU die temp. (commercial):	0°C to 105°C										
Ambient temp. (industrial):	-40°C to 85°C										
CPU die temp. (industrial):	-40°C to 105°C										
Humidity (non-condensing): 10% - 90%											
Dimensions (WxL)	170mm X 170mm										
Enclosure	Not included Supports mini ITX form factor enclosures										

Available SKUs for HoneyComb LX2K

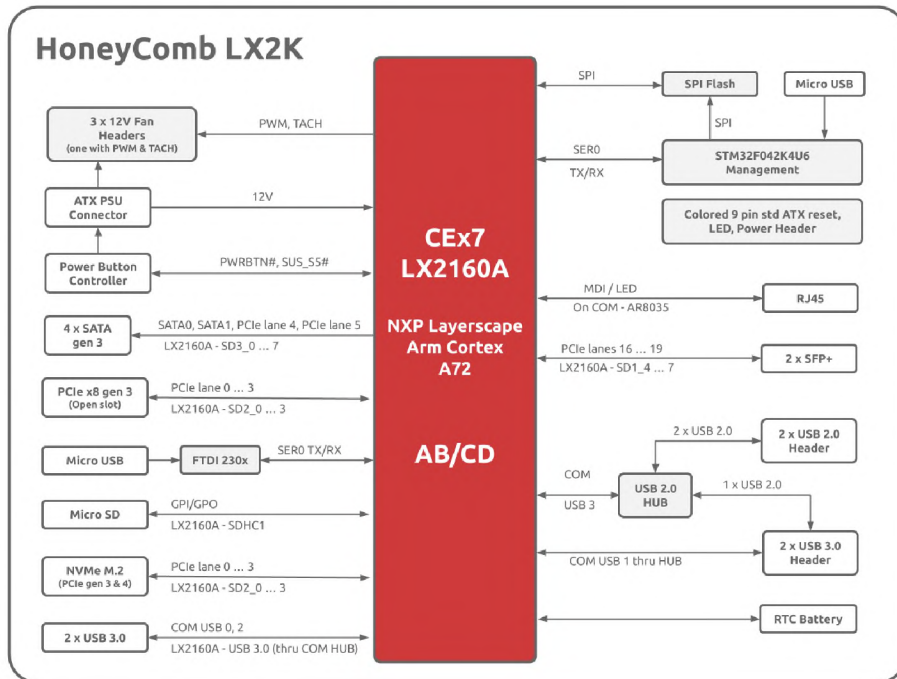
SKU	Description
SRLX216S00D00GE064H02CH	HoneyComb LX2K 64GB eMMC Com. Temp R0.2

(*) Different configurations available for MOQ

HoneyComb LX2K Layout



HoneyComb LX2K Block Diagram



Safety Notice

- a. This device is to be used with Certified Power adaptor with output rated 12VDC, 1.5A. Power adapter must meet Limited power source (LPS) requirements.
- b. Power adapter must meet local safety standards and requirements based on product intended use.
- c. Power adapter must meet Operating environment conditions as specified above.

Disposal

Follow local regulations regarding disposal of the product. Dispose of your product in accordance with local regulations. In some areas, the disposal of these items in household or business trash may be prohibited.

Help us protect the environment- recycle!

IMPORTANT NOTICE – Please Read Carefully

No warranty of accuracy is given concerning the contents of the information contained in this document. To the extent permitted by law no liability (including liability to any person by reason of negligence) will be accepted by SolidRun Ltd. or its employees for any direct or indirect loss or damage caused by omissions from or inaccuracies in this document.

SolidRun Ltd. reserves the right to change details in this publication without notice Product and company names herein may be the trademarks of their respective owners.

Information in this document supersedes and replaces information previously supplied in any prior versions of this document.

Support

For technical support please visit:

Our developer resources – <https://developer.solid-run.com/>

For direct support please contact us at: support@solid-run.com

Documentation

Additional documentation available at:

<https://developer.solid-run.com/products/honeycomb-lx2k/>