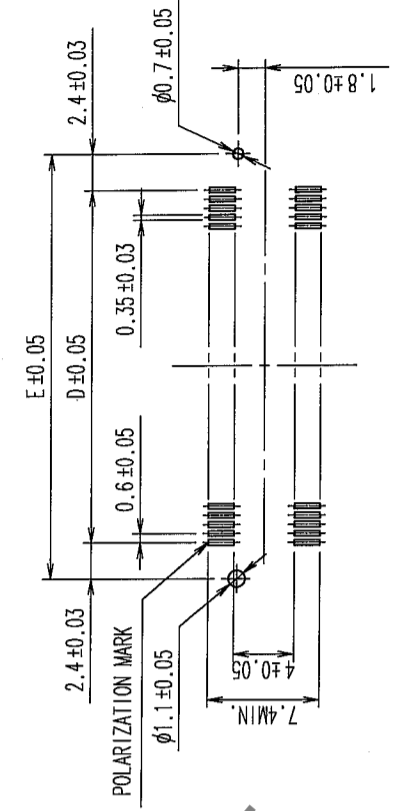


COUNT	DESCRIPTION OF REVISIONS	BY	CHKD	DATE	COUNT	DESCRIPTION OF REVISIONS	BY	CHKD	DATE
3	RE-F-09671	K.N	H.Y	04.04.08					
1	DIS-F-000293	K.D	H.O	05.07.28					

RECOMMENDED LAND PATTERN DIMENSION OF P.C.B. (MOUNTING SIDE)



DIMENSION TABLE OF CONNECTOR AND P.C.B. LAND PATTERN.

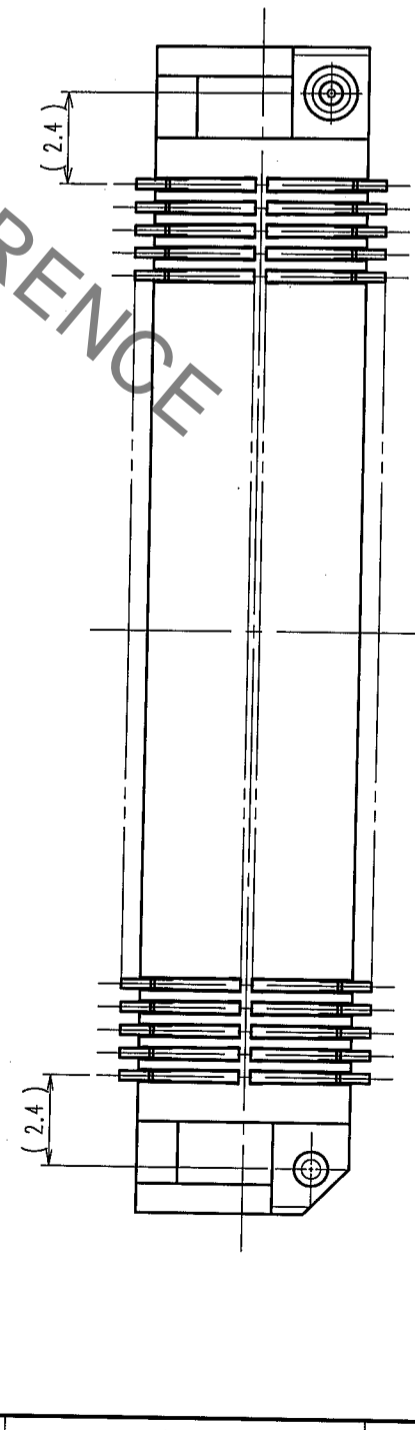
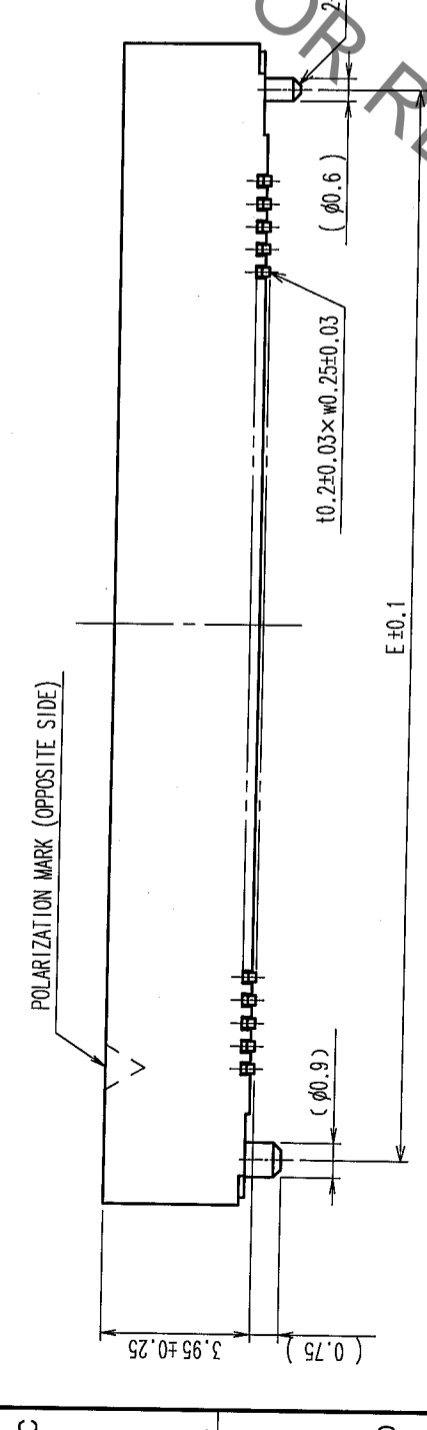
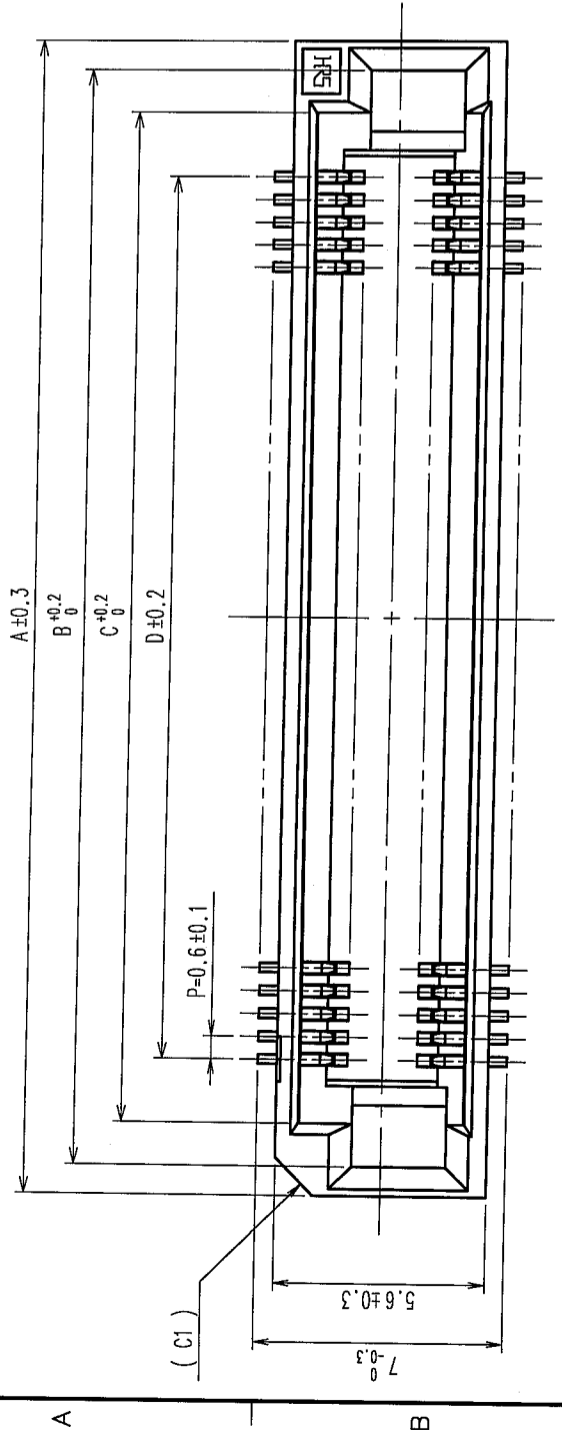
PART No.	CODE No.	6	7	A	B	C	D	E
FX8C-60S-SV(93)	CL578-0801-2-93	60	X	24.60	23.05	20.80	17.40	22.20
FX8C-80S-SV(93)	CL578-0803-8-93	80	X	30.60	29.05	26.80	23.40	28.20
FX8C-100S-SV(93)	CL578-0805-3-93	100	X	36.60	35.05	32.80	29.40	34.20
FX8C-120S-SV(93)	CL578-0806-6-93	120	-	42.60	41.05	38.80	35.40	40.20
FX8C-140S-SV(93)	CL578-0807-9-93	140	-	48.60	47.05	44.80	41.40	46.20

- NOTE 1. LEAD CO-PLANARITY SHALL BE 0.1mm MAX.  
 2. EMBOSSED CARRIER TAPE PACKAGING SHALL BE APPLIED TO THIS PRODUCT. SEE NEXT PAGE FOR DETAILS.  
 3. THIS PRODUCT HAS TAPE FOR VACUUM PICKUP. SEE NEXT PAGE FOR DETAIL OF STICKING POSITION, ETC.  
 4. FOR MODIFICATION, ETC., PREVENTIVE HOLE FOR SINK MARK MAY BE ADDED ACCORDING TO CIRCUMSTANCES.  
 5. THE DIMENSIONS IN PARENTHESES ARE FOR REFERENCE.
- 6 NUMBER OF CONTACTS.  
 7 EXISTENCE  
 X: PRODUCED, -: NO PRODUCED

1	PPS	LIGHT BROWN (UL94V-0)	2	PHOSPHOR BRONZE	CONTACT AREA: GOLD 0.1μm min. LEAD AREA: GOLD FLASH UNDER PLATING: NICKEL 0.5μm min.
NO.	MATERIAL	FINISH, REMARKS	NO.	MATERIAL	FINISH, REMARKS

DRAWING NO. EDC3-151022-23		PART NO. FX8C-**-S-SV(93)	
SCALE FREE	DRAWN S.SUZUKI	DESIGNED K.NAKAMURA	CHECKED H.OKAWA
UNITS mm	03.02.07	03.02.17	03.02.18
CODE NO. (OLD) CL		APPROVED Y.YOSHIMURA	
CL		RELEASED	

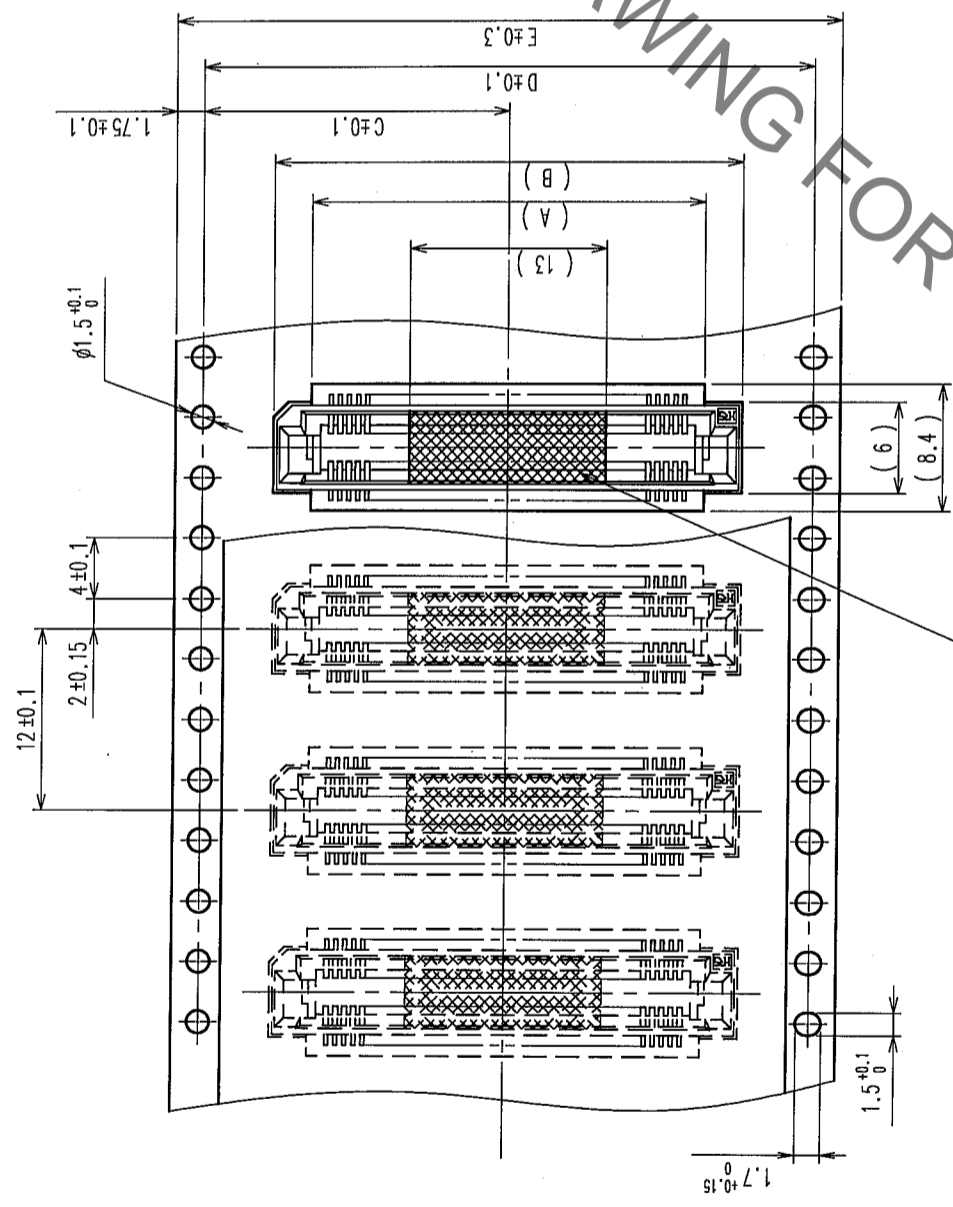
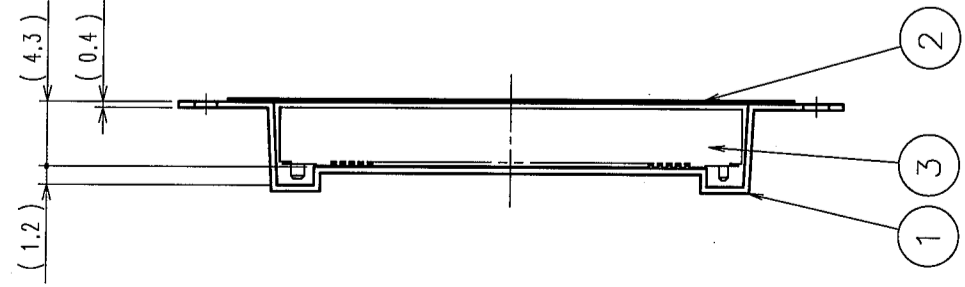
HIROSE ELECTRIC CO., LTD		CL578	
CODE NO.		1/2	



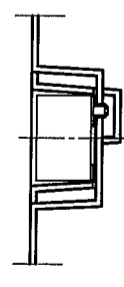
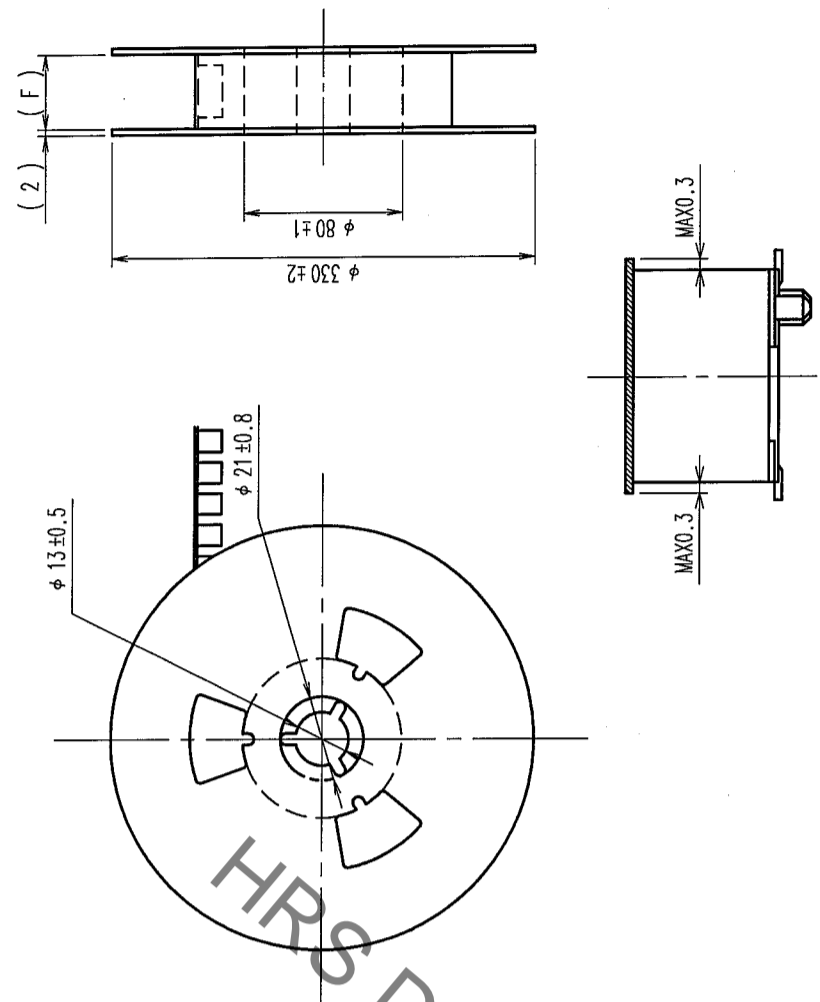
TO	
PCK	

HRS DRAWING FOR REFERENCE

COUNT	DESCRIPTION OF REVISIONS	BY	CHKD	DATE	COUNT	DESCRIPTION OF REVISIONS	BY	CHKD	DATE
△					△				
△					△				
△					△				



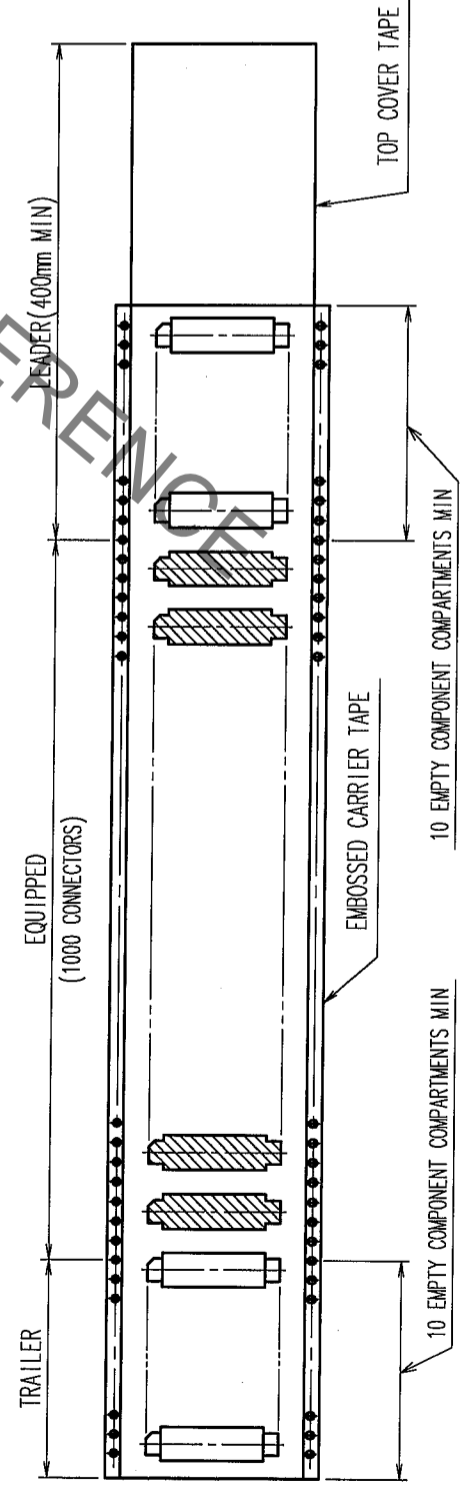
REEL DIMENSION



DETAIL OF TAPE FOR VACUUM PICKUP(5:1)

△ DIMENSION TABLE OF EMBOSSED CARRIER TAPE AND REEL.

PART No.	CODE No.	2	3	A	B	C	D	E	F
FX8C-60S-SV(93)	CL578-0801-2-93	60	X	20	25	20.2	40.4	44	44.4
FX8C-80S-SV(93)	CL578-0803-8-93	80	X	26	31	20.2	40.4	44	44.4
FX8C-100S-SV(93)	CL578-0805-3-93	100	X	32	37	26.2	52.4	56	56.4
FX8C-120S-SV(93)	CL578-0806-6-93	120	-	38	43	26.2	52.4	56	56.4
FX8C-140S-SV(93)	CL578-0807-9-93	140	-	44	49	34.2	68.4	72	72.4



TO	
PCK	

NOTE  
 1. 1 REEL : 1000 CONNECTORS  
 2. NUMBER OF CONTACTS  
 3. EXISTENCE  
 X : PRODUCED, - : NO PRODUCED

2	POLYESTER	(TOP COVER TAPE)	4	POLYIMIDE	(TAPE FOR VACUUM PICKUP)
1	PS	(EMBOSSED CARRIER TAPE)	3		(CONNECTOR)
NO.	MATERIAL	FINISH, REMARKS	NO.	MATERIAL	FINISH, REMARKS
CODE NO. (OLD) CL					
DRAWN		DESIGNED		APPROVED	
S.SUZUKI		K.NAKAMURA		Y.YOSHIMURA	
03.02.07		03.02.17		03.02.18	
03.02.07		03.02.17		03.02.19	
DRAWING NO. EDC3-151022-23			PART NO. FX8C-**-S-SV(93)		
SCALE FREE			CODE NO.		
UNITS mm			CL578		