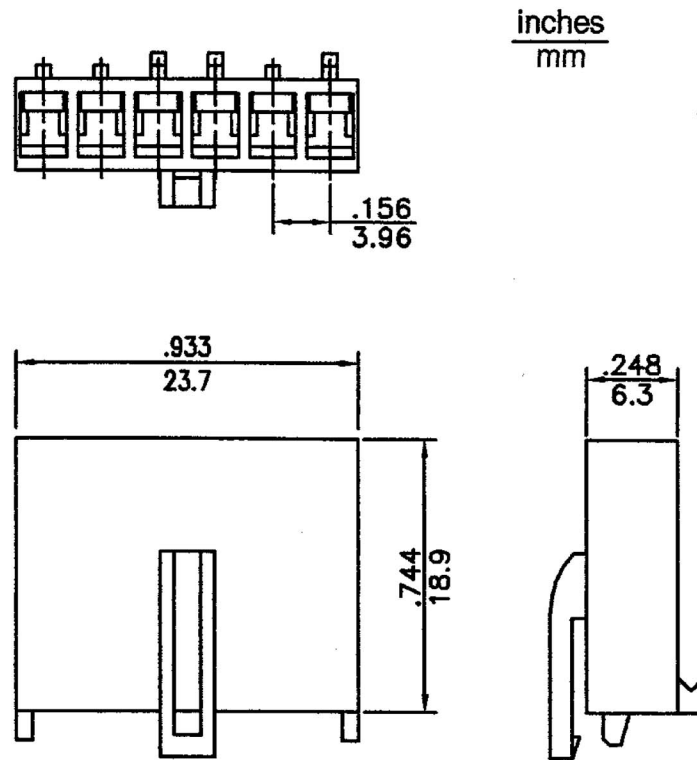


- * Poles:6
 - * Material:NYLON 66 UL94V-2 White
 - * Mates with W2460 -06,12 series wafer
- Specifications**
- * Current rating: 7A AC, DC
 - * Voltage rating: 250V AC, DC
 - * Temperature range: -25°C~+85°C
 - * Insulation resistance: 1,000MΩ min.
 - * Withstand voltage: 1500V AC/minute



RoHS Compliant		HSM 玄茂科技股份有限公司	
		HSUAN MAO TECHNOLOGY CO., LTD.	
APPD. 核准	 SCALE 比例 参考	TOLERANCE 容許公差	PART NAME 品名
DWG. 製圖		UNIT 單位	
DATE 制表日	PAGE 張數	REV. 版次	PART NO. 料號
Hedy	M M	A 4	3.96mm HOUSING 6P WHITE COLOR ROHS LOW-LEAD
2010/11/26	1 / 1	A	H2450-06PW0000R