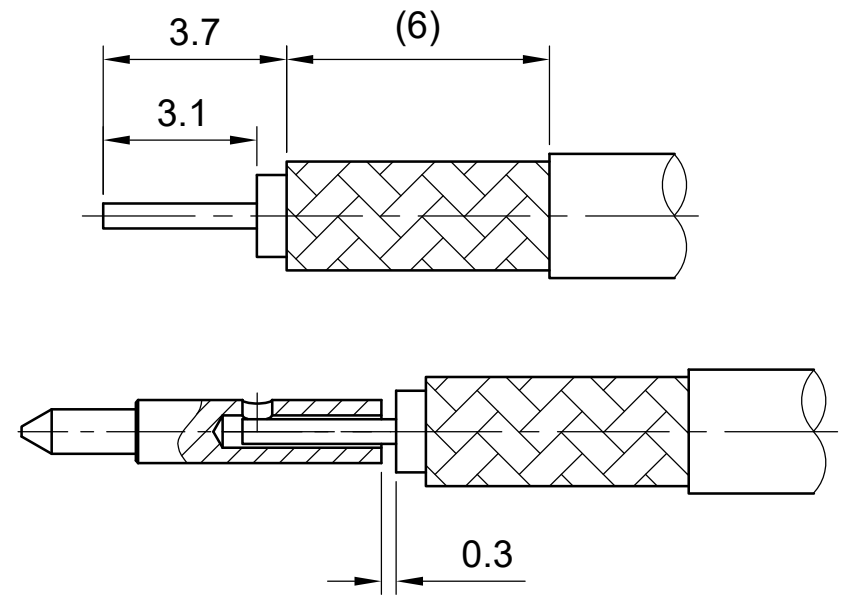
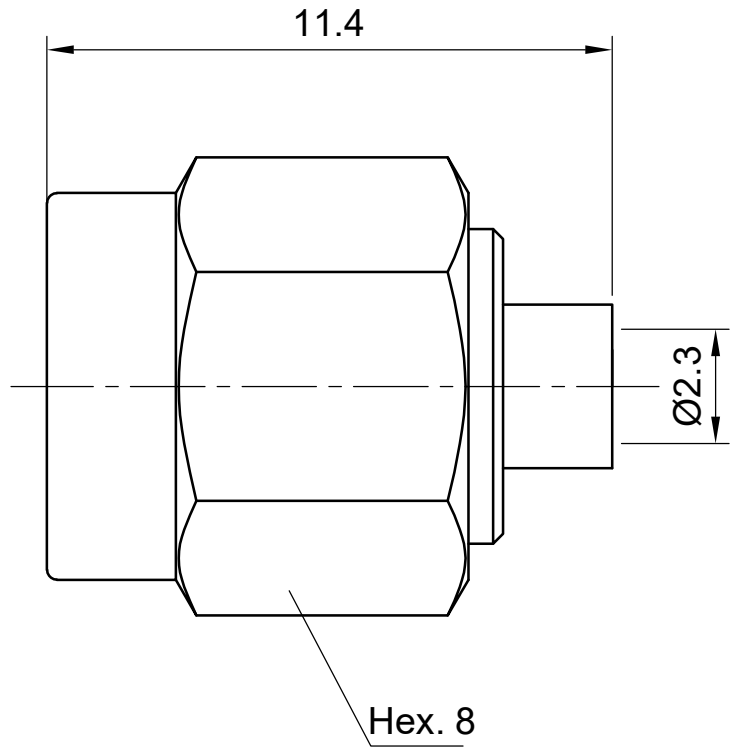


REV	Revision Note	DATE	DRAWN	APPROVED



Recommended wire stripping size

NOTES:

1. Temperature range: -45~+125°C;
2. Characteristic impedance: 50Ω;
3. Frequency range: DC~8.5GHz;
4. Dielectric withstanding voltage: 500V rms;
5. Insulation resistance: ≥1000MΩ;
7. VSWR: ≤1.25(DC~8.5GHz);
8. Durability: 500 cycles;
9. Salt spray: 96h;
10. RoHs compliant.

NO.	Description	Material	Finish	Q'TY
4	Nut	Brass	Gold	1
3	Body	Brass	Gold	1
2	Insulators	Teflon		1
1	Center Contact	Brass	Gold	1

		TITLE: SMA-JB2		
		PART No. 21B00691410	REF. P/N #1_SMA-50-2-15/111 NE	A SCALE
GENERAL TOLERANCE		Designed ZJ.Dong	FIT	
>120~400 ±1.0	Ang	Checked ZJ.Dong	SHEET 1/1	
>30~120 ±0.6	UNITS: mm	Approved ZB.Bai	REV	
>6~30 ±0.4		Date 2025.04.03	A	
0.5~6 ±0.2	Materials and Surface Treatment			