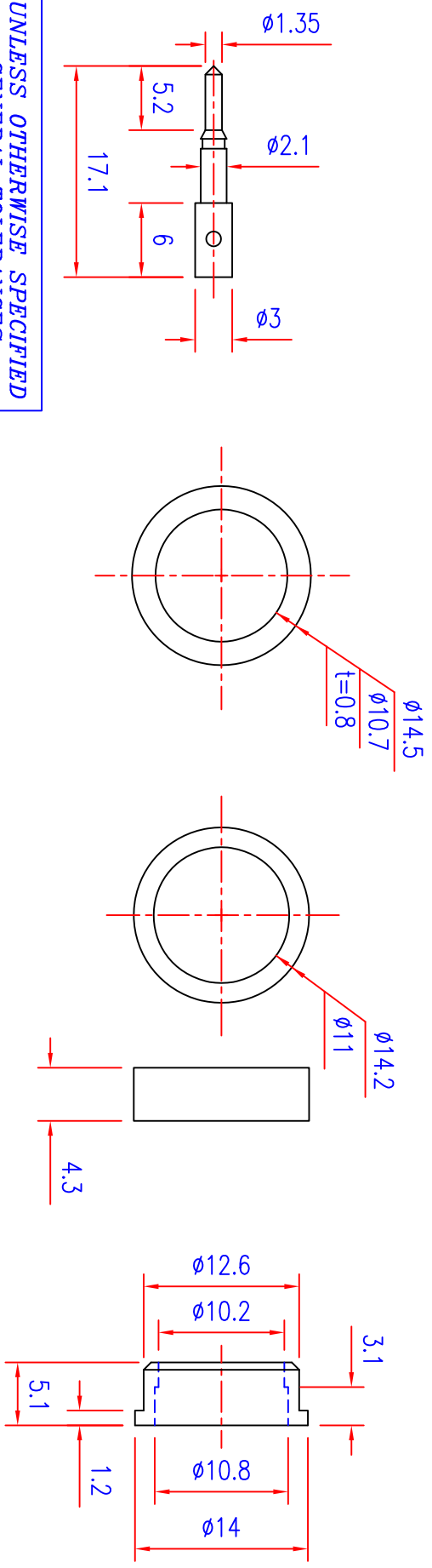
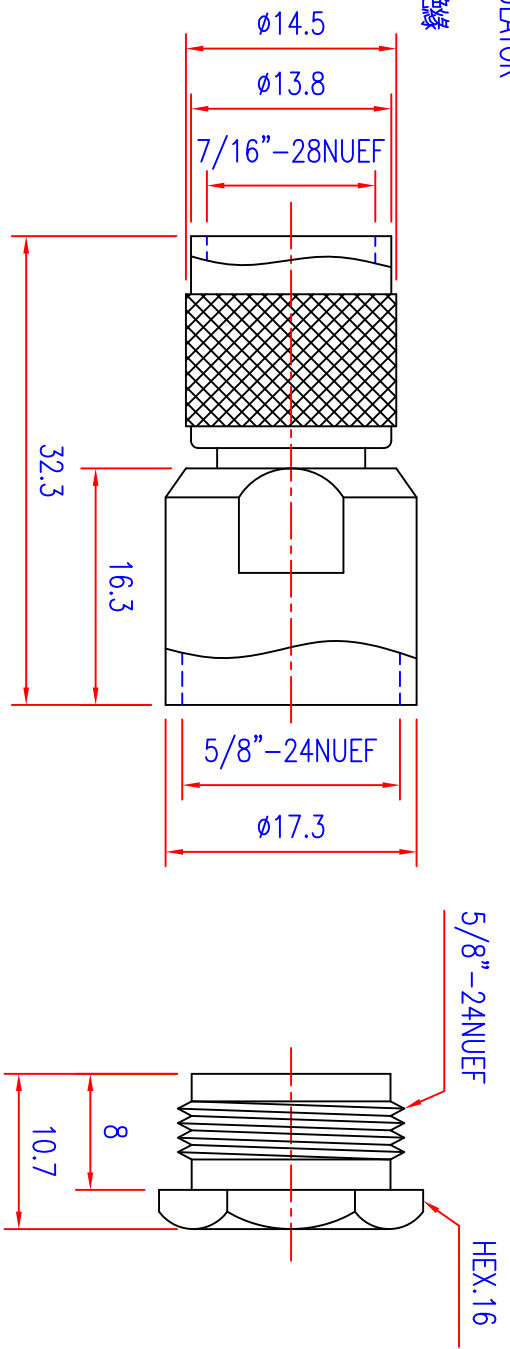


SPECIFICATION  
 TNC MALE CONNECTOR  
 CLAMP TYPE , RG214 , DELRIN INSULATOR  
 NICKEL PLATED  
 TNC $\Delta$ , CLAMP TYPE , RG214 , 塑膠絕緣  
 本體鍍鎳, 接觸點 : 鍍金



UNLESS OTHERWISE SPECIFIED  
 GENERAL TOLERANCES  
 0.5~6 =  $\pm 0.3$   
 >6~30 =  $\pm 0.6$   
 >30~120 =  $\pm 0.8$

NO.	DESCRIPTION	QTY	MATERIAL	SPECIFICATION	REMARK
DRAW BY	CHUN	092810	SCALE	1 : 2	ITEM NO. TL4593-214-BDNG
DEGN BY	YANG		UNIT	MM	TITLE TNC MALE CONNECTOR
APPD BY	RAY				DWG NO. TL4593-214-BDNG-TNS61-A1
同利企業有限公司 TELE LONG ENTERPRISE CO.,LTD					
DATE	DRAWG BY	REVISED	DATE		