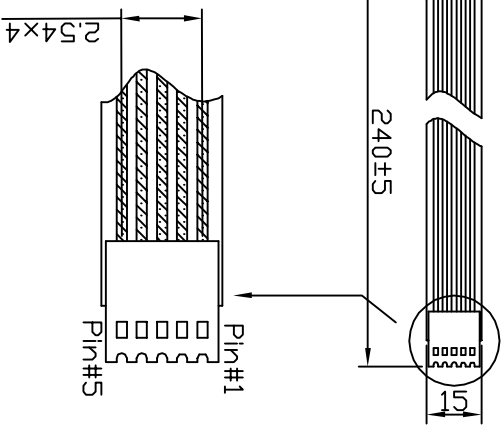


NOTE:
ALL DIMENSIONS ARE IN MILLIMETERS

| P/N | Film Type | Glass Thickness | Finished Part Thickness |
|------------|------------|-----------------|-------------------------|
| 5W215WG-X3 | Clear | 2.8 | 3.2±0.2 |
| 5W215WN-X3 | Anti-Glare | | |

| Pin# | Assignment |
|------|------------|
| 1 | H |
| 2 | X |
| 3 | S |
| 4 | Y |
| 5 | L |



| | |
|---|-----------------------|
| 益震科技股份有限公司 Onetouch Technologies Co., Ltd. | |
| DATE: | 2008.11.26 |
| P/N: | 5W215W-G 5W215W-N |
| MODEL: | 5W215W |
| DRAWER: | Candy APPROVAL: DAVID |