



# Crystal Clock Oscillator Specification

*IQD Part No. + Packaging: LFSPX0022825Reel*

*Würth Part No. 831022825*



## Description

- 
- 
- 

## Frequency Parameters

- 
- ±
- 
- 

## Electrical Parameters

- 
- 
- 

## Output Details

- 
- 
- 
- 

## Output Control

- 

## Noise Parameters

- 

## Environmental Parameters

- 
- 
- 

## Manufacturing Details

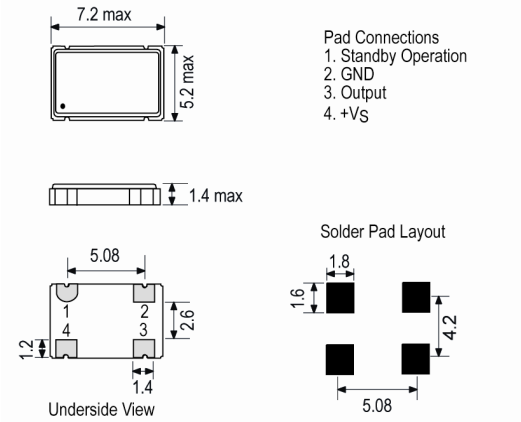
- 
- 

## Compliance

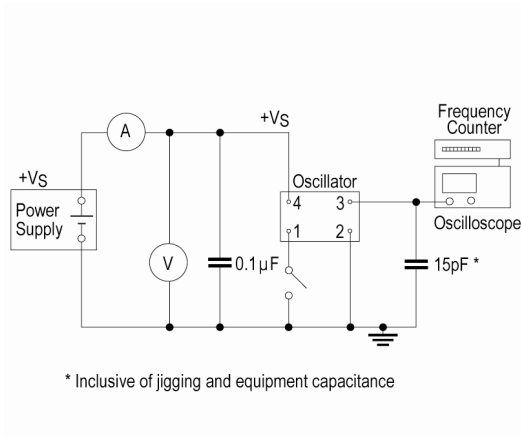
- 
- 
- 



## Outline (mm)



## Test Circuit



CONTACT INFORMATION:



## Crystal Clock Oscillator Specification

IQD Part No. + Packaging: LFSPX0022825Reel

Würth Part No. 831022825



### Packaging Details

- 
- Alternative packing option available

### USEFUL LINKS

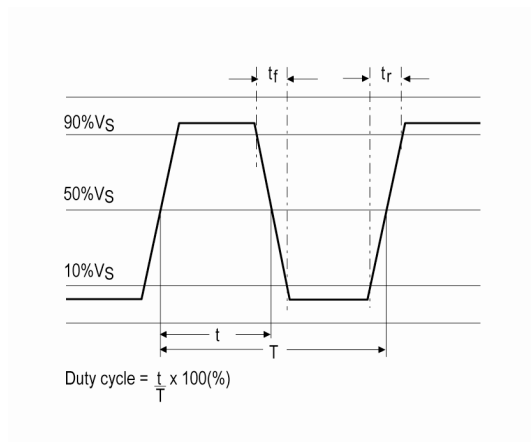
#### Toolbox:

[www.we-online.com/toolbox](http://www.we-online.com/toolbox)

#### Product Catalog:

[www.we-online.com/products](http://www.we-online.com/products)

### Wave Form



### Phase Noise / Jitter

