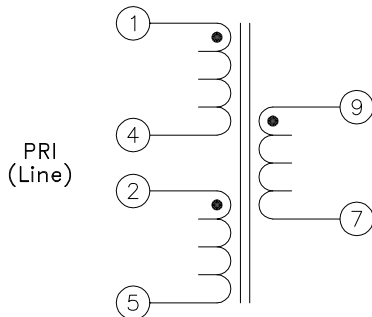
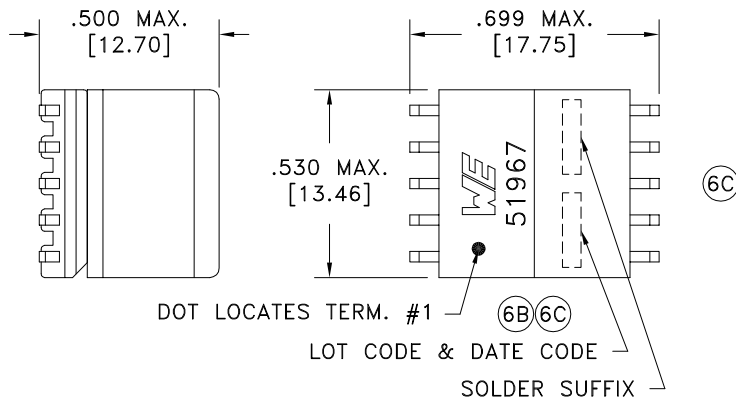
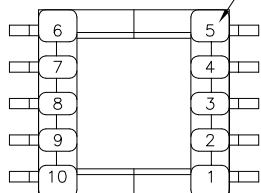
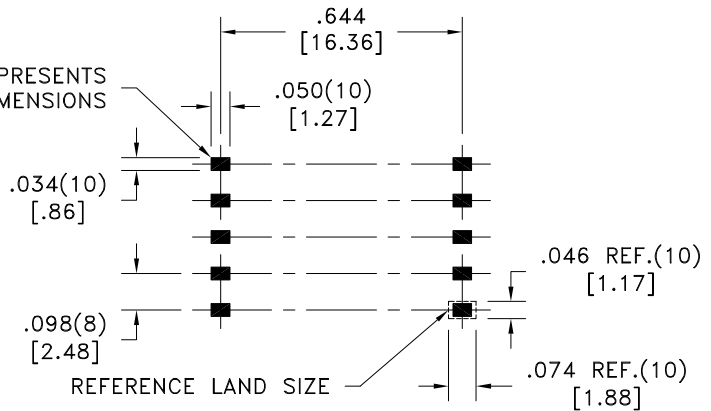


SOLDER SUFFIX	CUSTOMER TERMINAL	RoHS	LEAD(Pb)-FREE	6B 6C
LF1	Sn96%, Ag4%	Yes	Yes	

TERM. NO.'s FOR REF. ONLY



AREA REPRESENTS
TERMINAL PAD DIMENSIONS



CUSTOMER TO DETERMINE LAND LAYOUT

ELECTRICAL SPECIFICATIONS @ 25°C unless otherwise noted:

- LONGITUDINAL BALANCE: 50dB min., 5k - 400kHz, per ITU Method (L->M).
- D.C. RESISTANCE (@20°C): 1-4, 1.65 ohms max. 9-7, 0.726 ohms max.
2-5, 1.65 ohms max.
- DIELECTRIC RATING: 1500VAC, 1 minute tested by applying 2000VAC for 1 second between 1-9(tie 2+4).
- INDUCTANCE: 3mH ±10%, 10kHz, 50mVAC, 0/100mADC, 1-5(tie 2+4), Ls.
- LEAKAGE INDUCTANCE: 22uH max., 100kHz, 50mVAC, 1-5(tie 2+4, 7+9), Ls.
- TURNS RATIO: (1-5):(9-7) = 4.5:1, tie(2+4), ±1%.
(1-4):(2-5) = 1:1, tie(2+4), ±1%.
- INTERWINDING CAPACITANCE: 150pF max., 10kHz, 50mVAC, 1-9(tie 2+4), Cs.
- TOTAL HARMONIC DISTORTION: -82dB max., 3kHz, Vgen of 5Vrms, 135 ohm load, 6.7 ohm input, tie(2+4).
- OPERATING TEMPERATURE RANGE: -40°C to +85°C.

6B Designed to comply with the following requirements as defined by IEC60950-1, EN60950-1, UL60950-1/CSA60950-1 and AS/NZS60950.1:
- Supplementary insulation for a primary circuit at a working voltage of 250Vrms.

6C Wire insulation & RoHS status not affected by wire color.
Wire insulation color may vary depending on availability.

DETAILS SUBJECT TO CHANGE

Unless otherwise specified:
Tolerances:
Angles: ±1°
Fractions: ±1/64
Decimals: ±.005[.13]

This drawing is dual dimensioned.
Dimensions in brackets are in millimeters.

DRAWING TITLE

TRANSFORMER

eiSos p/n: 750051967

SEE REVISION SHEET FOR REVISION LEVEL



PART NO.

51967R-LF1

6B
6C

REV.
6C
6/14

SPECIFICATION SHEET 1 OF 1

PART#
51967R-LF1