

- 注記 :  
NOTES:
- △1 材質 : TABLE 1参照  
MATERIAL : SEE TABLE 1
  - △2 両端のPINのみ適用。  
APPLIES : PIN, BOTH ENDS
  - △3 梱包仕様書、製品仕様書、嵌合相手はSHEET 2をご参照ください。  
PLEASE REFER TO SHEET 2 FOR PACKAGING SPECIFICATION, PRODUCT SPECIFICATION AND MATE WITH.
  - 4. 本製品はコインあり品である。コインなし品は52670001-SD/PSD/000をご参照ください。  
THIS PRODUCT IS WITH COIN, PLEASE REFER TO 52670001-SD/PSD/000 FOR WITHOUT COIN PRODUCT.
  - △5 オーダー番号 : ORDER NO.  
999909\*\* (\*\*:86~99)

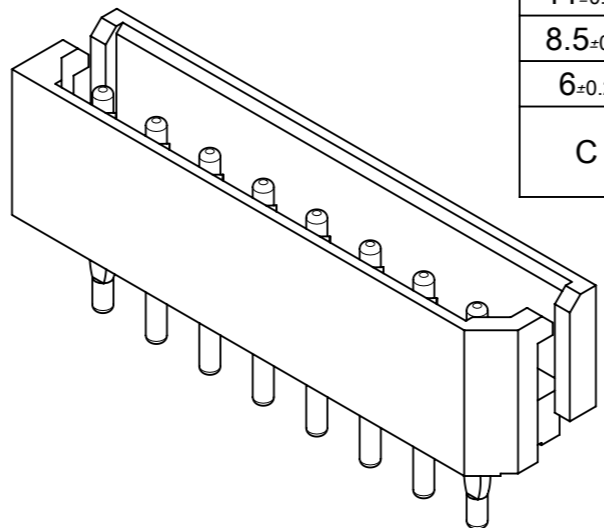
38.5±0.3	35	39.9±0.3	ポリ袋 POLY BAG	5267NAX	526715AX	99990999	15
36±0.3	32.5	37.4±0.3			526714AX	99990998	14
33.5±0.3	30	34.9±0.3			526713AX	99990997	13
31±0.3	27.5	32.4±0.3			526712AX	99990996	12
28.5±0.25	25	29.9±0.25			526711AX	99990995	11
26±0.25	22.5	27.4±0.25			526710AX	99990994	10
23.5±0.25	20	24.9±0.25			526709AX	99990993	9
21±0.25	17.5	22.4±0.25			526708AX	99990992	8
18.5±0.25	15	19.9±0.25			526707AX	99990991	7
16±0.25	12.5	17.4±0.25			526706AX	99990990	6
13.5±0.25	10	14.9±0.25			526705AX	99990989	5
11±0.25	7.5	12.4±0.25			526704AX	99990988	4
8.5±0.2	5	9.9±0.2			526703AX	99990987	3
6±0.2	2.5	7.4±0.2			526702AX	99990986	2
C	B	A			梱包形態 PACKAGING	シリーズ番号 SERIES NO.	ENG. NO.

△1 TABLE 1

番号 NO.	部品 PART	材質 MATERIAL
①	ハウジング HOUSING	ポリアミド(PA), UL94V-0, 色: ナチュラル(アイボリー) POLYAMIDE(PA), UL94V-0, COLOR: NATURAL (IVORY)
②	ピン PIN	母材 BASE METAL
		めっき PLATING
		下地めっき UNDERPLATING

黄銅(Φ0.7) BRASS (Φ0.7)
錫めっき : 3 micro-meter MIN. TIN
銅めっき : 1 micro-meter MIN. COPPER (UNDERPLATING)

DOCUMENT STATUS	RELEASE DATE	03:50:33
P1	2020/05/13	



THIS DRAWING CONTAINS INFORMATION THAT IS PROPRIETARY TO MOLEX ELECTRONIC TECHNOLOGIES, LLC AND SHOULD NOT BE USED WITHOUT WRITTEN PERMISSION

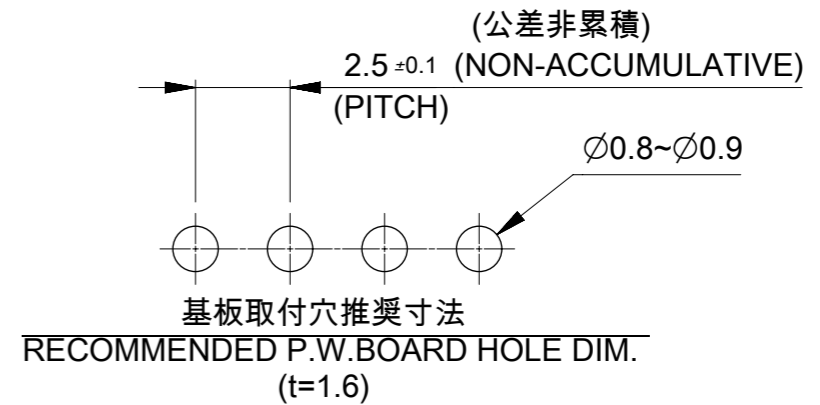
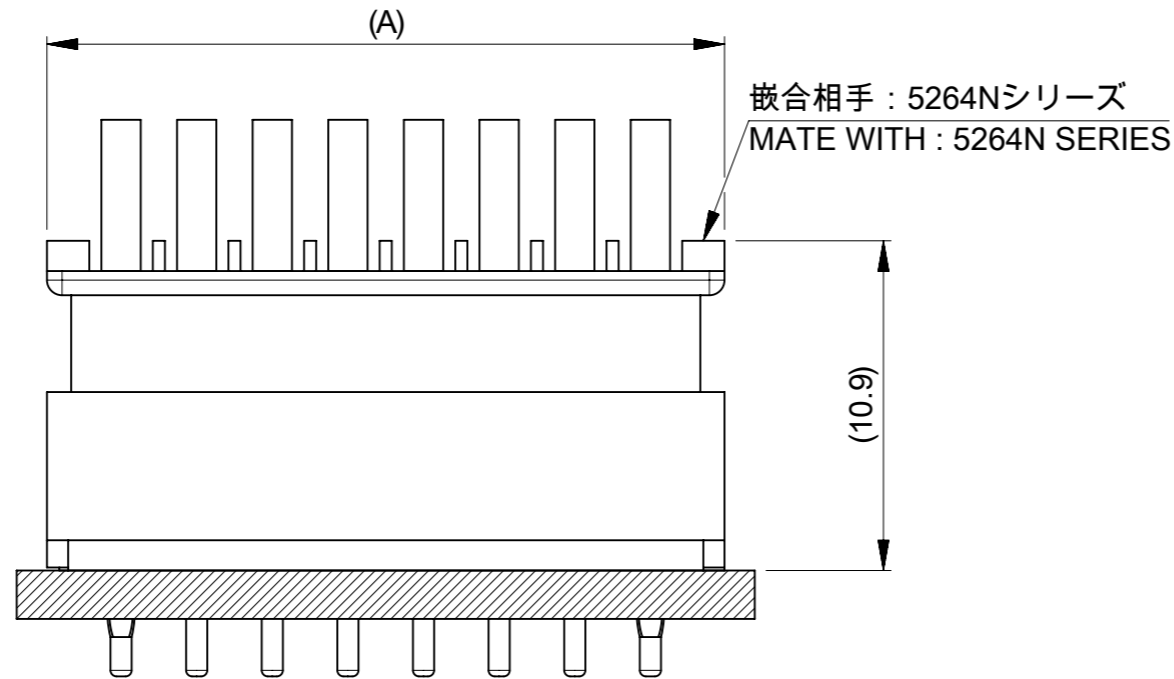
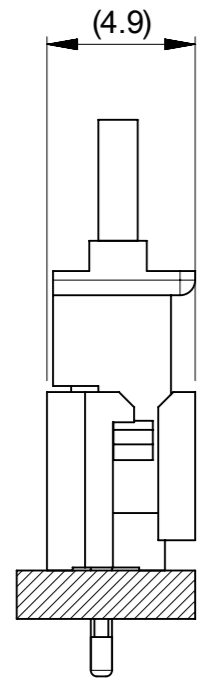
CURRENT REV DESC: MIGRATED

DIMENSION UNITS	SCALE	 MINI-SPOX 2.5 W/B VERTICAL PLUG ASSEMBLY WITH COIN COPPER UNDERPLATING PRODUCT CUSTOMER DRAWING		
mm	NTS			
GENERAL TOLERANCES (UNLESS SPECIFIED)				
ANGULAR TOL	± 3.0°			
4 PLACES	±			
3 PLACES	±			
2 PLACES	± 0.2	EC NO: 636780	2019/06/20	
1 PLACE	± 0.2	DRWN: SUDAYGUNAGI	2020/05/13	
0 PLACES	±	CHK'D: SAKIYAMA	2020/05/13	
DRAFT WHERE APPLICABLE MUST REMAIN WITHIN DIMENSIONS		APPR: KOMURAKAMI	2020/05/13	
THIRD ANGLE PROJECTION		INITIAL REVISION:	DOCUMENT NUMBER	
DRAWING		DRWN: SUDAYGUNAGI	52670002-SD	
SERIES		APPR: KOMURAKAMI	PSD 000 A	
A3-SIZE		2019/06/20	SHEET NUMBER	
5267		2020/05/13	1 OF 2	
MATERIAL NUMBER		SEE CHART	CUSTOMER	
GENERAL				

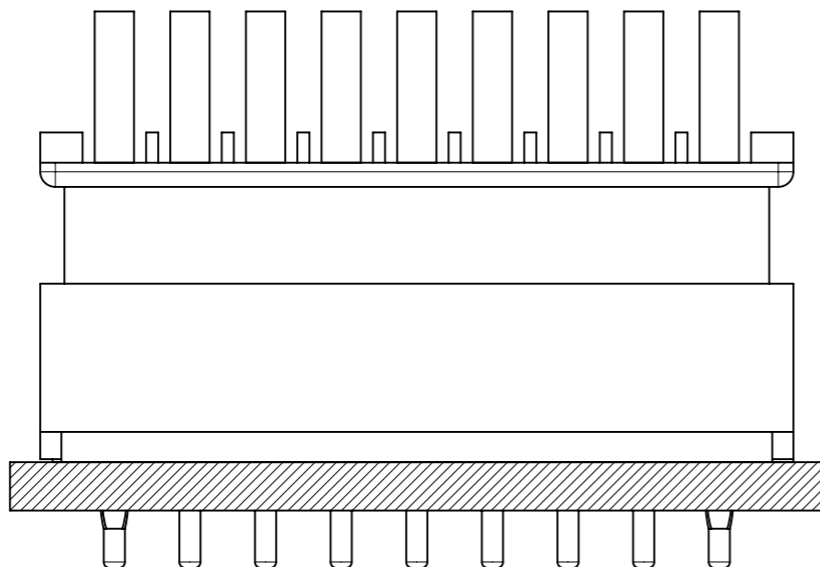
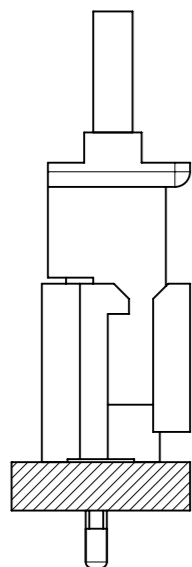
△ 適用製品及び各種仕様書  
 APPLICABLE PRODUCTS AND VARIOUS SPECIFICATIONS

梱包仕様書 PACKAGING SPECIFICATION	ORDER NO. 999909**	SPECIFICATION NO. SPK-5267-001 PS 001
嵌合相手 MATE WITH	RECEPTACLE HOUSING	
シリーズ番号 SERIES NO.	5264N	
製品仕様書 PRODUCT SPECIFICATION	PS-5264-001 PS 001	

2-8極  
2-8 CIRCUIT



9-15極  
9-15 CIRCUIT



嵌合図  
MATING CONNECTORS

THIS DRAWING CONTAINS INFORMATION THAT IS PROPRIETARY TO MOLEX ELECTRONIC TECHNOLOGIES, LLC AND SHOULD NOT BE USED WITHOUT WRITTEN PERMISSION									
DIMENSION UNITS <b>mm</b>	SCALE <b>NTS</b>	CURRENT REV DESC: MIGRATED							
GENERAL TOLERANCES (UNLESS SPECIFIED)		EC NO: 636780							
ANGULAR TOL	± 3.0 °	DRWN: SUDAYGUNAGI 2019/06/20			MINI-SPOX 2.5 W/B VERTICAL PLUG ASSEMBLY WITH COIN COPPER UNDERPLATING				
4 PLACES	±	CHK'D: SAKIYAMA 2020/05/13			PRODUCT CUSTOMER DRAWING				
3 PLACES	±	APPR: KOMURAKAMI 2020/05/13			DOCUMENT NUMBER				
2 PLACES	± 0.2	INITIAL REVISION:			52670002-SD				
1 PLACE	± 0.2	DRWN: SUDAYGUNAGI 2019/06/20			DOC TYPE		DOC PART	REVISION	
0 PLACES	±	APPR: KOMURAKAMI 2020/05/13			PSD		000	A	
DRAFT WHERE APPLICABLE MUST REMAIN WITHIN DIMENSIONS		THIRD ANGLE PROJECTION	DRAWING	SERIES	MATERIAL NUMBER	CUSTOMER		SHEET NUMBER	
			A3-SIZE	5267	SEE SHEET 1	GENERAL		2 OF 2	