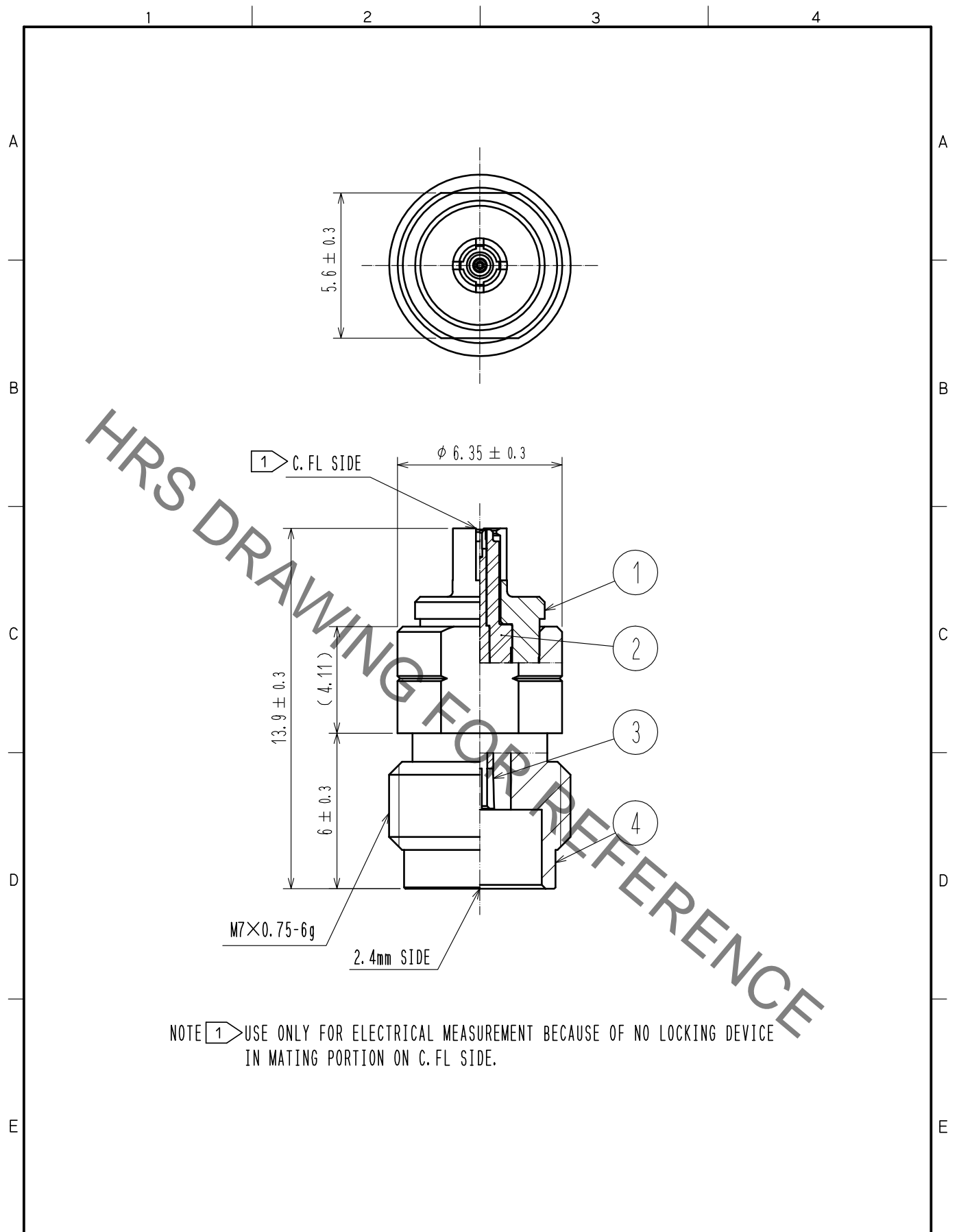


Oct.1.2021 Copyright 2021 HIROSE ELECTRIC CO., LTD. All Rights Reserved.  
 In case of consideration for using Automotive equipment / device which demand high reliability, kindly contact our sales window correspondents.



NOTE 1 USE ONLY FOR ELECTRICAL MEASUREMENT BECAUSE OF NO LOCKING DEVICE IN MATING PORTION ON C. FL SIDE.

2	PTFE		4	STAINLESS STEEL	PASSIVATE		
1	BERYLLIUM COPPER	NICKEL PLATING	3	BERYLLIUM COPPER	GOLD PLATING		
NO.	MATERIAL	FINISH . REMARKS	NO.	MATERIAL	FINISH . REMARKS		
UNITS mm		SCALE 5 : 1	COUNT 	DESCRIPTION OF REVISIONS	DESIGNED	CHECKED	DATE
HIROSE ELECTRIC CO., LTD.		APPROVED : TS. NOBE	20200603	DRAWING NO.	EDC-379942-00-00		
		CHECKED : NK. NINOMIYA	20200603	PART NO.	C. FLP-H2. 4J		
		DESIGNED : TK. SAWAGUCHI	20200603	CODE NO.	CL311-0021-0-00		
		DRAWN : TK. SAWAGUCHI	20200603				