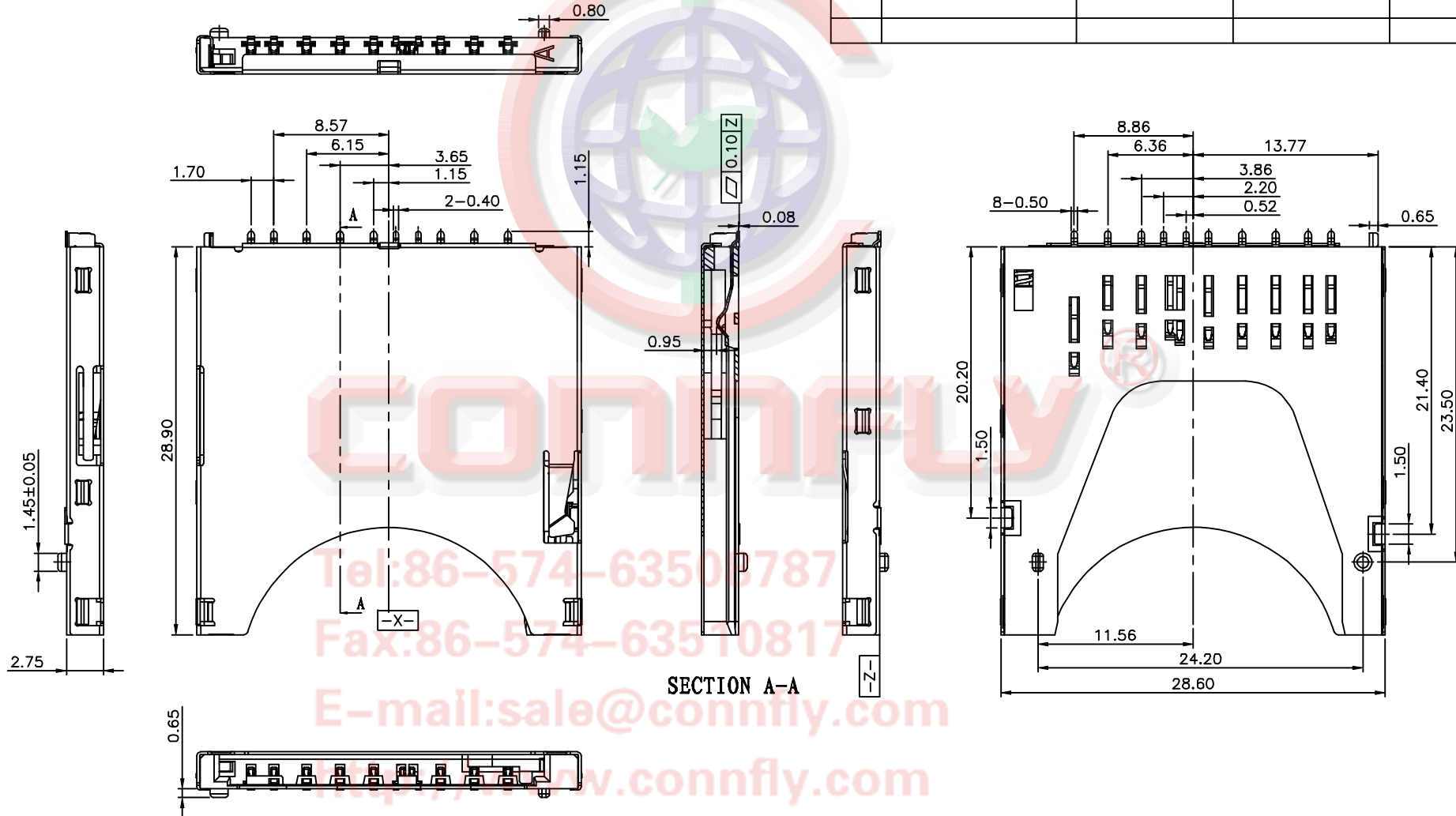


REV.	DESCRIPTION	DRAWN	CHECKED	APPROVED
A	NEW RELEASE	JLZ 10/11/14'		LJC 10/11/14'
B	DRAWING UPDATE	JLZ 05/03/17'		



SECTION A-A

Tel: 86-574-6350787
 Fax: 86-574-63510817
 E-mail: sale@connfly.com
 http://www.connfly.com
 Add: East Industry Zone KuangYan
 Town Cui Ning Sheng

CIRCUIT:	
WP — GROUND	WP — GROUND
CD — #3	CD — #3
WITHOUT CARD	CARD INSERTED WRITE PROTECT: LOCK

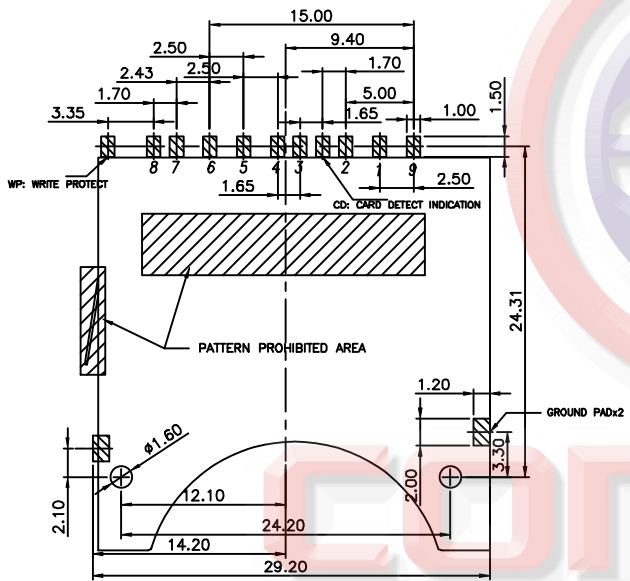
GENERAL TOLERANCE	ANGLE TOLERANCE
X. ±0.60	X. ±5°
.X ±0.38	.X ±3°
.XX ±0.25	.XX ±2°

PROJECTION	TITLE
	SD CARD PUSH-PUSH POST $\phi 1.45\text{mm}$ H=2.75MM
UNITS	mm
SHEET SIZE	A4
SERIES	DS1139-03 SERIES

DRAWING TYPE	CUSTOMER
SCALE	1:1 SHEET 1 OF 2
DRAWING NO.	C-DS1139-03-XXXXXXX-B

晨翔电子有限公司
CONNFLY® CONNFLY ELECTRONIC CO., LTD

REV.	DESCRIPTION	DRAWN	CHECKED	APPROVED
A	NEW RELEASE	JLZ 10/11/14'		LJC 10/11/14'
B	DRAWING UPDATE	JLZ 05/03/17'		



RECOMMENDED PCB LAYOUT
(ALL TOLERANCE ARE ±0.05)

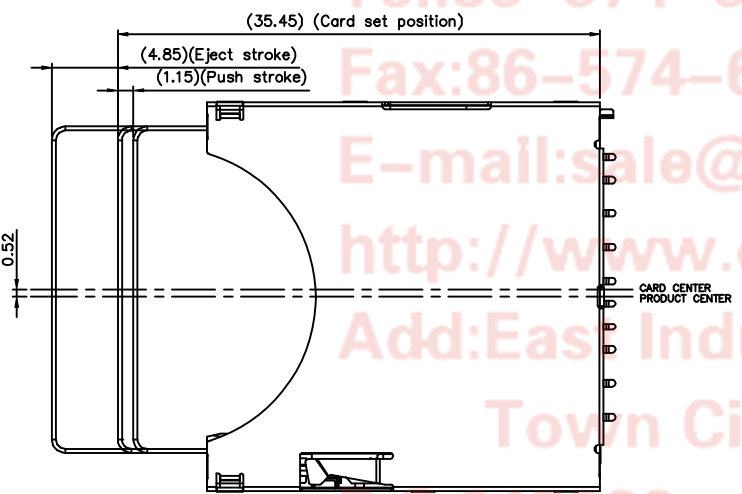
	PIN NO.	SD	MMC
P1	MMC-DAT3 SD-CD/DAT3	1P	1P
P2	MMC-CMD SD-CMD	2P	2P
P3	MMC-VSS1 SD-VSS1	3P	3P
P4	MMC-VDD SD-VDD	4P	4P
P5	MMC-CLK SD-CLK	5P	5P
P6	MMC-VSS2 SD-VSS2	6P	6P
P7	MMC-DAT0 SD-DAT0	7P	7P
P8	SD-DAT1	8P	
P9	SD-DAT2	9P	

Notes:

- Material:
 - Insulator: High Temperature LCP UL94V-0 Color of Black.
 - Contacts: Copper Alloy.
 - Shell: Stainless Steel.
- Finish:
 - Solder Area: Matte Tin.
 - Contact Area: Gold Over Nickel.
- Specifications:
 - Operate Temperature: -40° C~+85° C
 - Insulation Resistance: 1000MΩ Min.
 - Contact Resistance: 30mΩ max.
 - Withstanding Voltage: 500V AC 1min.
 - Operating Voltage: 30V AC/DC.
 - Current Rating: 0.5A
- Product Number Code:

DS1139-03 - XX X X X X X X

- Packing Type
R: Tape On Reel
- Shell Plating
S: Stainless
- Housing color
B: Black
- Contact Plating
0: Selective gold flash
4: Selective 3u" gold
J: Selective 5u" gold
1: Selective 10u" gold
- Mounting type
S: SMT type
- Connector type
S: Socket
- No. of contacts
09:9pin



Tel:86-574-63508787
 Fax:86-574-63510817
 E-mail:sale@connfly.com
 http://www.connfly.com
 Add:East Industry Zone KuangYan
 Town Cixi Ningbo China
 P.C:315333

GENERAL TOLERANCE		ANGLE TOLERANCE	
X.	±0.60	X.	±5°
.X	±0.38	.X	±3°
.XX	±0.25	.XX	±2°

PROJECTION	TITLE	SD CARD PUSH-PUSH POST φ1.45mm H=2.75MM	
UNITS	mm	SHEET SIZE	A4
SHEET SIZE	A4	SERIES	DS1139-03 SERIES

DRAWING TYPE	CUSTOMER		
SCALE	1:1	SHEET	2 OF 2
DRAWING NO.	C-DS1139-03-XXXXXXX-B		

晨翔电子有限公司
CONNFLY® CONNFLY ELECTRONIC CO., LTD