

MATERIALS & FINISHES

BODY: BRASS  
PLATED GOLD

CONTACT: BERYLLIUM COPPER  
PLATED GOLD

INSULATOR: TEFLON

JAM NUT: BRASS  
PLATED GOLD

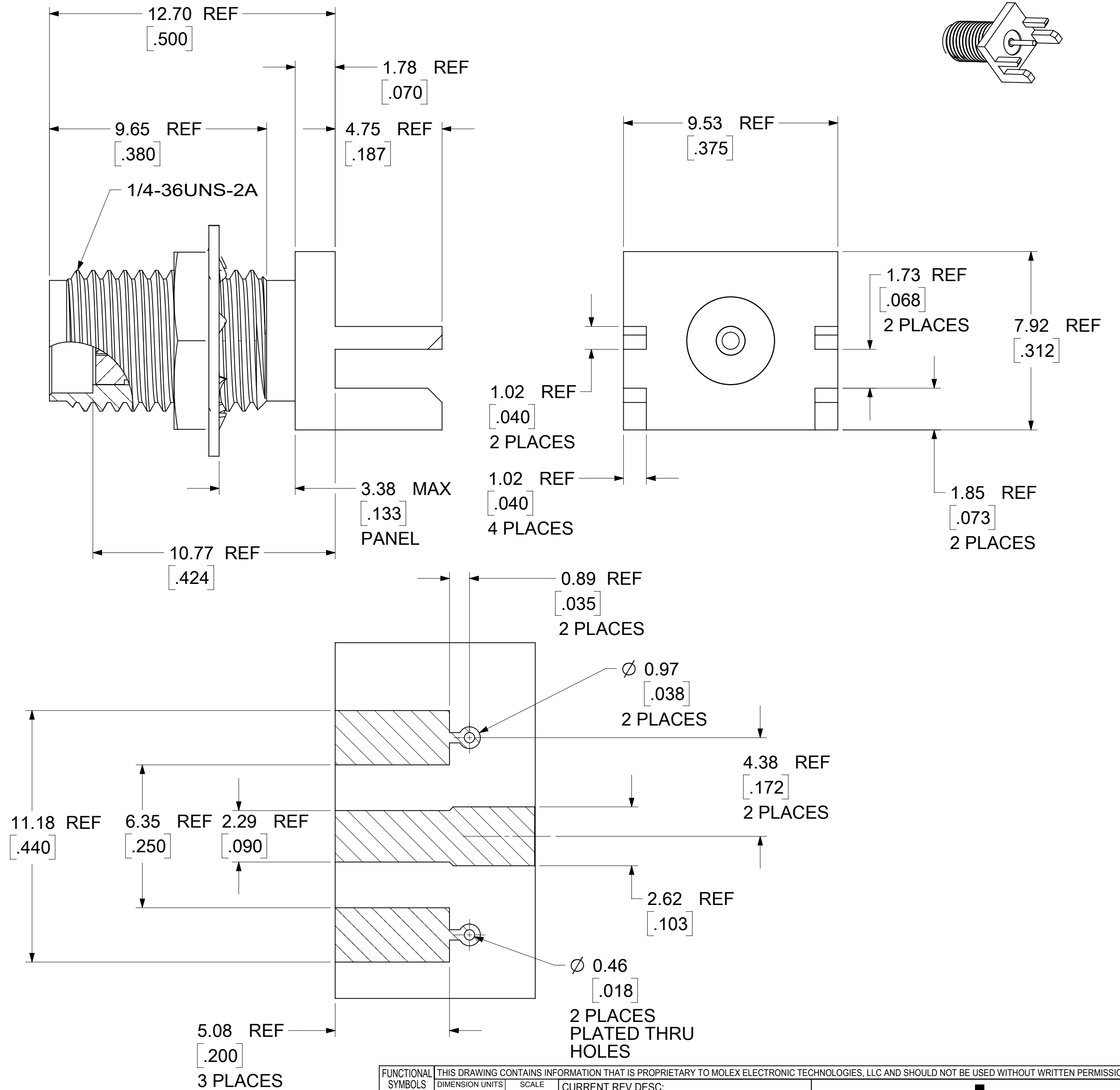
LOCK WASHER: PHOSPHOR BRONZE  
PLATED GOLD

PACKAGE SEE TABLE

HARDWARE:

JAM NUT: 7.87/.310 HEX X 1.55/.061

LOCK WASHER:  $\varnothing$ 10.26/.404 X  $\varnothing$ 6.65/.262 X .46/.018



RECOMMENDED PCB LAYOUT

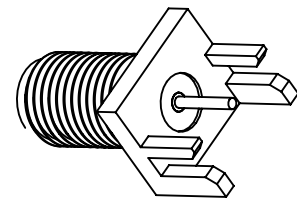
BOARD THICKNESS 1.57/.062

73251-1291	BAG
73251-1290	TRAY
PART NO.	PACKAGING

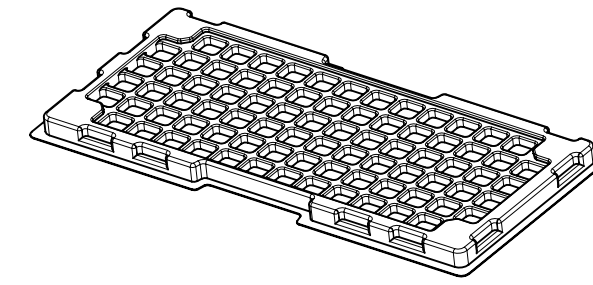
MIL-STD-348A, FIG. 310.2	INTERFACE
SPECIFICATION	DESCRIPTION

FUNCTIONAL SYMBOLS	THIS DRAWING CONTAINS INFORMATION THAT IS PROPRIETARY TO MOLEX ELECTRONIC TECHNOLOGIES, LLC AND SHOULD NOT BE USED WITHOUT WRITTEN PERMISSION		CURRENT REV DESC:		<b>molex</b>
	DIMENSION UNITS	SCALE	UPDATE PACKAGE SPEC		
$\frac{E}{A} = 0$	MM/INCH	NTS	EC NO: 656196		SMA, JACK EDGEMOUNT FOR .062 PCB SMA-J/PCB, EWR-2864
$\frac{E}{C} = 0$	GENERAL TOLERANCES (UNLESS SPECIFIED)		DRWN: JSU18	2021/02/20	
$\frac{E}{P} = 0$	ANGULAR TOL $\pm$ 2.0°		CHK'D: YCHENG	2021/02/24	
DIVISIONAL SYMBOLS	4 PLACES $\pm$		APPR: YCHENG	2021/02/24	PRODUCT CUSTOMER DRAWING
	3 PLACES $\pm$		INITIAL REVISION:		DOCUMENT NUMBER
	2 PLACES $\pm$		DRWN: RFC_PLMIMP	2017/12/12	SD-73251-129
	1 PLACE $\pm$		APPR: JWIENER	2005/08/29	PSD 001 A4
	0 PLACES $\pm$		DRAFT WHERE APPLICABLE MUST REMAIN WITHIN DIMENSIONS		MATERIAL NUMBER
			THIRD ANGLE PROJECTION	DRAWING	CUSTOMER
				C-SIZE	GENERAL MARKET
				SERIES	SHEET NUMBER
				73251	1 OF 3

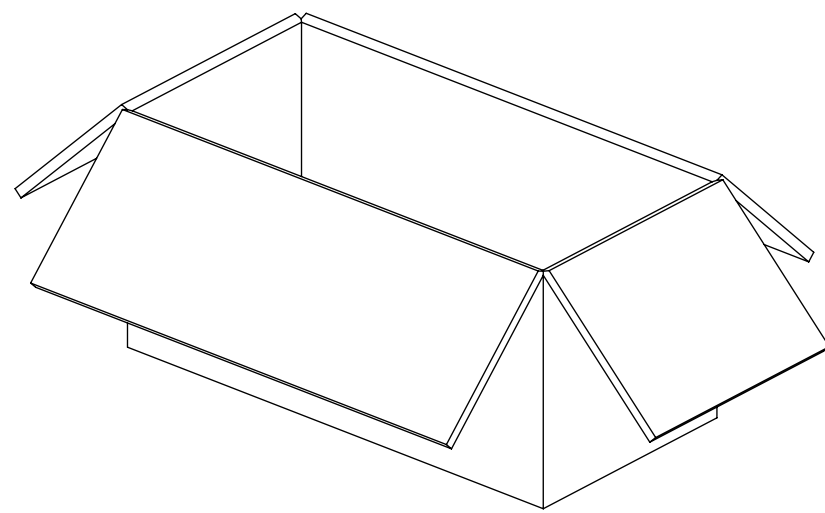
DOCUMENT STATUS	P1	RELEASE DATE	2021/02/24	09:06:01
-----------------	----	--------------	------------	----------



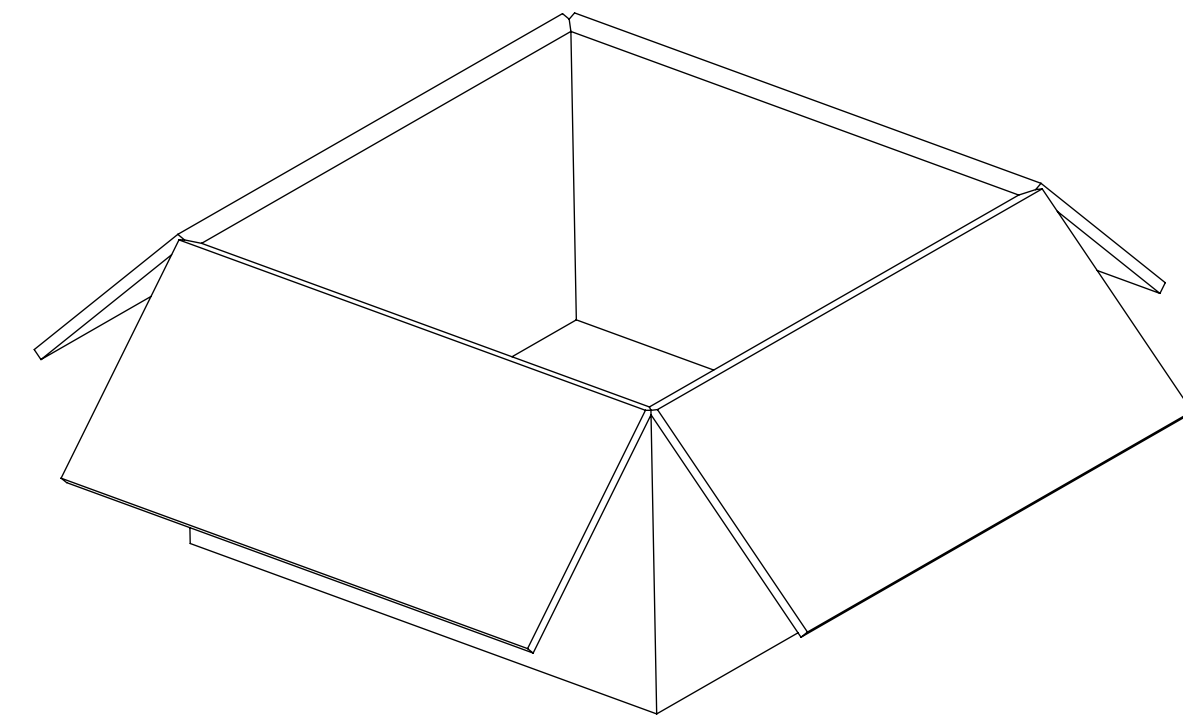
PART NO: 73251-1290



80 SET PER TRAY  
P/N: 89707-0190

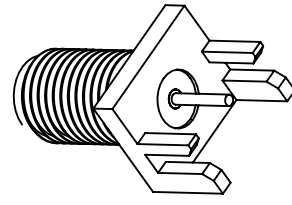


1200 SET PER INNER CARTON BOX  
P/N: 96707-0001

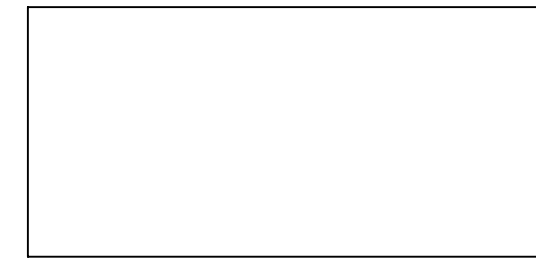
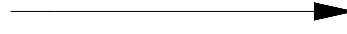


2400 SET PER OUTER CARTON BOX  
P/N: 96708-0005

FUNCTIONAL SYMBOLS	THIS DRAWING CONTAINS INFORMATION THAT IS PROPRIETARY TO MOLEX ELECTRONIC TECHNOLOGIES, LLC AND SHOULD NOT BE USED WITHOUT WRITTEN PERMISSION												
	DIMENSION UNITS	SCALE	CURRENT REV DESC:										
$\frac{F}{A} = 0$	MM/INCH	NTS	UPDATE PACKAGE SPEC										
$\frac{F}{C} = 0$	GENERAL TOLERANCES (UNLESS SPECIFIED)		EC NO: 656196								SMA, JACK EDGEMOUNT FOR .062 PCB SMA-J/PCB, EWR-2864		
$\frac{F}{P} = 0$	ANGULAR TOL $\pm 2.0^\circ$		DRWN: JSU18 2021/02/20										
DIVISIONAL SYMBOLS	4 PLACES $\pm$		CHK'D: YCHENG 2021/02/24										
	3 PLACES $\pm$		APPR: YCHENG 2021/02/24										
	2 PLACES $\pm$		INITIAL REVISION:										
	1 PLACE $\pm$		DRWN: RFC_PLMIMP 2017/12/12										
0 PLACES $\pm$		APPR: JWIENER 2005/08/29								DOCUMENT NUMBER	DOC TYPE	DOC PART	REVISION
DRAFT WHERE APPLICABLE MUST REMAIN WITHIN DIMENSIONS		THIRD ANGLE PROJECTION	DRAWING	SERIES	MATERIAL NUMBER		CUSTOMER		SHEET NUMBER				
			C-SIZE	73251	SD-73251-129		GENERAL MARKET		2 OF 3				



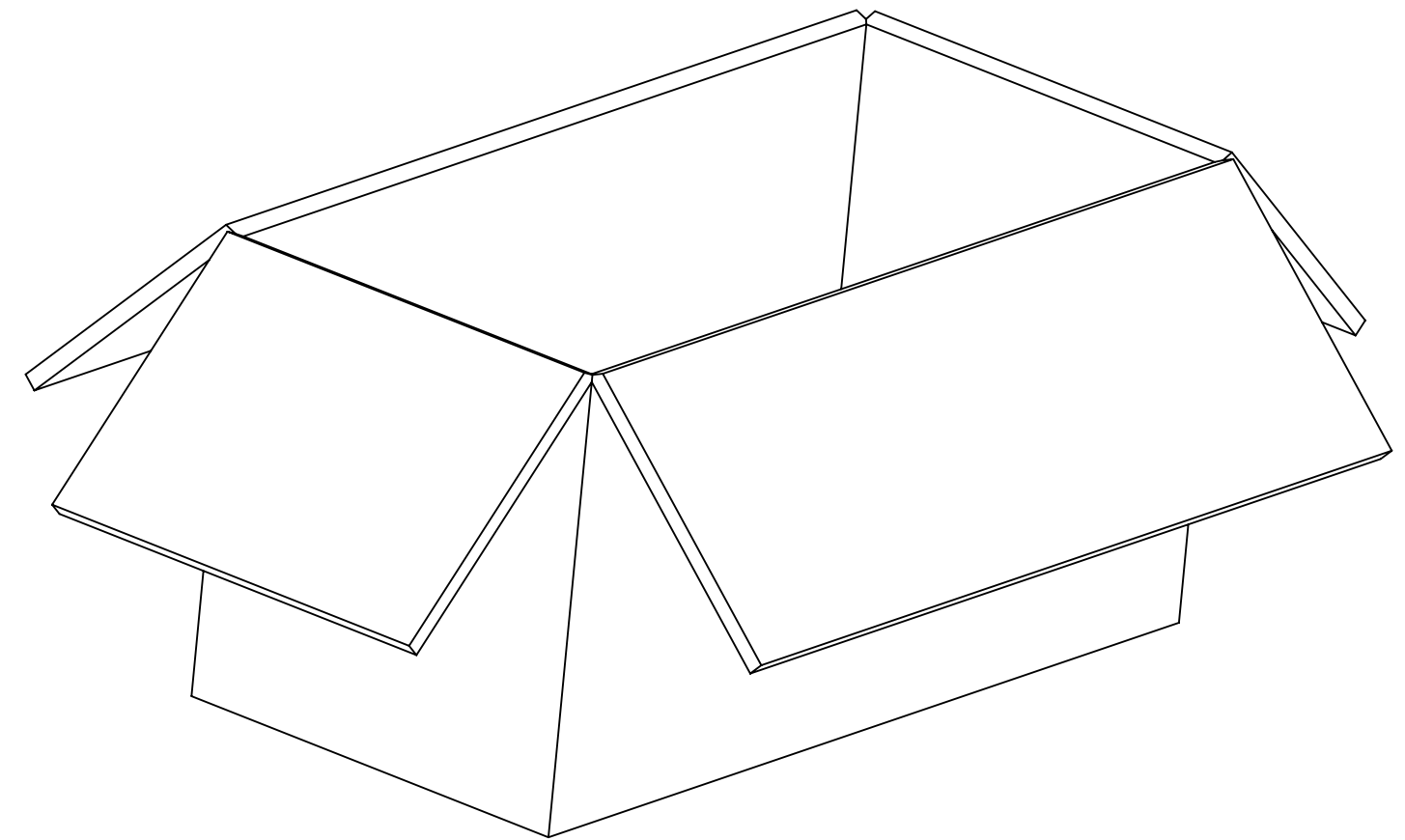
PART NO: 73251-1291



1 SET PER POLYBAG  
P/N: 89707-0317



50 SET PER POLYBAG  
P/N: 89707-0176



500 SET PER OUTER CARTON BOX  
P/N: 96707-0002

FUNCTIONAL SYMBOLS	THIS DRAWING CONTAINS INFORMATION THAT IS PROPRIETARY TO MOLEX ELECTRONIC TECHNOLOGIES, LLC AND SHOULD NOT BE USED WITHOUT WRITTEN PERMISSION													
	DIMENSION UNITS	SCALE	CURRENT REV DESC:								<b>molex</b>			
$\frac{F}{A} = 0$	MM/INCH	NTS	UPDATE PACKAGE SPEC											
$\frac{E}{C} = 0$	GENERAL TOLERANCES (UNLESS SPECIFIED)													
	ANGULAR TOL $\pm 2.0^\circ$													
$\frac{E}{P} = 0$	4 PLACES $\pm$		EC NO: 656196								SMA, JACK EDGEMOUNT FOR .062 PCB SMA-J/PCB, EWR-2864			
	3 PLACES $\pm$		DRWN: JSU18		2021/02/20									
DIVISIONAL SYMBOLS	2 PLACES $\pm$		CHK'D: YCHENG		2021/02/24						PRODUCT CUSTOMER DRAWING			
	1 PLACE $\pm$		APPR: YCHENG		2021/02/24									
0 PLACES $\pm$		INITIAL REVISION:		DOCUMENT NUMBER								DOC TYPE	DOC PART	REVISION
DRAFT WHERE APPLICABLE MUST REMAIN WITHIN DIMENSIONS		THIRD ANGLE PROJECTION		DRAWING		SERIES		MATERIAL NUMBER		CUSTOMER		SHEET NUMBER		
				C-SIZE		73251		SD-73251-129		PSD 001		A4		
								GENERAL MARKET				3 OF 3		

DOCUMENT STATUS	P1	RELEASE DATE	2021/02/24	09:06:01
-----------------	----	--------------	------------	----------