

6

5

4

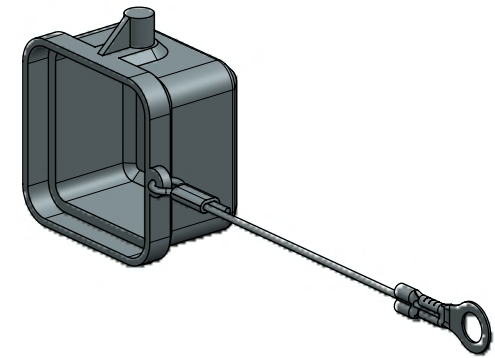
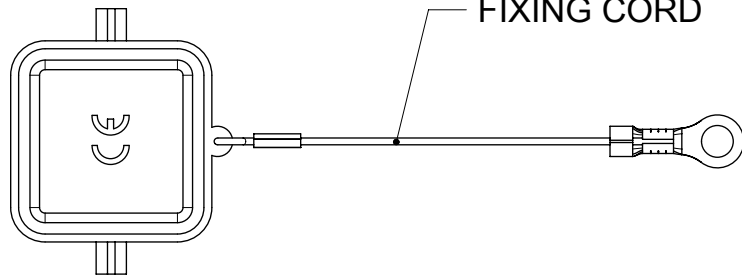
3

2

1

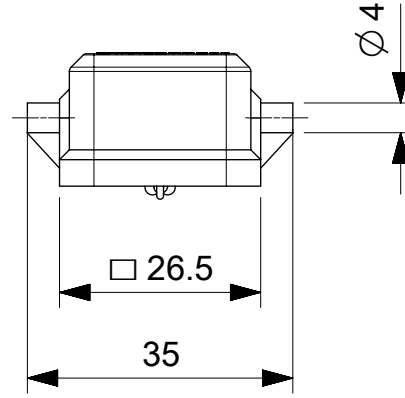
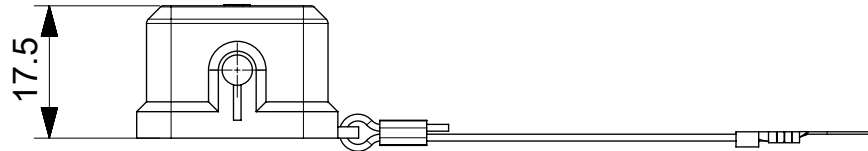
D

D



C

C



B

B

A

A

<b>QUALITY SYMBOLS</b> 	THIS DRAWING CONTAINS INFORMATION THAT IS PROPRIETARY TO MOLEX ELECTRONIC TECHNOLOGIES, LLC AND SHOULD NOT BE USED WITHOUT WRITTEN PERMISSION										
	EC NO: 173163 DRWN: AKHEMIRI CHK'D: AMELZI APPR: AMELZI	2018/03/06 2018/03/06 2018/03/06	GENERAL TOLERANCES (UNLESS SPECIFIED)		DIMENSION UNITS	SCALE					
			ANGULAR TOL ±		mm	1:1					
			4 PLACES ±	°	DRWN BY		DATE	7803.6803.0 3A STANDARD NYLON COVER FOR MALE INSERTS GREY			
			3 PLACES ±		AKHEMIRI		2017/11/30				
			2 PLACES ±		CHK'D BY		DATE	PRODUCT CUSTOMER DRAWING			
	1 PLACE ±		AKHEMIRI		2018/03/06						
	0 PLACES ±		APPR BY		DATE	SERIES	MATERIAL NUMBER	CUSTOMER			
	DRAFT WHERE APPLICABLE MUST REMAIN WITHIN DIMENSIONS		DRAWING SIZE		FIRST ANGLE PROJECTION		93601	936010708	GENERAL MARKET		
			A4				DOCUMENT NUMBER		DOC TYPE	DOC PART	SHEET NUMBER
						936010708		PSD	000	1 OF 1	

6

5

4

3

2

1