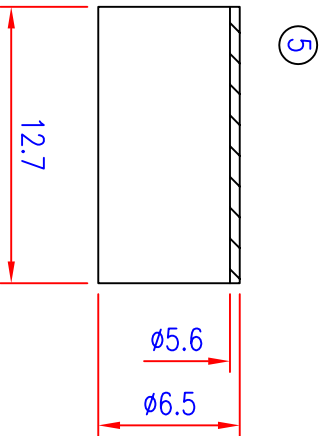
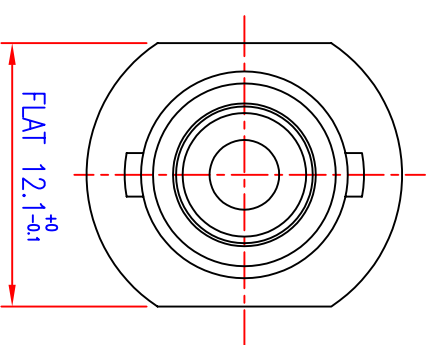
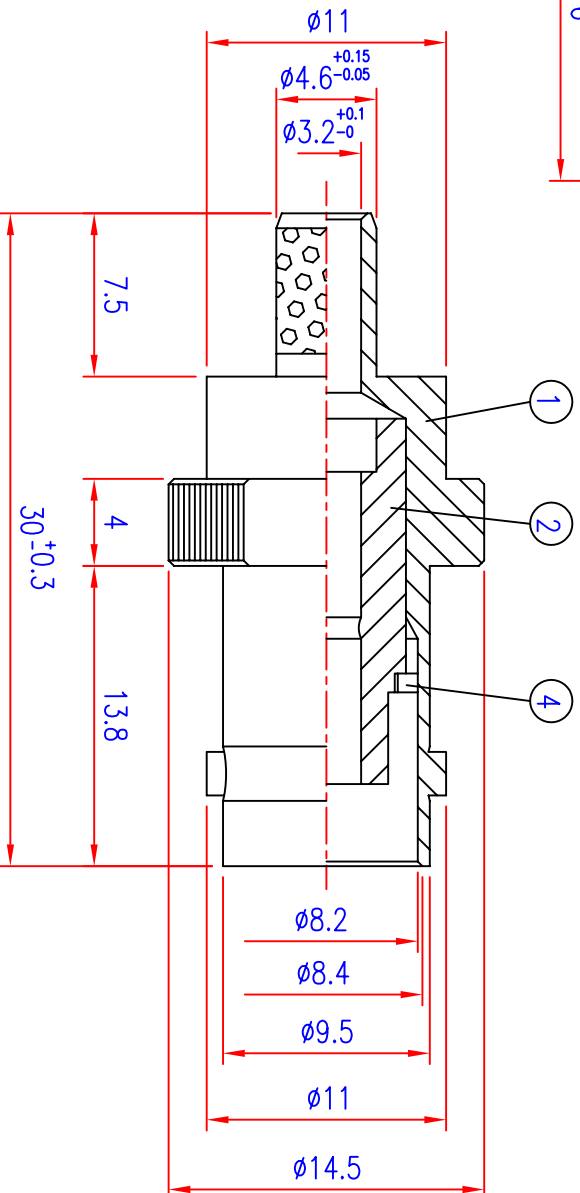
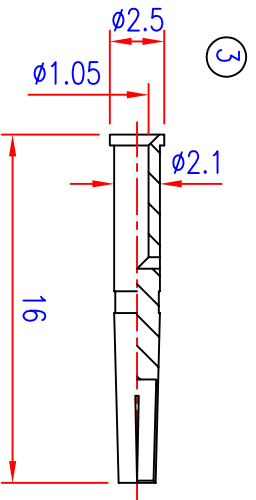


SPECIFICATION
 BNC FEMALE CONNECTOR
 CRIMP TYPE RG58
 NICKEL PLATED



UNLESS OTHERWISE SPECIFIED
 GENERAL TOLERANCES
 0.5~6 = ±0.2
 >6~30 = ±0.4
 >30~120 = ±0.6

5	RING	1	BRASS	NICKEL		
4	WASHER	1	BRASS	NICKEL		
3	PIN	1	BRASS	GOLD		
2	INSULATOR	1	DELRIN	WHITE		
1	BODY	1	BRASS	NICKEL		
NO.	DESCRIPTION	QTY	MATERIAL	SPECIFICATION		REMARK
DRAW BY	周敏君	0222108	SCALE	1 : 3	PROJ	ITEM NO. TL4263-58-BDNG
DEGN BY			UNIT	MM		TITLE BNC FEMALE CRIMP RG58U
APPD BY						DRAWING NO. TL4263-58-BDNG -TNS61-A

同利企業有限公司

TELE LONG ENTERPRISE CO.,LTD

DATE DRAWNG BY REVISED