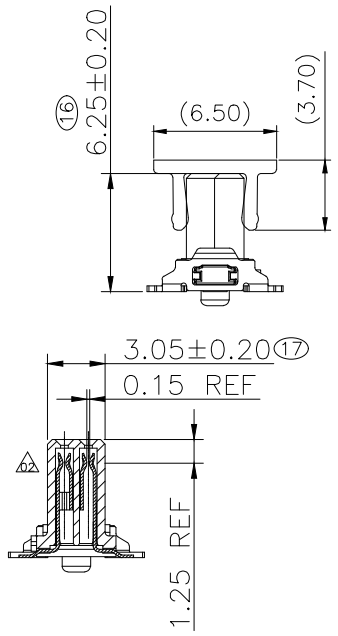
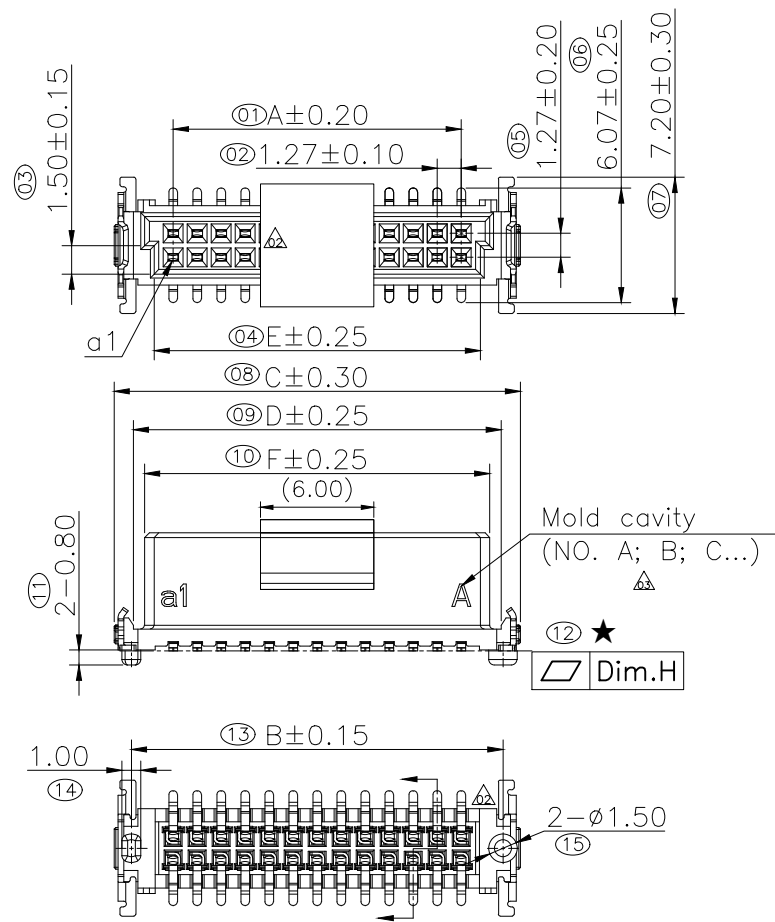


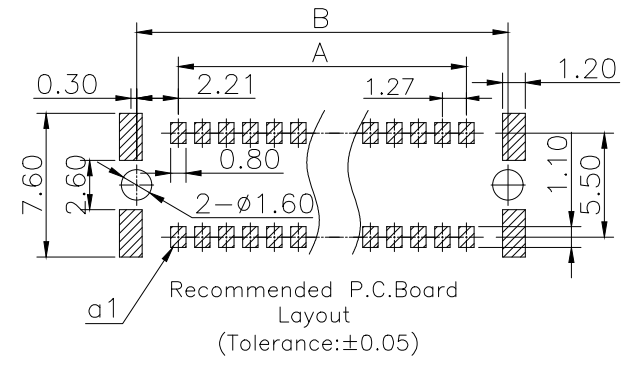
REV.	LOCAS.	DESCRIPTION	DATE	DRAWN
04	△A	Modify fitness size and increase plating code as required	2023.11.28	何東華
05	△B	Added 2*30PIN's specification(NN24125).	2024.11.06	杜清清



Specifications  
 Current Rating:1.7Amp For 2x5Pin 2x6Pin Product,  
 0.8 Amp For Product With Other Pin Numbers.  
 Insulation Resistance:10000MΩ Min.  
 Dielectric Withstanding Voltage:500VAC  
 Contact Resistance:25mΩ Max.  
 Operating Temperature:-55°C to +125°C  
 Materials  
 Contact Material:Phosphor Bronze  
 Insulator Material:High Temperature Thermoplastic, UL 94V-0 LCP  
 ☆ or the equivalent material Colour:Black  
 All materials must meet Greenconn requirement for environment protection.  
 "★": Critical Characteristics.  
 indicates product characteristics, functionalities, and manufacturing processes regarding to customer's specifications  
 "☆": Safety Features  
 indicates product characteristics, functionalities, and manufacturing processes complying to legal regulations stated by local government

Pin No.	Dim.H
≤6Pin	0.10
8≤Pin≤25	0.12
>25Pin	0.15

No. of PIN/ROW	Dimension Information					
	A	B	C	D	E	F
2*05	5.08	9.50	11.33	9.30	7.10	8.10
2*06	6.35	10.77	12.60	10.57	8.37	9.37
2*08	8.89	13.31	15.14	13.11	10.91	11.91
2*10	11.43	15.85	17.68	15.65	13.45	14.45
2*13	15.24	19.66	21.49	19.46	17.26	18.26
2*16	19.05	23.47	25.30	23.27	21.07	22.07
2*20	24.13	28.55	30.38	28.35	26.15	27.15
2*25	30.48	34.90	36.73	34.70	32.50	33.50
2*30	36.83	41.25	43.08	41.05	38.85	39.85
2*34	41.91	46.33	48.16	46.13	43.93	44.93
2*40	49.53	53.95	55.78	53.75	51.55	52.55



## Ordering Information

C BEC225 - XX XX B 001 C 1 A X

No. of Pins per Row  
 05,06,08,10,13,16, 20,25,30,34,40 △A

Standard Plating  
 05=1u"Au/80~160u"Matte Tin  
 79=5u"Au/80~160u"Matte Tin  
 △A U9=5u"Au/160~240u"Matte Tin

Standard Packing  
 C=Tube  
 E=CAP+Tube  
 Selective Packing  
 F=CAP+Tape&Reel

**Greenconn**  
 Website:www.greenconn.com  
 E-mail:sales@greenconn.com

REV. 05 UNIT. mm SCALE. 5:2

3RD.ANG PROJ.	GENERAL TOLERANCE
①	X.*±5.0° X.±0.30
②	.X*±3.0° .X±0.25
③	.XX*±2.0° .XX±0.15
④	.XXX*±1.0° .XXX±0.10

PAGE. 1/1

DESIGNED: 杜清清	DATE: 2024.11.06
CHECKED: 張春進	DATE: 2024.11.06
APPROVED: 張春進	DATE: 2024.11.06

DWG. NO. CBEC225-CB001
PART NO. CBEC225-XXXXB001C1AX

TITLE.  
 Pitch1.27 Female Connector  
 SMC Type-B SMT Type  
 High6.20mm 180°