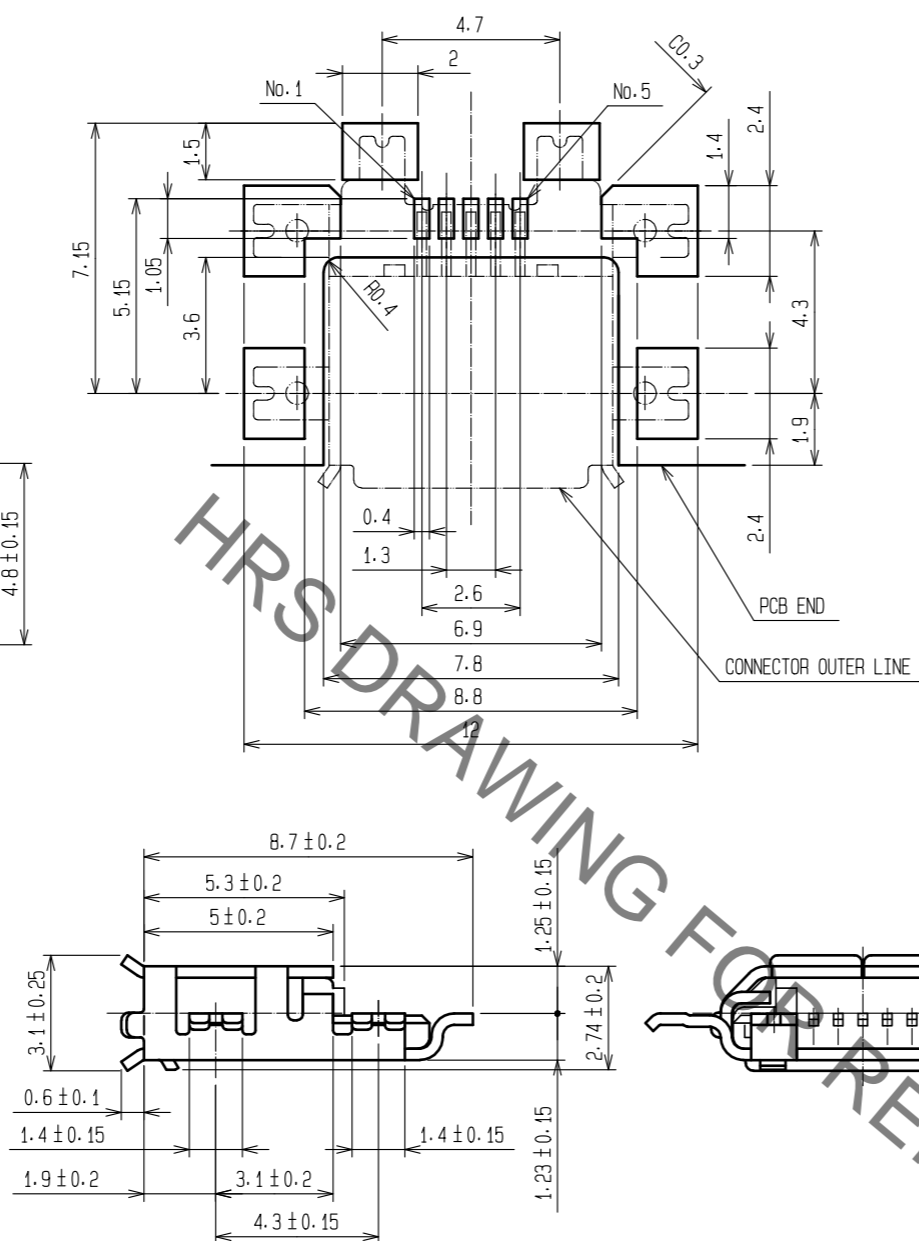
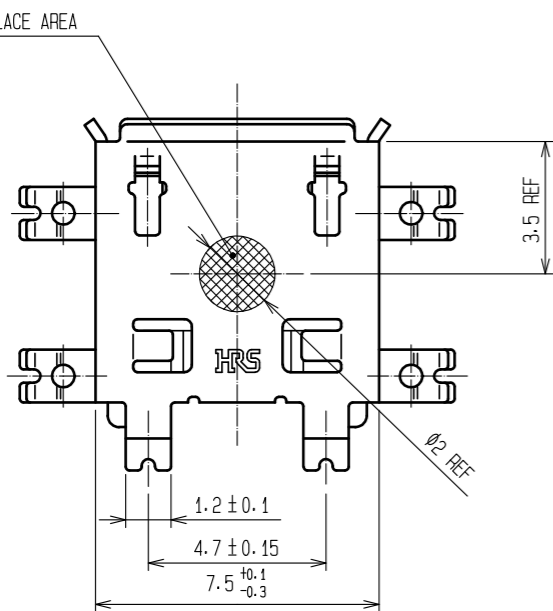
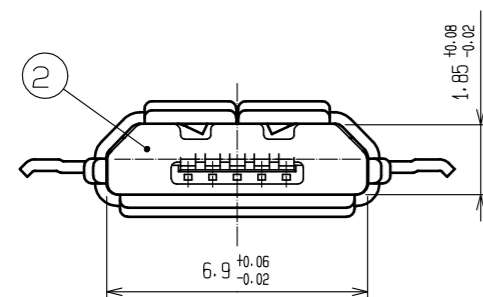
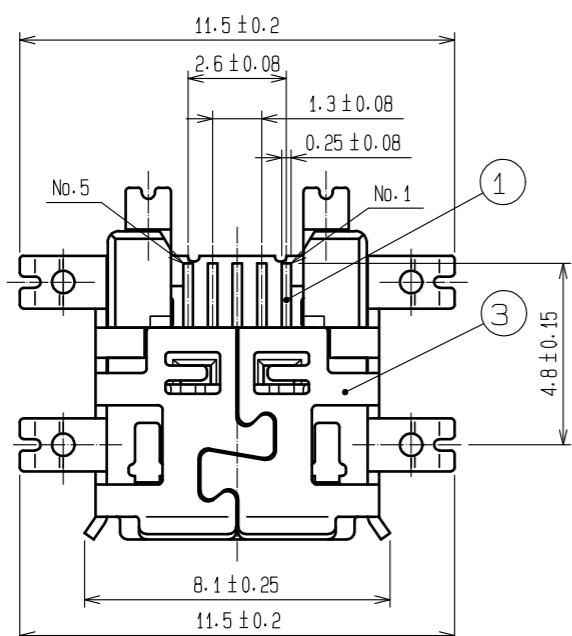
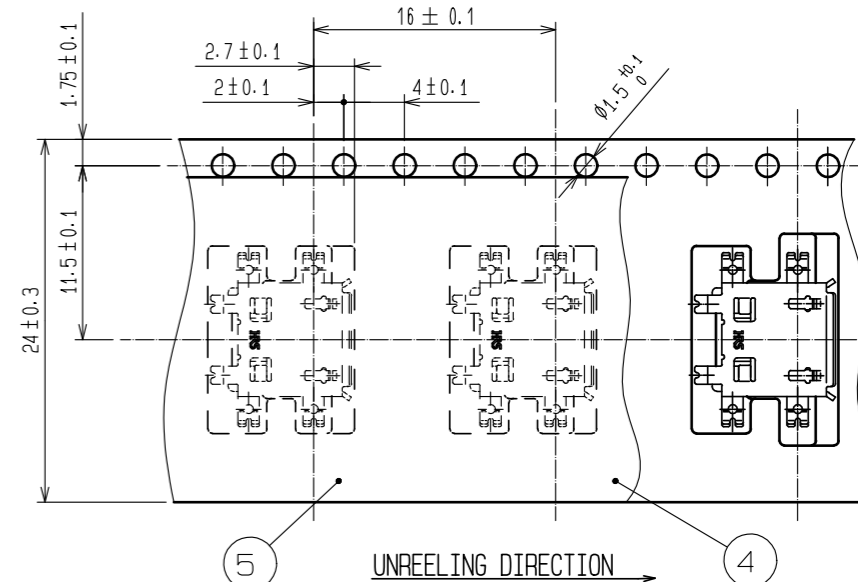


Mar.1.2020 Copyright 2020 HIROSE ELECTRIC CO., LTD. All Rights Reserved.  
In case of consideration for using Automotive equipment / device which demand high reliability, kindly contact our sales window correspondents.

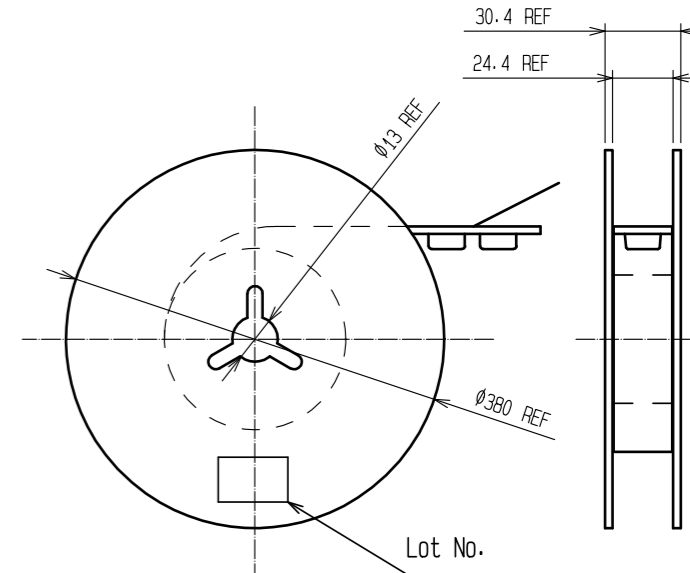
RECOMMENDED PATTERN



4 DRAWING FOR PACKING(FREE)



UNREELING DIRECTION



- NOTES 1 INTERFACE DIMENSIONS CONFORMS TO MICRO-B RECEPTACLE OF USB STANDARDS.  
 2 CO-PLANARITY TO BE 0.08 MAX.  
 3 PLATING  
 CONTACT AREA : GOLD 0.05µm MIN.  
 OVER PALLADIUM NICKEL 0.75µm MIN.  
 LEAD AREA : GOLD 0.05µm MIN.  
 UNDER PLATING: NICKEL 2µm MIN.  
 4 PER REEL: 1500 pcs  
 5 AS FOR PART No.3, THE PERFORMANCE REMAINS GOOD EVEN IF THERE IS A RUBBING WOUND BY THE ASSEMBLY PROCESS, AND THE PERFORMANCE REMAINS GOOD EVEN IF THERE IS A DIFFERENCE OF THE COLOR OF PLATING WITH THE MANUFACTURING LOT.

2	LCP	COLOR BLACK UL94V-0	5	PE				
1	COPPER ALLOY	3	4	PS				
			3	STAINLESS STEEL	TIN PLATING 3.8µm min. LUBRICANT			
NO.	MATERIAL	FINISH . REMARKS	NO.	MATERIAL	FINISH . REMARKS			
UNITS	mm	SCALE	5 : 1	COUNT	DESCRIPTION OF REVISIONS	DESIGNED	CHECKED	DATE
APPROVED : NM. NISHIMATSU		15.10.27	DRAWING NO.		EDC-126186-30-00			
CHECKED : KN. ICHIKAWA		15.10.27	PART NO.		ZX62M-B-5P(30)			
DESIGNED : TS. ITO		15.10.27	CODE NO.		CL242-0024-7-30			
DRAWN : AK. AKIYAMA		15.10.27						