

Series 350

SPECIFICATIONS

技術資料

Terminal Blocks for PC-Boards Machined Type Insert (350系列)

印刷線路板用接線端子座 - 車床銅柱

Front Wire Inlet Type - Top Screw, Spacing 3.5mm or 7.0mm,
Height Over PC-Board 8.5mm

前方入線型 - 頂部操作 · 間距3.5mm或7.0mm · 殼體高度8.5mm



350-031-12-00



MATERIAL 材料

- **Contact 觸點(metal housing 金屬殼體):**
Brass, Tin plated / 黃銅 · 銅錫電鍍
- **Terminal Screw 螺絲:**
Steel galvanized and chromated / 鋼 · 五彩電鍍
- **Wire Guard 保護片:**
Brass, Tin plated / 黃銅 · 鍍錫
- **Surface of Solder Tail 針腳電鍍:**
Tin plated / 鍍錫
- **Insulator Body 絕緣體(housing 殼體)**
Poly Butylene Terephthlene, PBT (30% Glass filled) (UL 94 V-0)

ELECTRICAL 電機方面

- **Current Rating 工作電流:** 10 Amp
- **Dielectric Strength 電介質:** 2000V
- **Rated Voltage 額定電壓:** 250V
- **Rated Cross Range**
 - with wire guard 連保護片的額定線徑: 0.5mm²
 - without wire guard 無保護片的額定線徑: 1.0mm²
- **Resistance to Tracking 絕緣阻值:** 5MΩ
- **Insulation Withstands Voltage 耐電壓:** AC1500V/Min
- **Rated Cross Section 額定線徑:** 1.0mm²
- **AWG 適用線號:** 22 - 18
- **Stripping Length 剝線長度:** 4.0 - 5.0mm

MECHANICAL 機械方面

- **Operating Temperature 工作溫度:** -30°C to +120°C
- **Short Time Peak Temperature 短暫能容溫度:** +200°C max

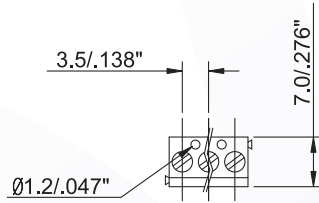
**** Notice:**

To avoid accumulating tolerance-variations of Terminal Blocks, limit the number of contacts to no more than 24 contacts per row

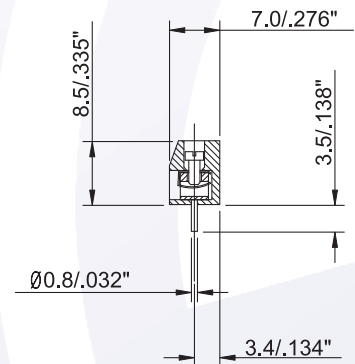
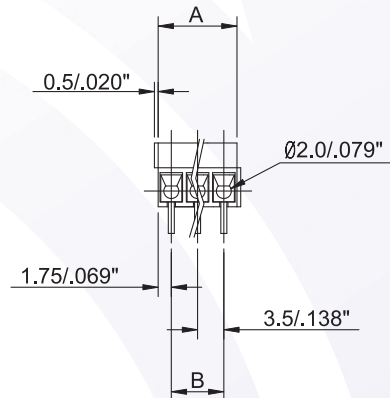
Recommended PC-Board-Holes
diameter : Ø1.2mm to Ø1.4mm
n = number of contacts

** 為防止累積公差過大 · 接線端子座建議每排不超過24位

建議底孔直徑: Ø1.2mm 至 Ø1.4mm
n = 觸點的數量



PITCH	Dimension A	Dimension B
3.5mm	n x 3.5	(n - 1) x 3.5
7.0mm	n x 7.0	(n - 1) x 7.0



HOW TO ORDER 排序整理

