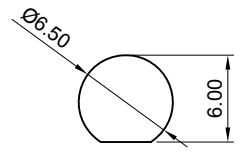


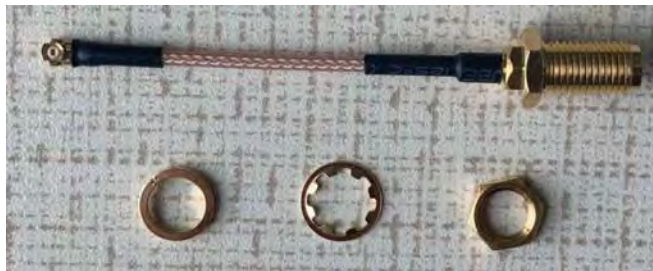
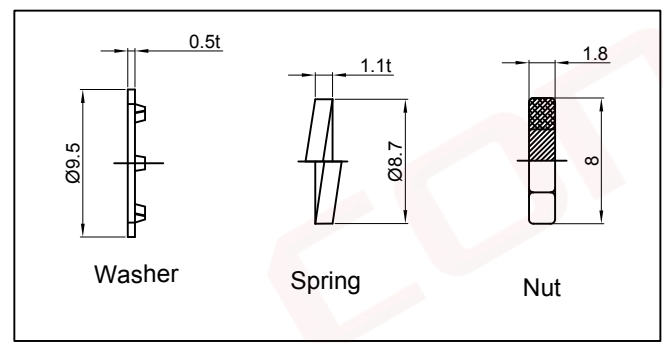
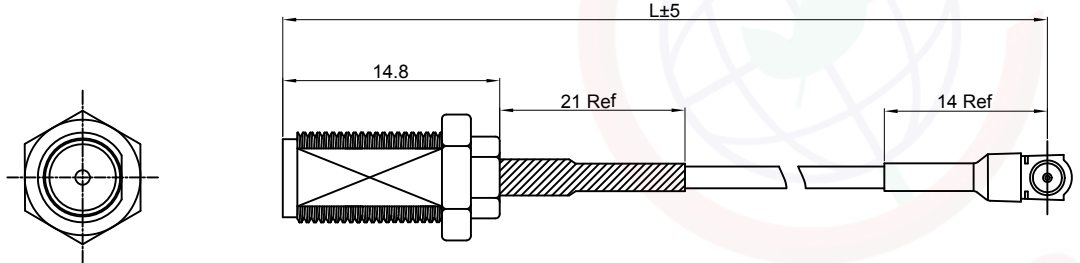
Dept	
Qty	
DC	1
ED	1
IE	1
ISO	1
PD	1
R&D	1
SD	1
QA	1
QC	1
QE	1

The information provided herein is from CONNELY Electronic Co., Ltd. and is confidential. Any disclosure to a party other than the recipient is prohibited. The intellectual properties and its rights hereunder including but not limited to, patents, trademarks, copyrights, and other intellectual property rights are reserved by CONNELY. All intellectual property rights of its use in any format or manner. CONNELY may enforce its intellectual property rights at its own discretion; failures or delays to exercise such rights does not constitute a waiver of such rights.

REV.	DESCRIPTION	DRAWN	CHECKED	APPROVED
A	NEW RELEASE	JLZ 04/12/22'		



Recommended Mounting Hole Dimensions



(Series Image-Reference Only)

Notes:

- Materials:
 - Contact: Copper Alloy, Full Gold Flash Plated.
 - Shell: Copper Alloy, Full Gold Flash Plated.
 - Insulator: High Temp Thermoplastic, White.
- Specifications:
 - Contact Resistance: 20mΩ max.
 - Insulation Resistance: 100MΩ min.
 - Dielectric Withstanding Voltage: 500V min.
 - Temperature Range: -40~+125°C.
 - Impedance: 50Ω.
 - Operating Cycles: 300 Cycles min.
- Product Number Code:

DS1158-05 - X X X X X X

- wIRE length(Dim. L)
0065:65mm
0300:300mm
- Housing color
W: White
- Contact plating
8: Full gold flash
C: 3u" gold
- Mounting Type
C: Crimp type
- Connector type
S: Socket
- No.of contacts
01

GENERAL TOLERANCE		ANGLE TOLERANCE		PROJECTION		TITLE					
X.	±0.60	X.	±5°	UNITS	mm	SMA Jack + RG178 Cable					
.X	±0.38	.X	±3°	SHEET SIZE	A4	SERIES	DS1158-05 SERIES				
.XX	±0.25	.XX	±2°								
DRAWING TYPE		CUSTOMER		晨翔电子有限公司 CONNELY ELECTRONIC CO. LTD							
SCALE		1:1						SHEET		1 OF 1	
DRAWING NO.		C-DS1158-05-XXXXXX-A									