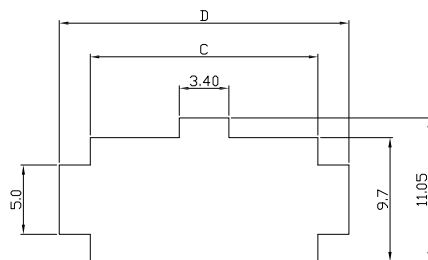
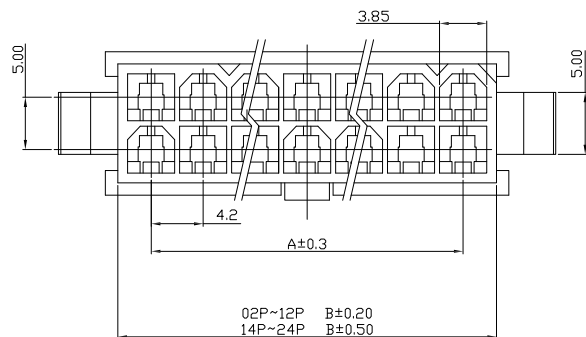
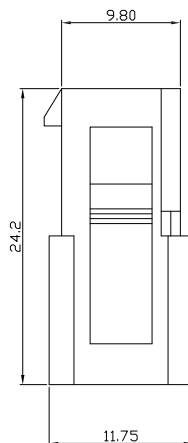
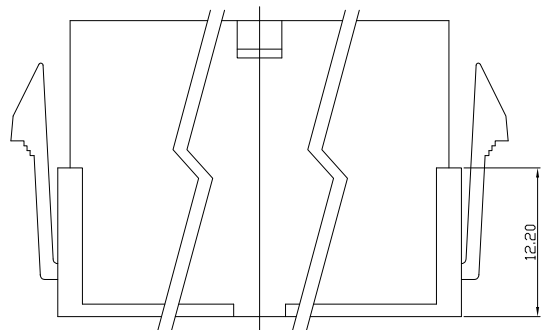


REV.	LOCAS.	DESCRIPTION	DATE	DRAWN
A	NEW	INTERIM INITIAL RELEASE.	2021.11.07	张汝楼

Specifications  
 Rated Voltage: 250V AC DC  
 Rated Current: 7.0A AC DC  
 Insulation Resistance:  $\geq 1000\Omega$   
 Withstand Voltage: 1500V AC/minute  
 Contact Resistance: Initial value/10m $\Omega$  max.  
 After environmental testing: 20m $\Omega$  max.  
 Temperature Range: -40°C to +105°C  
 Material: Nylon-66, UL94V-2  
 Mating With:  
 Terminal: GRR106-T1  
 All materials must meet GREENCONN hazardous substances control standards.



Recomand Mounting Dimension



No. of Pins	DIMENSIONS			
	A	B	C	D
2X01P		5.60	5.80	13.00
2X02P	4.20	9.80	10.00	17.20
2X03P	8.40	14.00	14.20	21.40
2X04P	12.60	18.20	18.40	25.60
2X05P	16.80	22.40	22.60	29.80
2X06P	21.00	26.60	26.80	34.00
2X07P	25.20	30.80	31.00	38.20
2X08P	29.40	35.00	35.20	42.40
2X09P	33.60	39.20	39.40	46.60
2X10P	37.80	43.40	43.60	50.80
2X11P	42.00	47.60	47.80	50.80
2X12P	46.20	51.80	52.00	59.20

## Ordering Information

GHR242 - XX A XX

No. of Pins per Row  
01~12

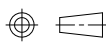
Material/Color  
N=NYLON 66/透明色



Website: www.greenconn.com  
E-mail: sales@greenconn.com

REV. A UNIT. mm SCALE. 1:1

3RD.ANG PROJ.



PAGE. 1/1

### GENERAL TOLERANCE

X.*±5.0'	X.±/
.X*±2.0'	.X±0.25
.XX*±1.0'	.XX±0.15
.XXX*±/	.XXX±0.10

DESIGNED: 张汝楼

DATE: 2021.11.07

CHECKED:

DATE:

APPROVED:

DATE:

DWG. NO.

GHR242-HA

PART NO.

GHR242-XXAN

TITLE.

4.20mm PINCH Housing