

TABLE OF CONTENTS	
SHEET NO.	SHEET DESCRIPTION
1	NOTES AND BOM
2	CONFIGURATIONS
3-4	KEY CONFIGURATIONS
5	BLADE SEALED ASSEMBLY
6	SYSTEM PACKAGING
7	BACKSHELL NOTES
8	BACKSHELL
9	BACKSHELL CONFIGURATIONS

NOTES: VALID UNLESS OTHERWISE SPECIFIED

1. GENERAL:
a. APPLICATION SPECIFICATION SEE: AS-33472-100
-CONTAINS: PRODUCT INTRODUCTION, PRODUCT SUMMARY, CONNECTOR ASSEMBLY, PACKAGING INFORMATION, CONNECTOR MATING, SERVICE INSTRUCTIONS, ELECTRICAL CONTINUITY CHECKING, CRIMPING, AND TROUBLESHOOTING.
-DESIGNED TO MATE WITH RECEPTACLE SEALED ASSEMBLY AS SPECIFIED IN THE MATING CONNECTOR DRAWINGS CHART.
*DENOTES DRAWINGS THAT CAN BE ACCESSED AT <http://ewcap.uscarteams.org/>.
-ASSEMBLY SHIPPED WITH PLR IN PRE-LOCK POSITION (SEE PLR PRE-LOCK VIEW SHEET 5).

b. PRODUCT SPECIFICATION SEE:
-STANDARD CONFIGURATION: PS-33472-000
-UL V0 CONFIGURATION: TBD
CONTAINS: PRODUCT INTRODUCTION, PRODUCT SUMMARY, RATINGS (CURRENT, TEMPERATURE, SEALING, AND FLAMMABILITY), TERMINALS, WIRE DIAMETER RANGE, PRODUCT VALIDATION, AND PRODUCT DEVIATIONS.

c. PACKAGING SPECIFICATION PER MOLEX DRAWING: PK-31300-635

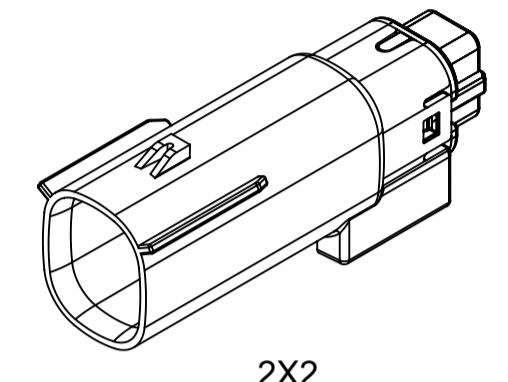
d. PARTS MUST BE IN COMPLIANCE TO MOLEX CHEMICAL SUBSTANCES FOR PRODUCTS AND PACKAGING SPECIFICATION: QEHS-699000-300

e. DATA MUST BE SUBMITTED UNDER THE MOLEX PART NUMBER TO IMDS (COMPANY ID#13255)

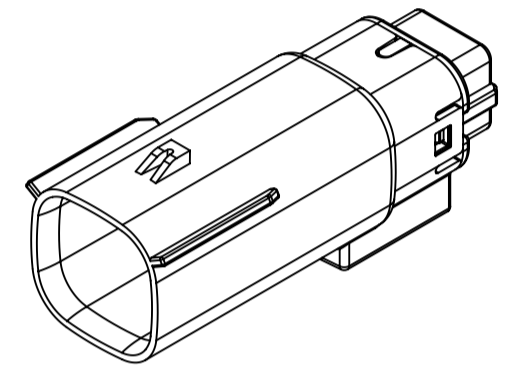
2. DESIGN - MATERIALS:
a. FOR BILL OF MATERIALS SEE:
-STANDARD CONFIGURATION: SD-33482-0002
-UL V0 CONFIGURATION: SD-160084-0002

3. DESIGN - GEOMETRY:
a. THE 3-D CAD DATA IS BASIC (WITHOUT TOLERANCE) AND MASTER FOR THIS PART WITH THE EXCEPTION OF UNDERLINED DIMENSIONS. DIMENSIONAL INFORMATION NOT SHOWN ON THIS DRAWING IS DEFINED BY THE DATA FILE AT ITS LATEST REVISION.
b. GEOMETRIC DIMENSIONS AND TOLERANCES PER ASME Y14.5M-2009
c. EDGES AND UNDIMENSIONED DETAILS PER ISO13715
d. CORNERS SHOWN AS SHARP TO BE R 0.2 MAX.
e. LETTERING SHALL BE 0.15 MAX RAISED IN 0.25 MAX RECESS PAD. THIS INCLUDES RECYCLING CODE, CAVITY ID, VENDOR IDENTIFICATION, AND CUSTOMER MATERIAL NUMBER.
f. VISUAL DEFECTS SHALL MEET COSMETIC STANDARD PS-45499-002 (Class B).
g. LASER MARKING:
1. PART NUMBER
2. DAY OF THE YEAR
3. SHIFT
4. YEAR
FOR ADDITIONAL INFORMATION SEE SECTION 5 UNDER PROCEDURES IN ES-34735-008.

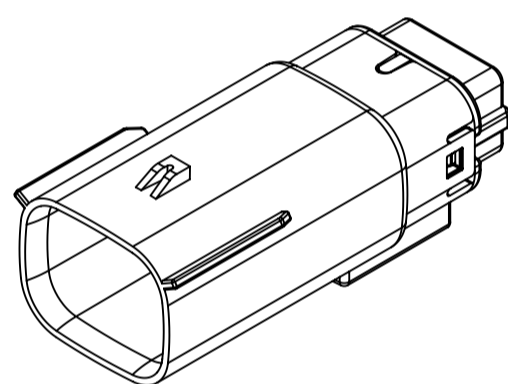
MATING CONNECTOR DRAWINGS	
DESCRIPTION	MOLEX INLINE
2X2	SD-33472-0001
2X3	SD-33472-0001
2X4	SD-33472-0001
2X6	SD-33472-0001
2X8	SD-33472-0001
2X10	SD-33472-0001



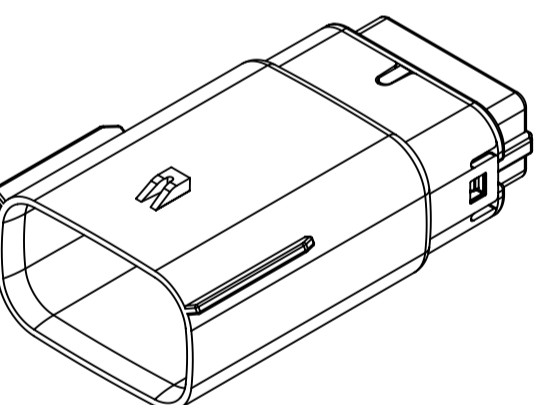
2X2



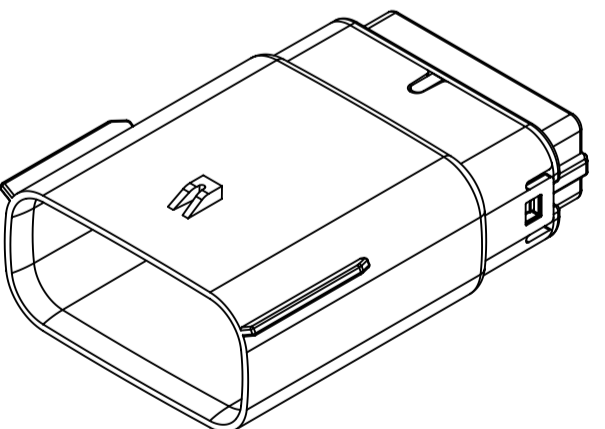
2X3



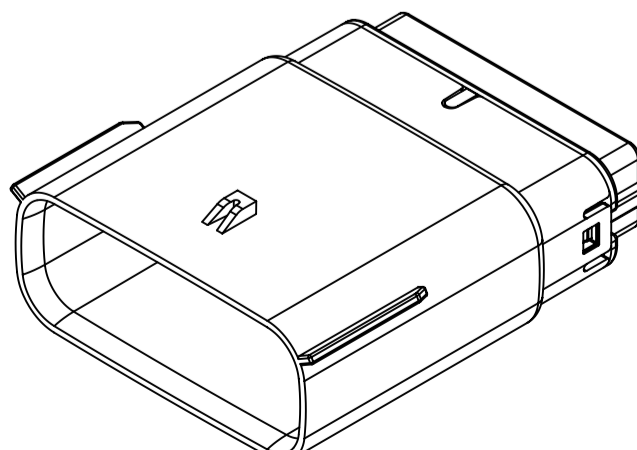
2X4



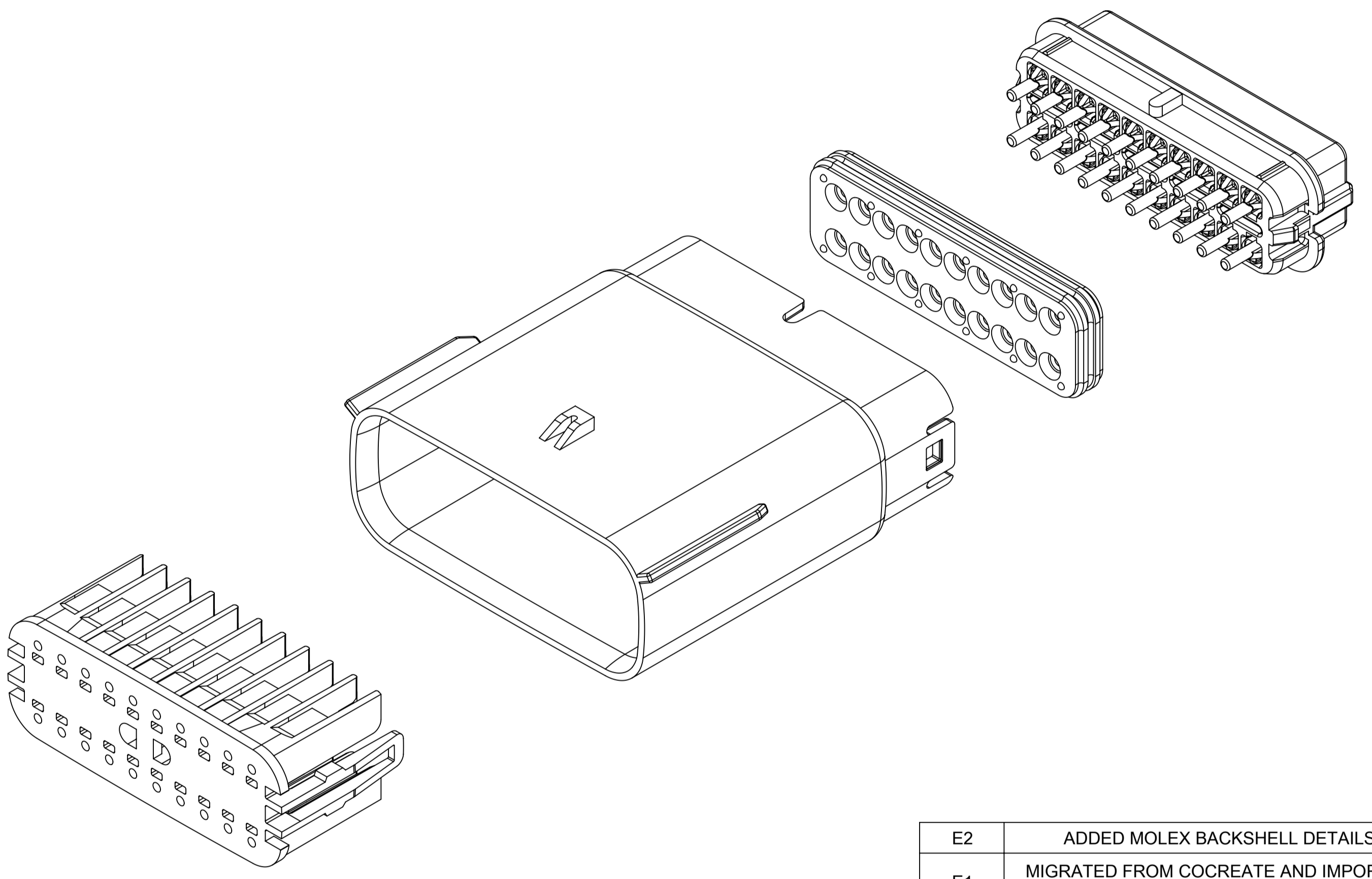
2X6



2X8



2X10

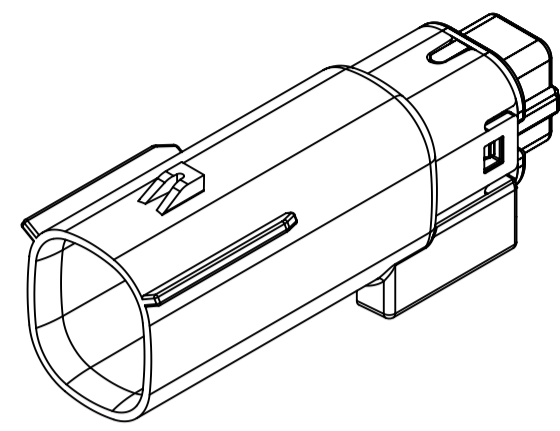


REV	REV DESCRIPTION
E2	ADDED MOLEX BACKSHELL DETAILS
E1	MIGRATED FROM COCREATE AND IMPORTED DXF FILES
E	ADDED CHARTED DIMENSIONS FOR 2X2, 2X4, 2X6 AND 2X8 WITH CLIPSLLOT
D	MINOR GEOMETRY CHANGE FOR UL V0
C3	ADD 2X4
C2	ADD 2X3
C1	ADD UL V0 CONFIGURATIONS
C	ADD 2X8
B1	ADD 2X6 BACKSHELL INFO
B	ADD 2X6
A	INITIAL RELEASE
REV	REV DESCRIPTION

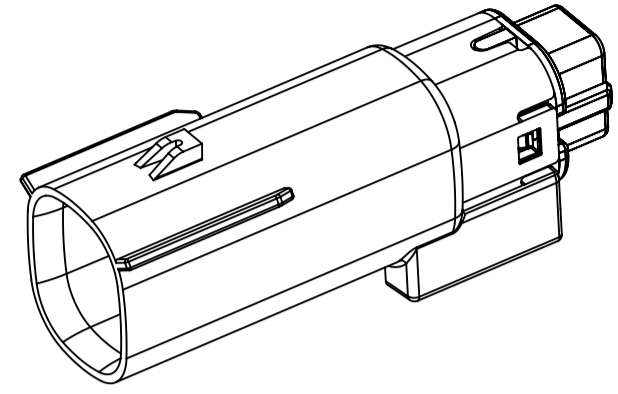
INSPECTION NUMBER LOG	
LAST NUMBER:	9
ADDED:	
REMOVED:	

SYMBOLS = 0 mm = 0 GENERAL TOLERANCES (UNLESS SPECIFIED) = 0 ANGULAR TOL ± 1.0° = 0 4 PLACES ± = 0 3 PLACES ± = 0 2 PLACES ± 0.1 = 0 1 PLACE ± 0.2 = 0 0 PLACES ± = 0 DRAFT WHERE APPLICABLE MUST REMAIN WITHIN DIMENSIONS	THIS DRAWING CONTAINS INFORMATION THAT IS PROPRIETARY TO MOLEX ELECTRONIC TECHNOLOGIES, LLC AND SHOULD NOT BE USED WITHOUT WRITTEN PERMISSION DIMENSION UNITS: mm SCALE: 1.5:1		CURRENT REV DESC: EC NO: 171650 DRWN: PMANJUNATHAC 2018/01/03 CHK'D: MVANSLAMBROU 2018/02/16 APPR: MVANSLAMBROU 2018/02/16		 MX150 BLADE DUAL ROW SEALED ASSEMBLY MAT SEAL	
	INITIAL REVISION: DRWN: APROFFITT 2014/04/28 APPR: VKOSHY 2014/05/14		PRODUCT CUSTOMER DRAWING			
	DOCUMENT NUMBER: SD-33482-0001		DOC TYPE: PSD DOC PART: 001 REVISION: E2		MATERIAL NUMBER: CUSTOMER: GENERAL MARKET SHEET NUMBER: 1 OF 11	
	DRAFT WHERE APPLICABLE MUST REMAIN WITHIN DIMENSIONS		THIRD ANGLE PROJECTION		DRAWING: A1-SIZE SERIES: 33482	

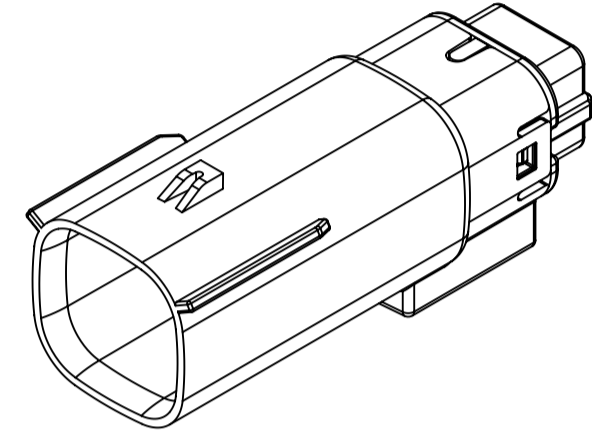
SHEET DESCRIPTION
CONFIGURATIONS



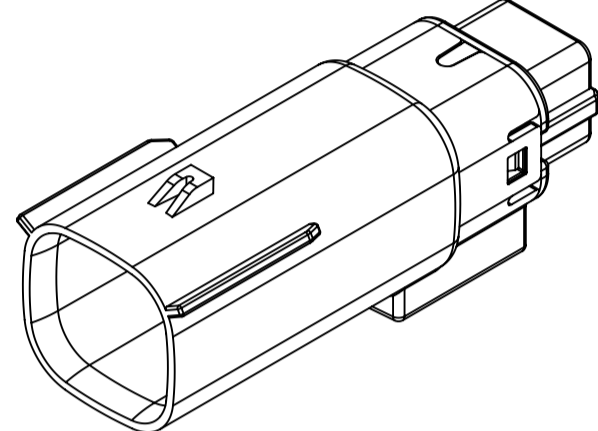
2X2 - STANDARD (STD)



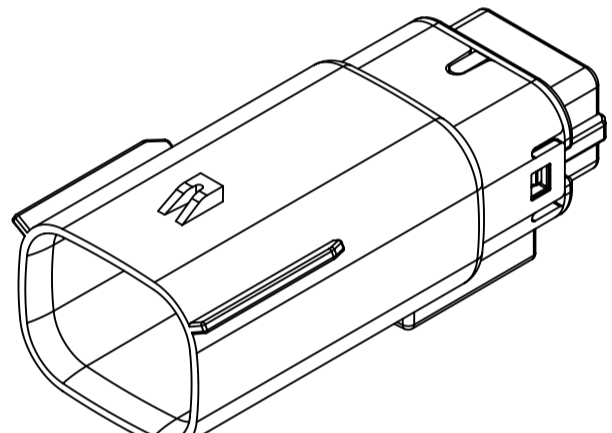
2X2 - UL V0*



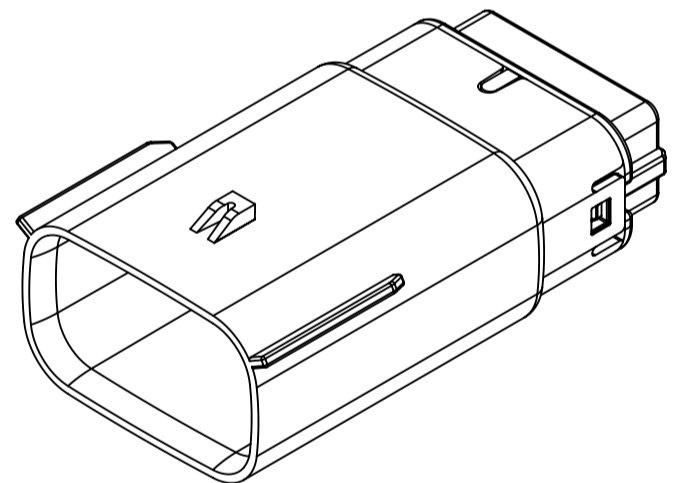
2X3 - STANDARD (STD)



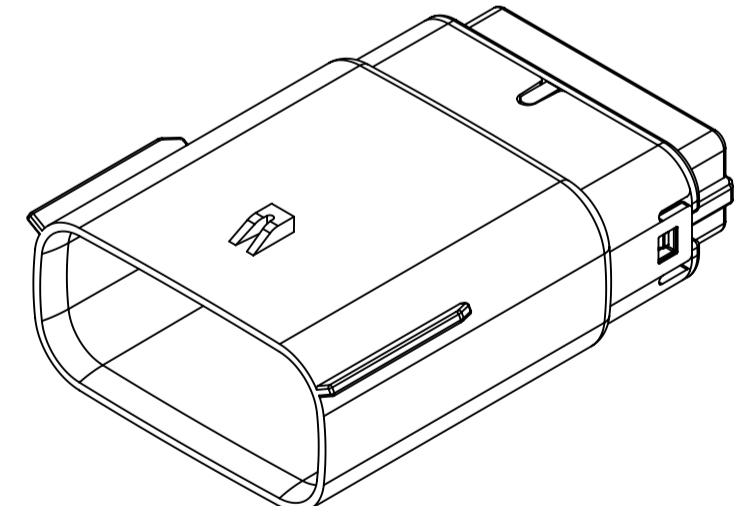
2X3 - LENGTHENED



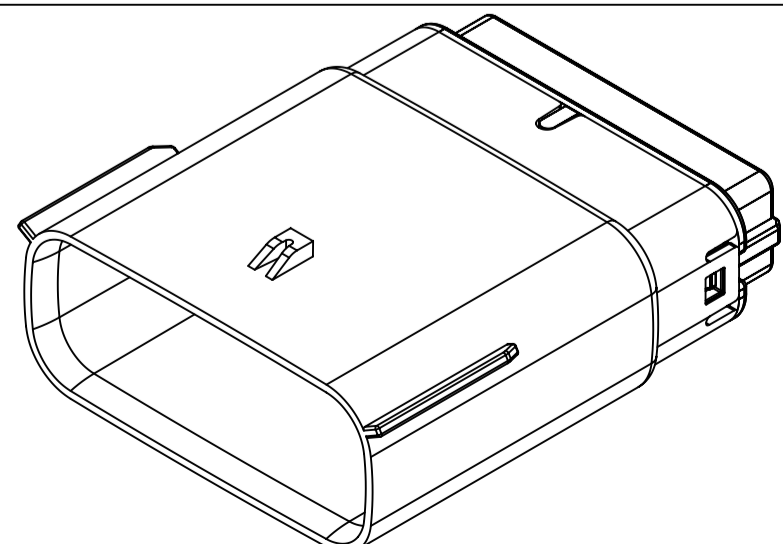
2X4 - STANDARD (STD)



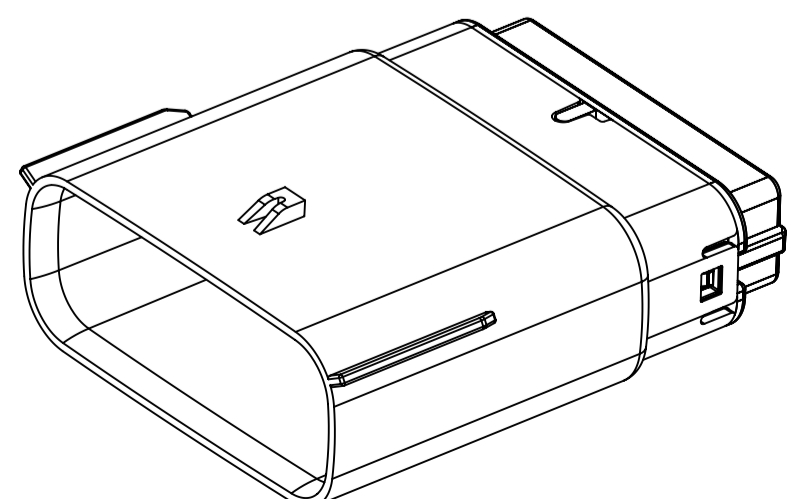
2X6 - STANDARD (STD)



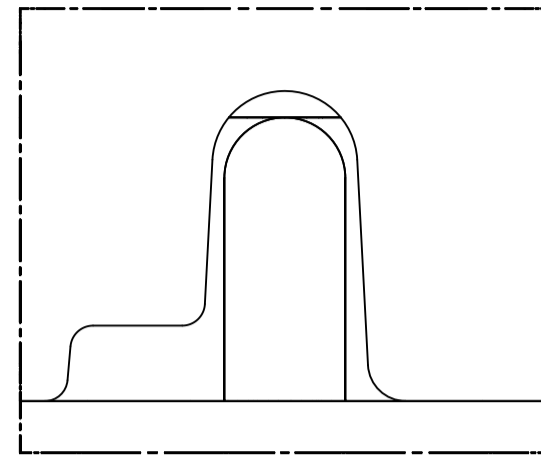
2X8 - STANDARD (STD)



2X10 - STANDARD (STD)



2X10 - UL V0*



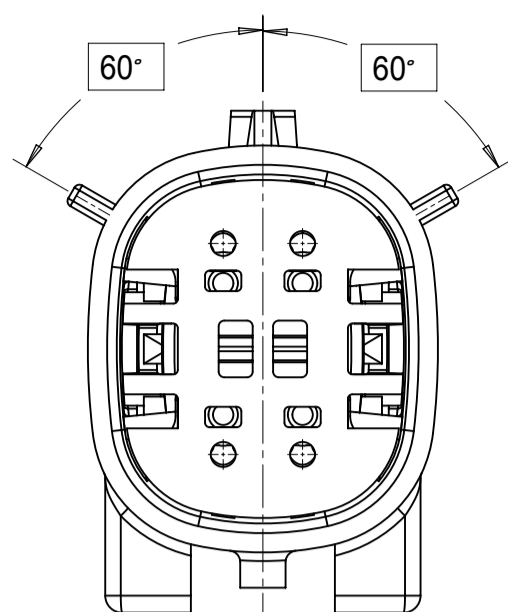
UL V0 UNIQUE FEATURE
Partial1
SCALE 10:1

* MINOR GEOMETRY CHANGE THAN STANDARD CONFIGURATION.
SEE NOTE 2a FOR MORE INFORMATION

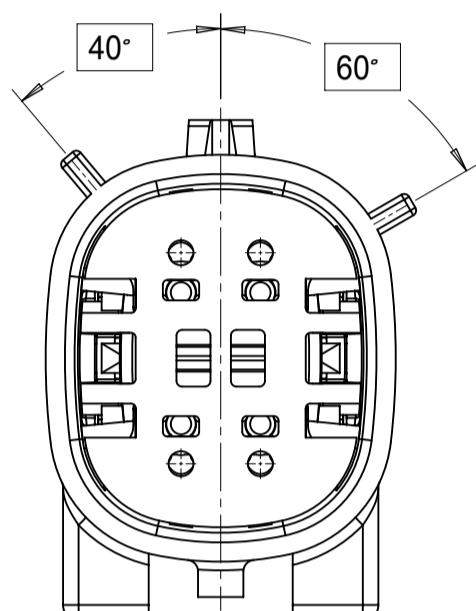
SYMBOLS = 0 = 0 = 0 = 0 = 0 = 0 = 0 = 0 = 0 = 0	THIS DRAWING CONTAINS INFORMATION THAT IS PROPRIETARY TO MOLEX ELECTRONIC TECHNOLOGIES, LLC AND SHOULD NOT BE USED WITHOUT WRITTEN PERMISSION		CURRENT REV DESC:		 MX150 BLADE DUAL ROW SEALED ASSEMBLY MAT SEAL		
	DIMENSION UNITS	SCALE	EC NO: 171650				
	mm	1.5:1	DRWN: PMANJUNATHAC 2018/01/03		SD-33482-0001	PSD	001
	GENERAL TOLERANCES (UNLESS SPECIFIED)		CHK'D: MVANSLAMBROU 2018/02/16		REVISION		
	ANGULAR TOL ± 1.0°		APPR: MVANSLAMBROU 2018/02/16		E2		
	4 PLACES ±		INITIAL REVISION:		MATERIAL NUMBER		
	3 PLACES ±		DRWN: APROFFITT 2014/04/28		CUSTOMER		
	2 PLACES ± 0.1		APPR: VKOSHY 2014/05/14		GENERAL MARKET		
	1 PLACE ± 0.2		THIRD ANGLE PROJECTION		SHEET NUMBER		
	0 PLACES ±		DRAWING		2 OF 11		
DRAFT WHERE APPLICABLE MUST REMAIN WITHIN DIMENSIONS		SERIES					
		A1-SIZE					
		33482					

SHEET DESCRIPTION
KEY CONFIGURATIONS

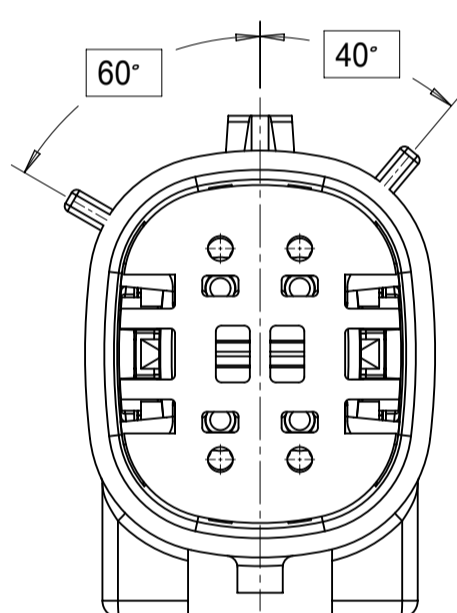
2X2



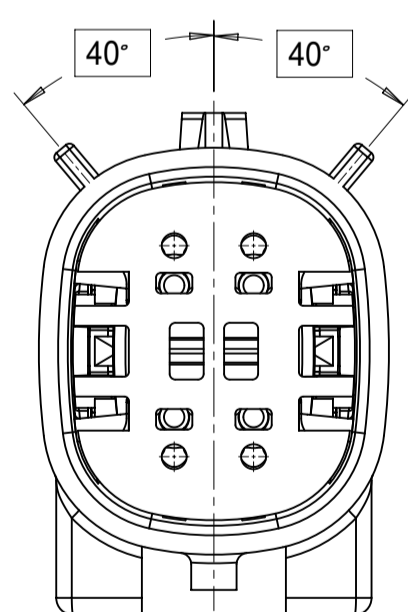
KEY A



KEY B

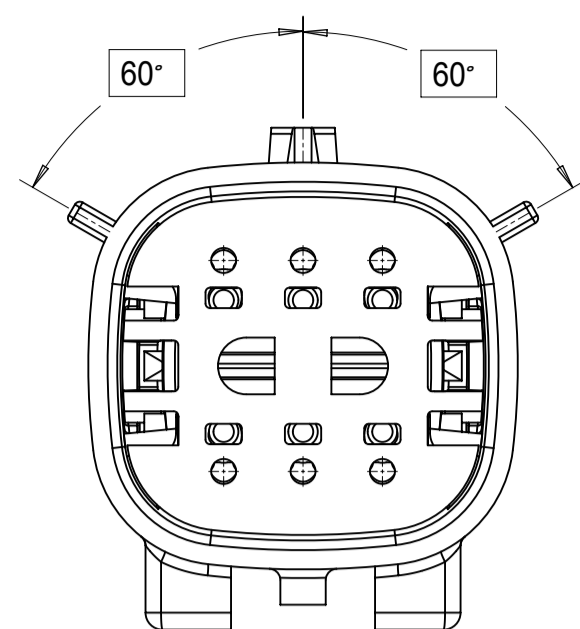


KEY C

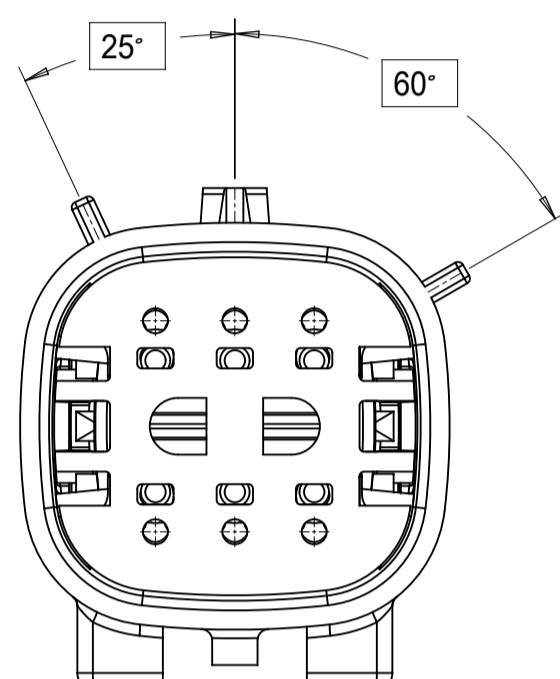


KEY D

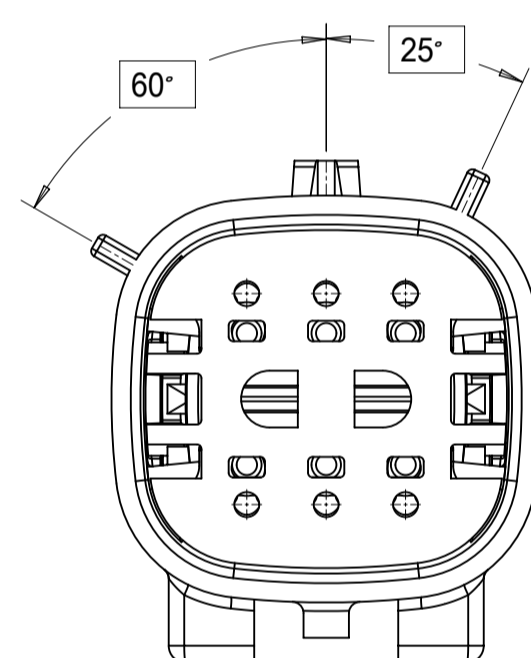
2X3



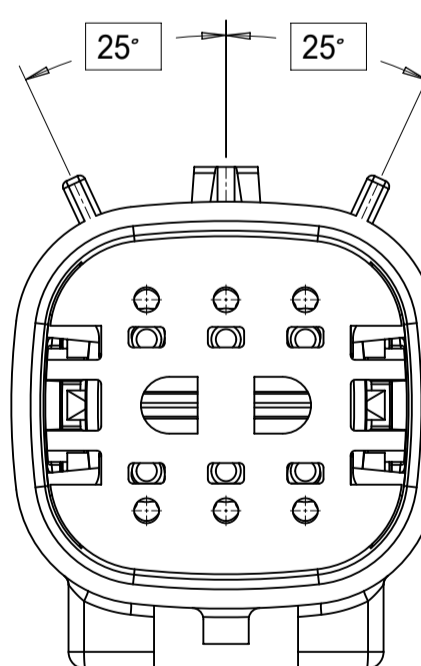
KEY A



KEY B

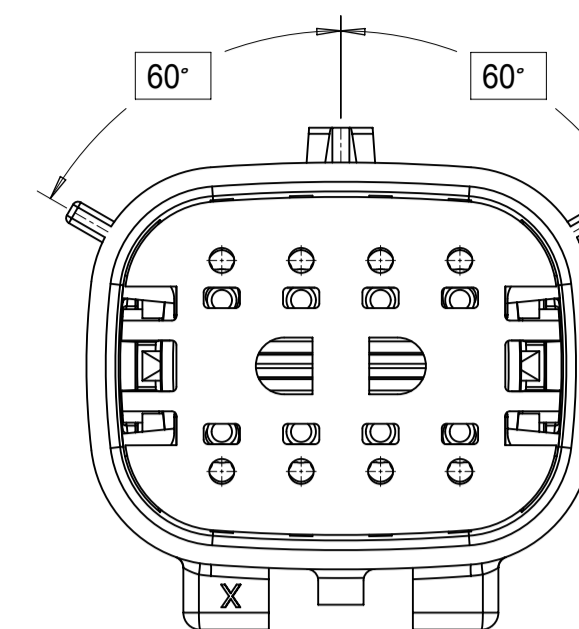


KEY C

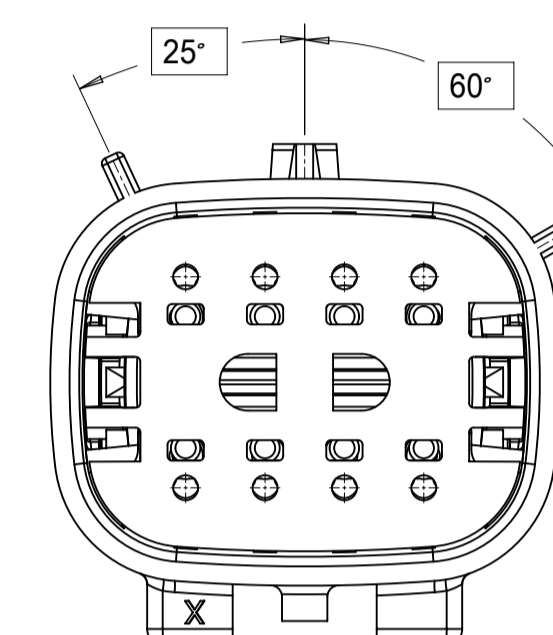


KEY D

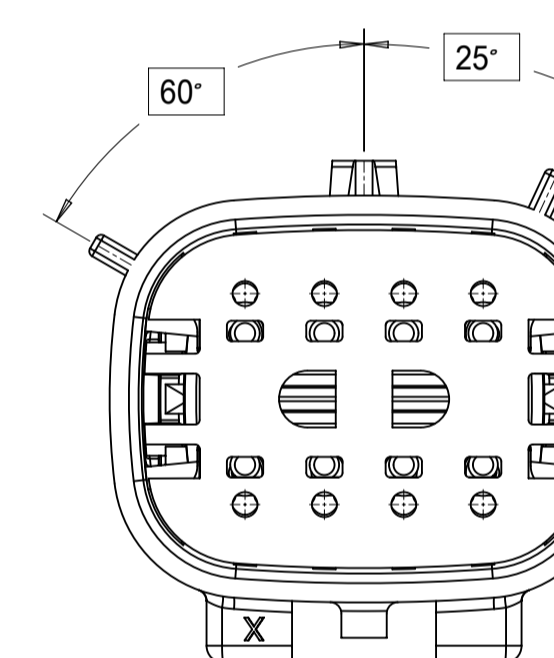
2X4



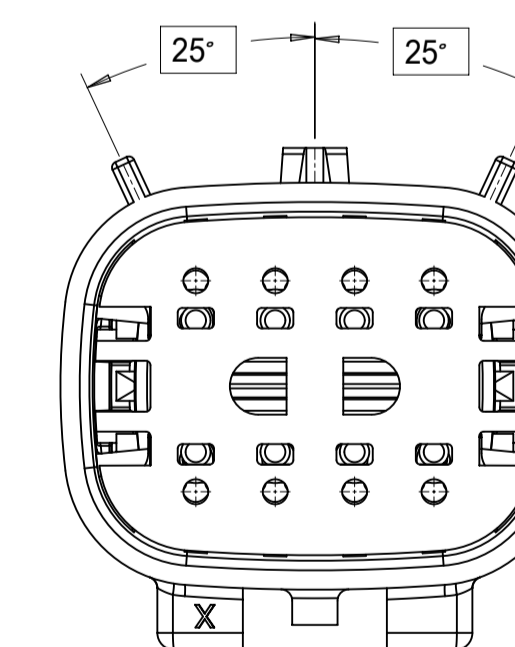
KEY A



KEY B



KEY C

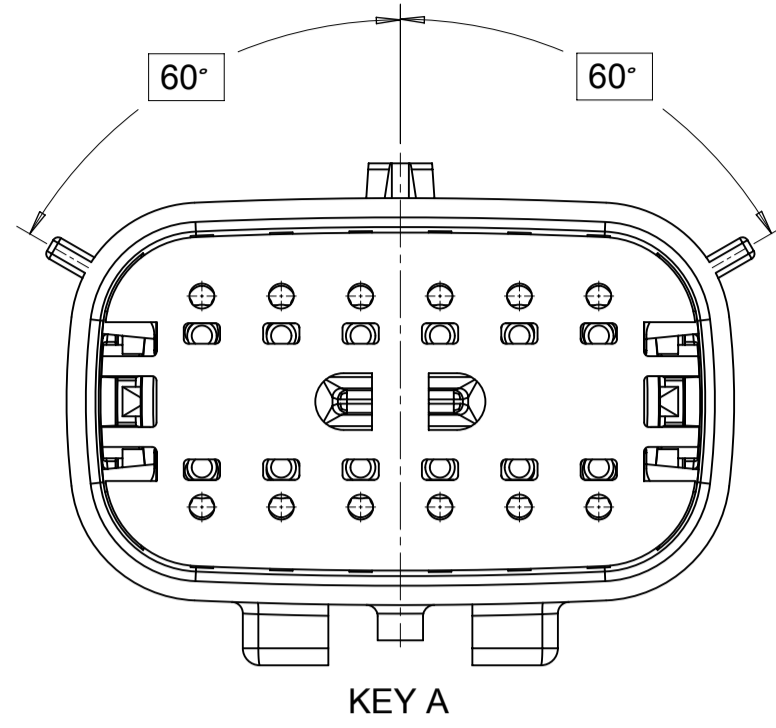


KEY D

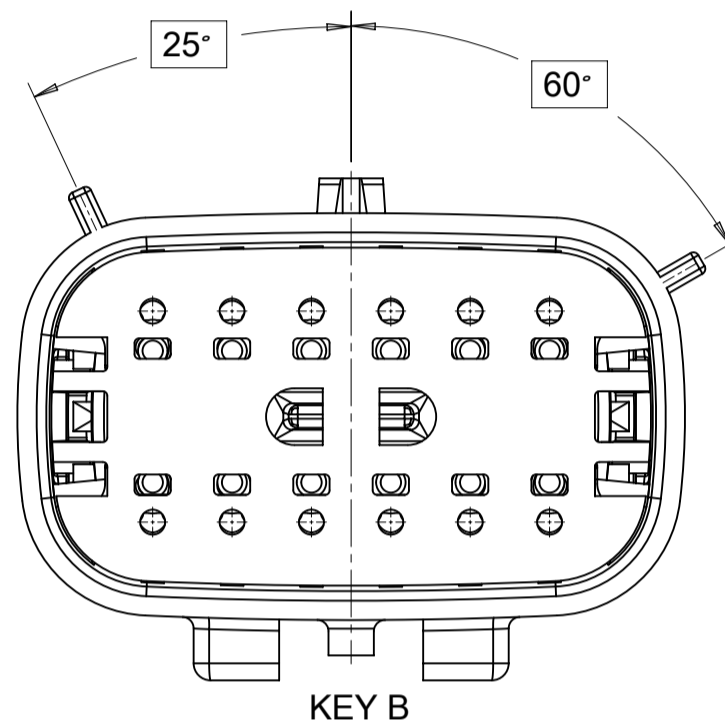
SYMBOLS = 0 = 0 = 0 = 0 = 0 = 0 = 0 = 0 = 0 = 0	THIS DRAWING CONTAINS INFORMATION THAT IS PROPRIETARY TO MOLEX ELECTRONIC TECHNOLOGIES, LLC AND SHOULD NOT BE USED WITHOUT WRITTEN PERMISSION		CURRENT REV DESC:		 MX150 BLADE DUAL ROW SEALED ASSEMBLY MAT SEAL	
	DIMENSION UNITS mm	SCALE 3:1	EC NO: 171650 DRWN: PMANJUNATHAC 2018/01/03 CHK'D: MVANSLAMBROU 2018/02/16 APPR: MVANSLAMBROU 2018/02/16			
	GENERAL TOLERANCES (UNLESS SPECIFIED)		INITIAL REVISION:		DOCUMENT NUMBER SD-33482-0001	
	ANGULAR TOL ± 1.0°		DRWN: APROFFITT 2014/04/28 2014/05/14		DOC TYPE DOC PART REVISION PSD 001 E2	
	4 PLACES ±		APPR: VKOSHY		MATERIAL NUMBER 33482	
	3 PLACES ±		THIRD ANGLE PROJECTION		CUSTOMER GENERAL MARKET	
	2 PLACES ± 0.1		DRAFT WHERE APPLICABLE MUST REMAIN WITHIN DIMENSIONS		SHEET NUMBER 3 OF 11	
	1 PLACE ± 0.2		DRAWING A1-SIZE		SERIES 33482	
	0 PLACES ±		DIMENSION UNITS mm		SCALE 3:1	

SHEET DESCRIPTION
KEY CONFIGURATIONS CONT.

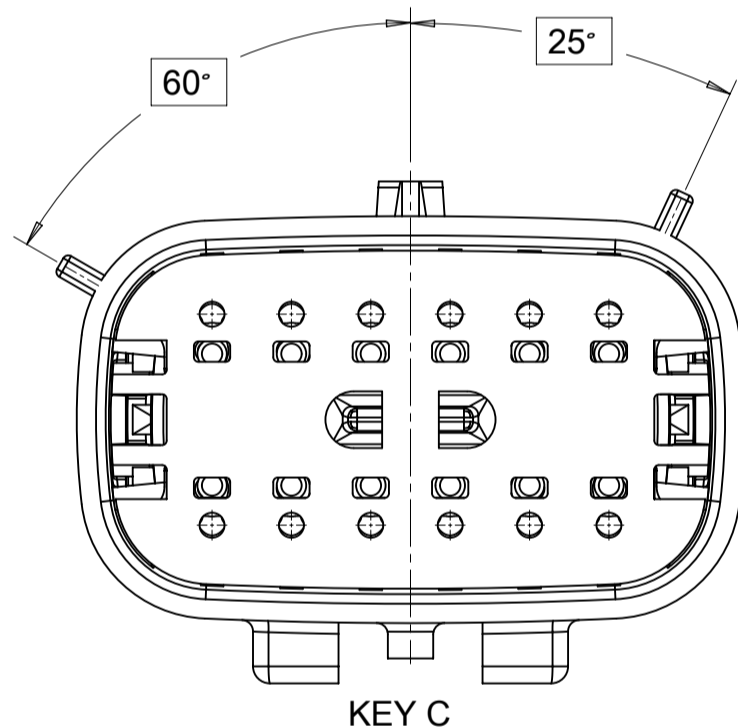
2X6



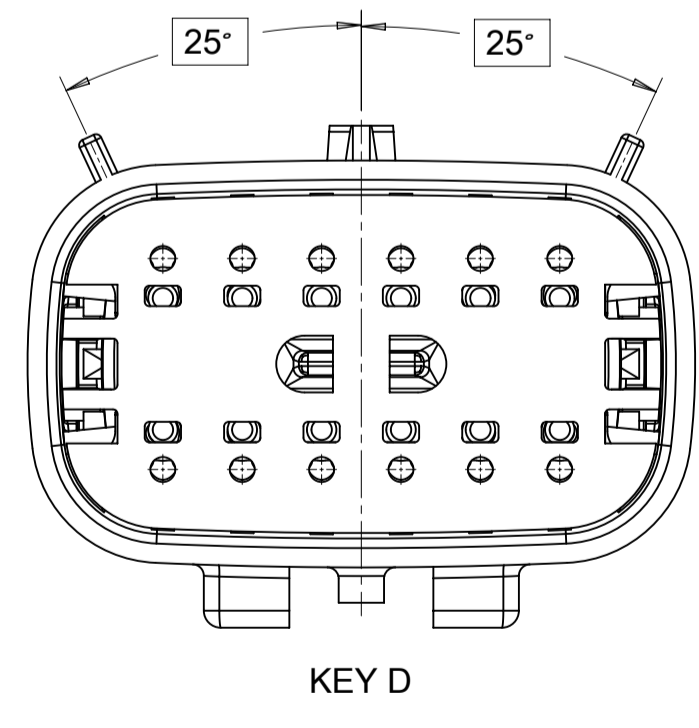
KEY A



KEY B

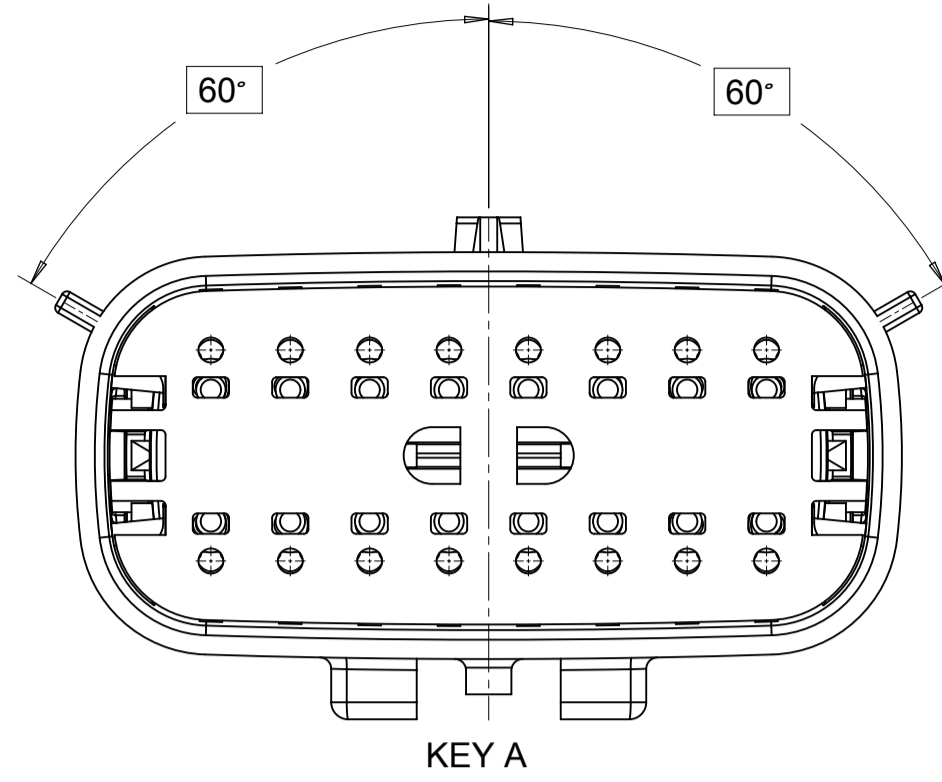


KEY C

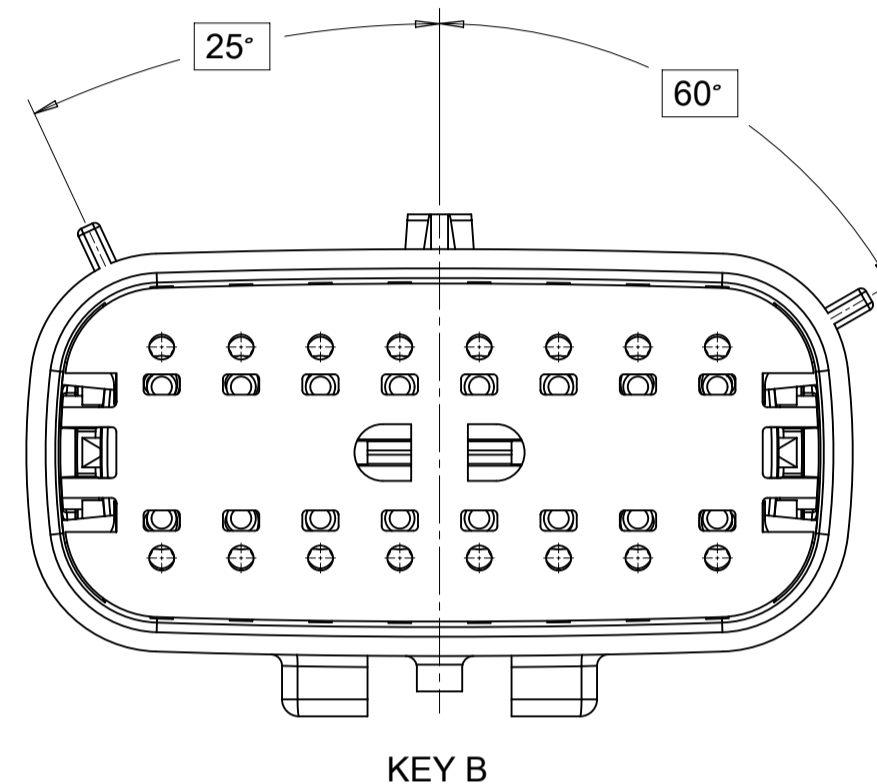


KEY D

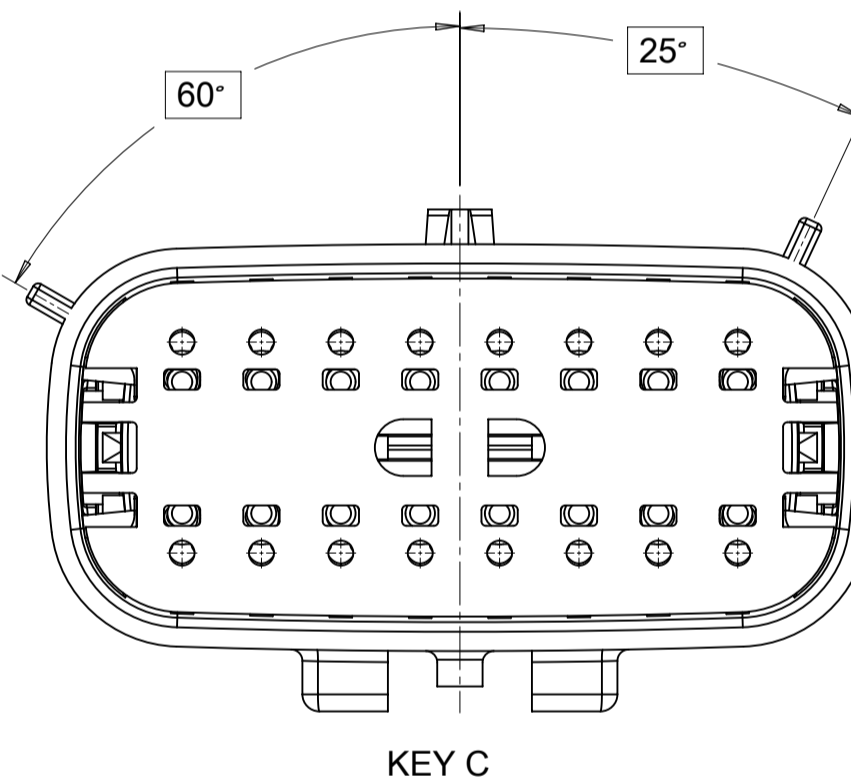
2X8



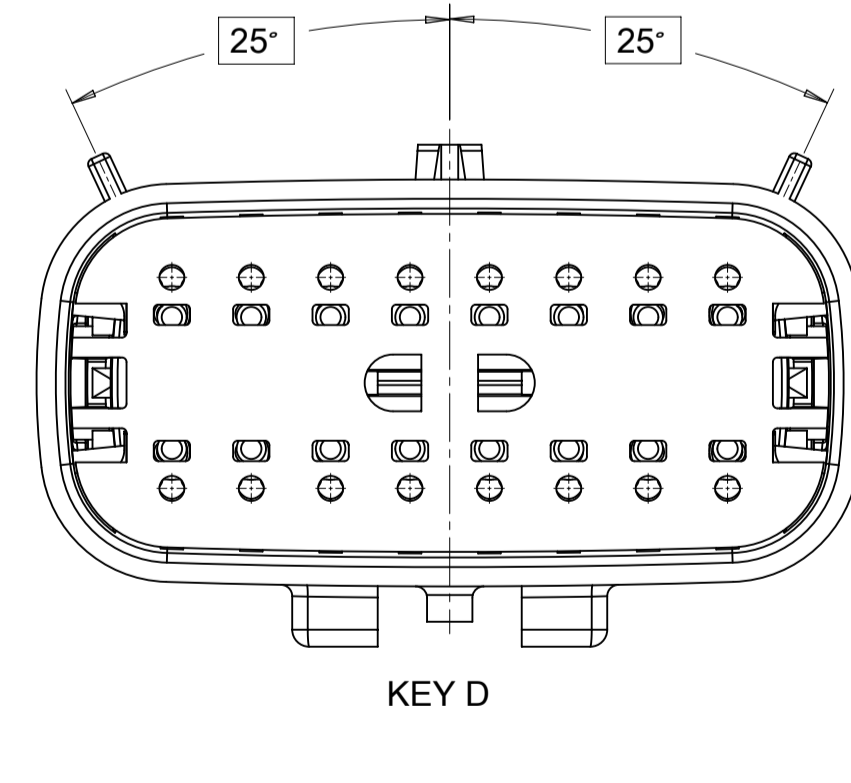
KEY A



KEY B

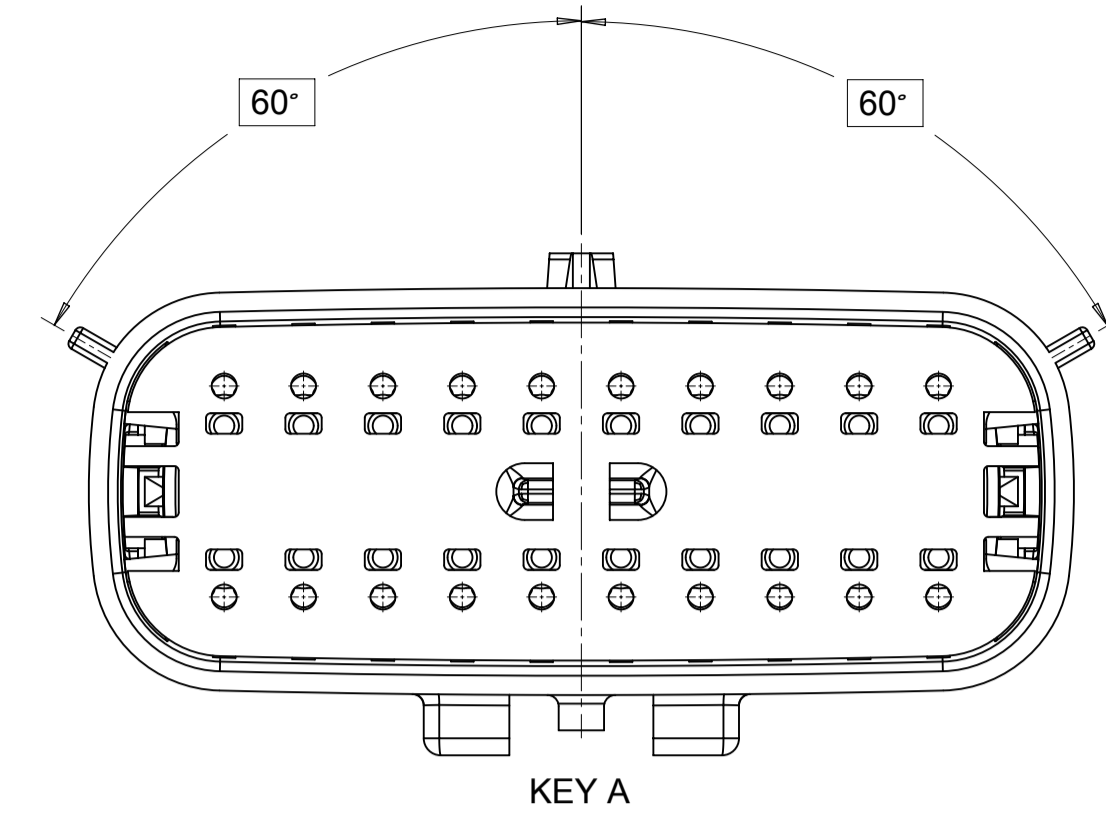


KEY C

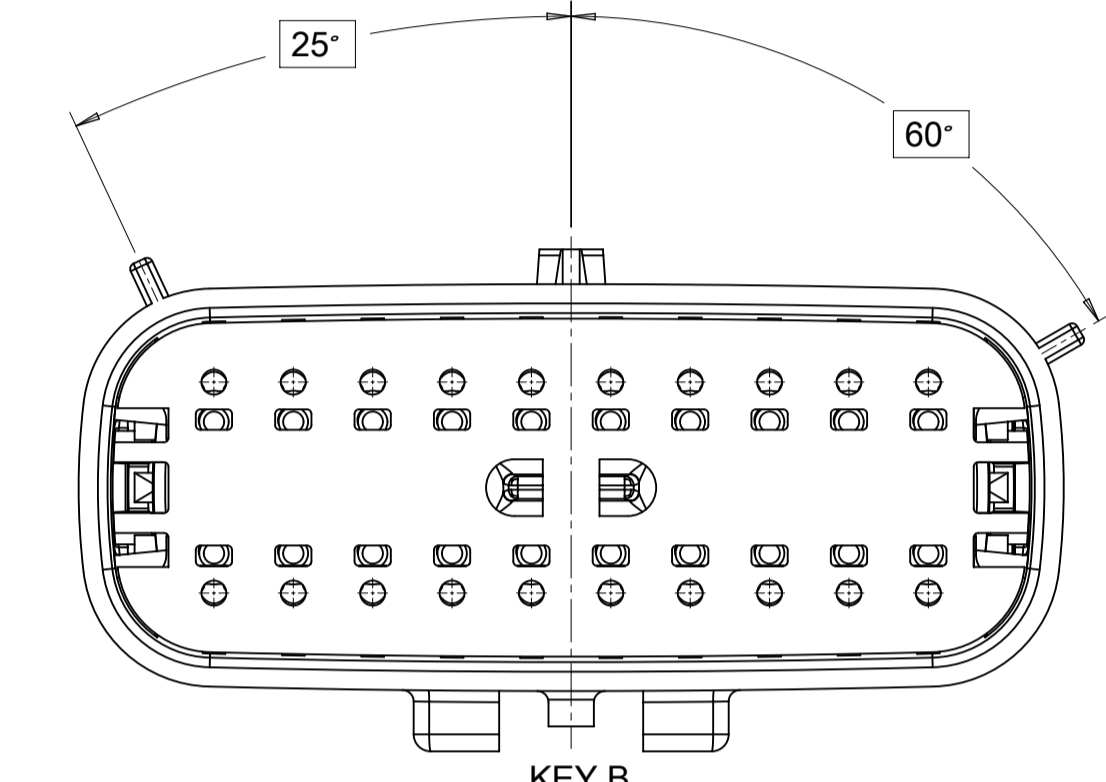


KEY D

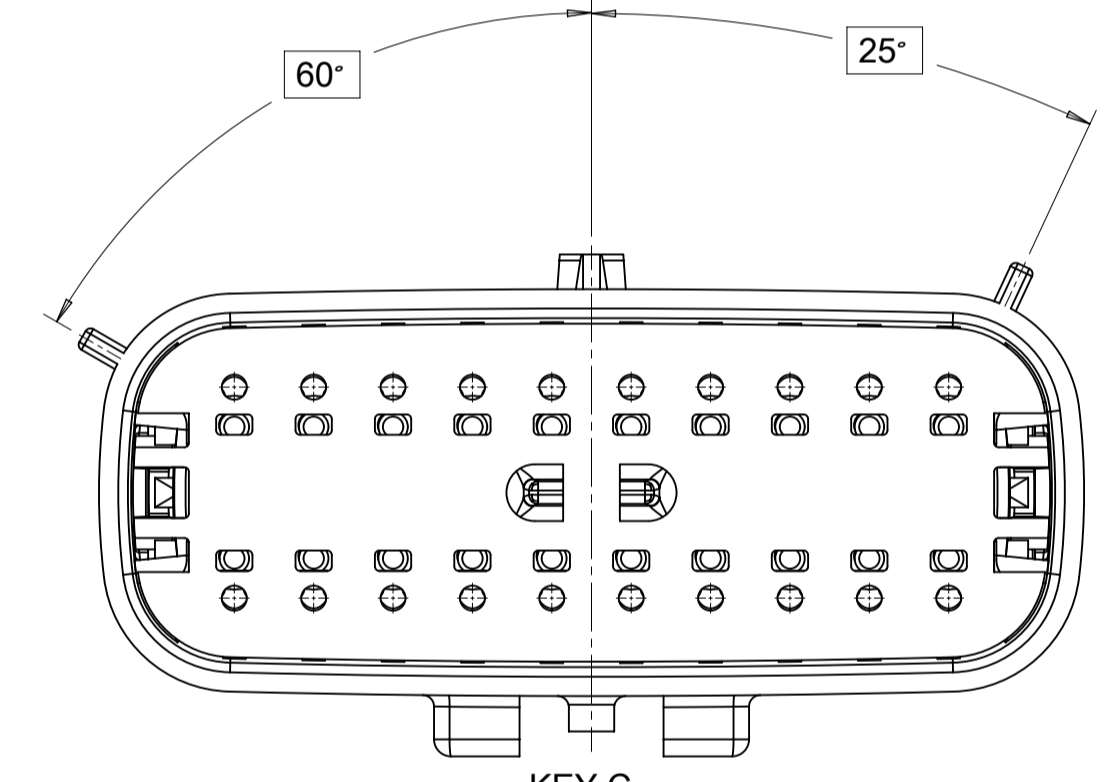
2X10



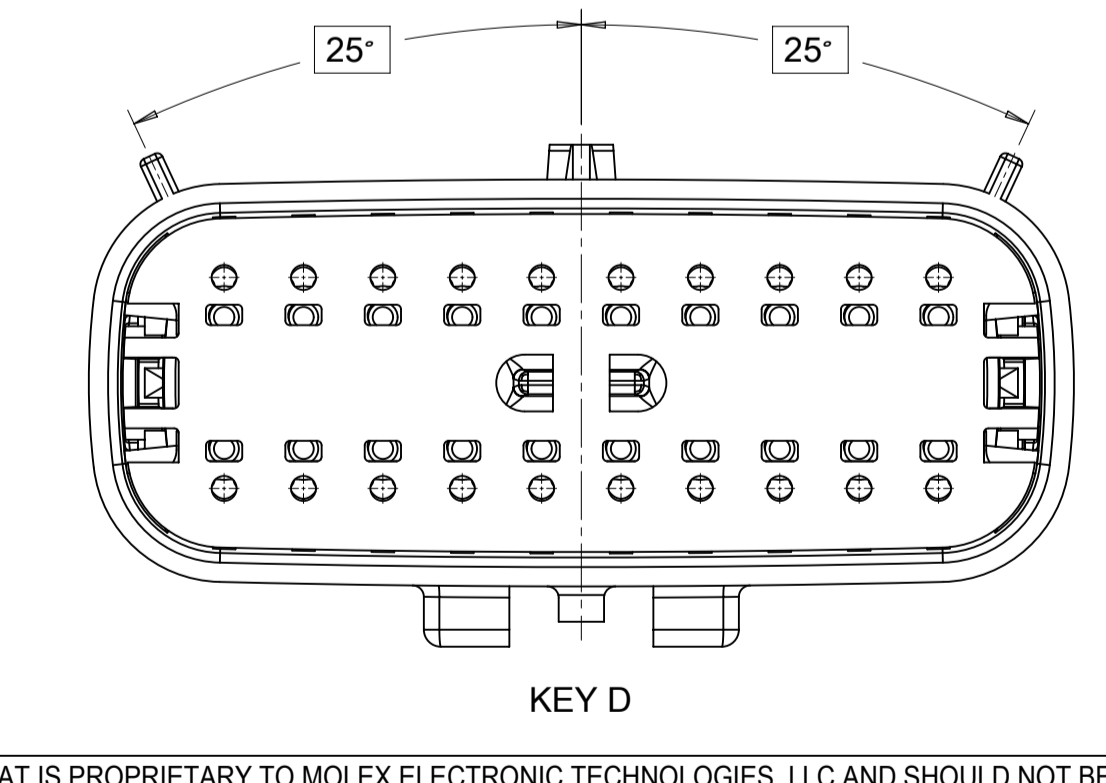
KEY A



KEY B



KEY C

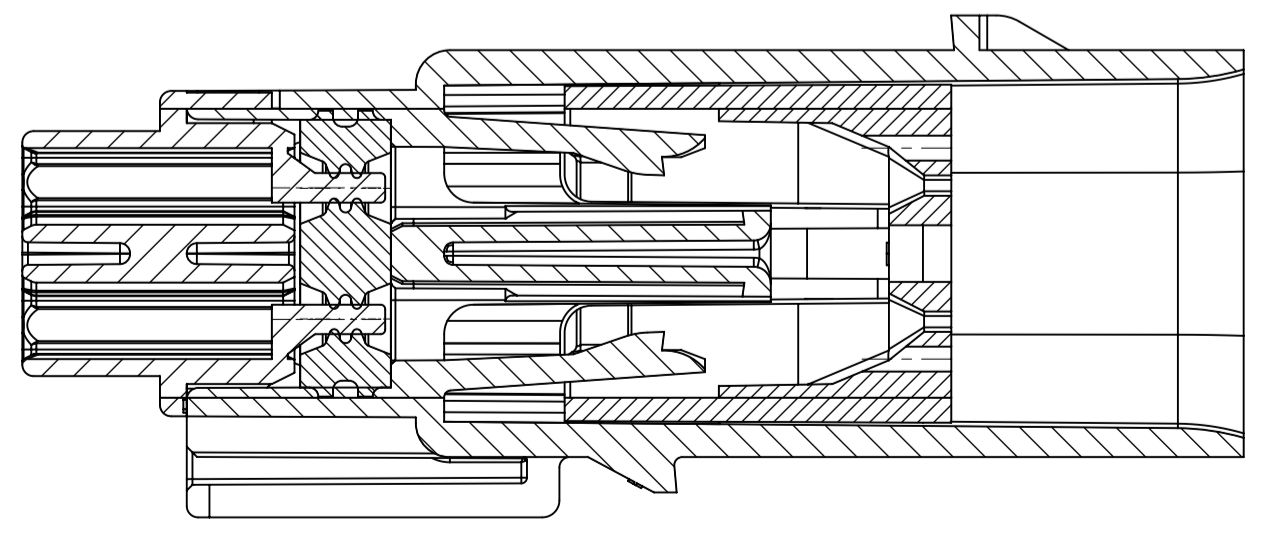
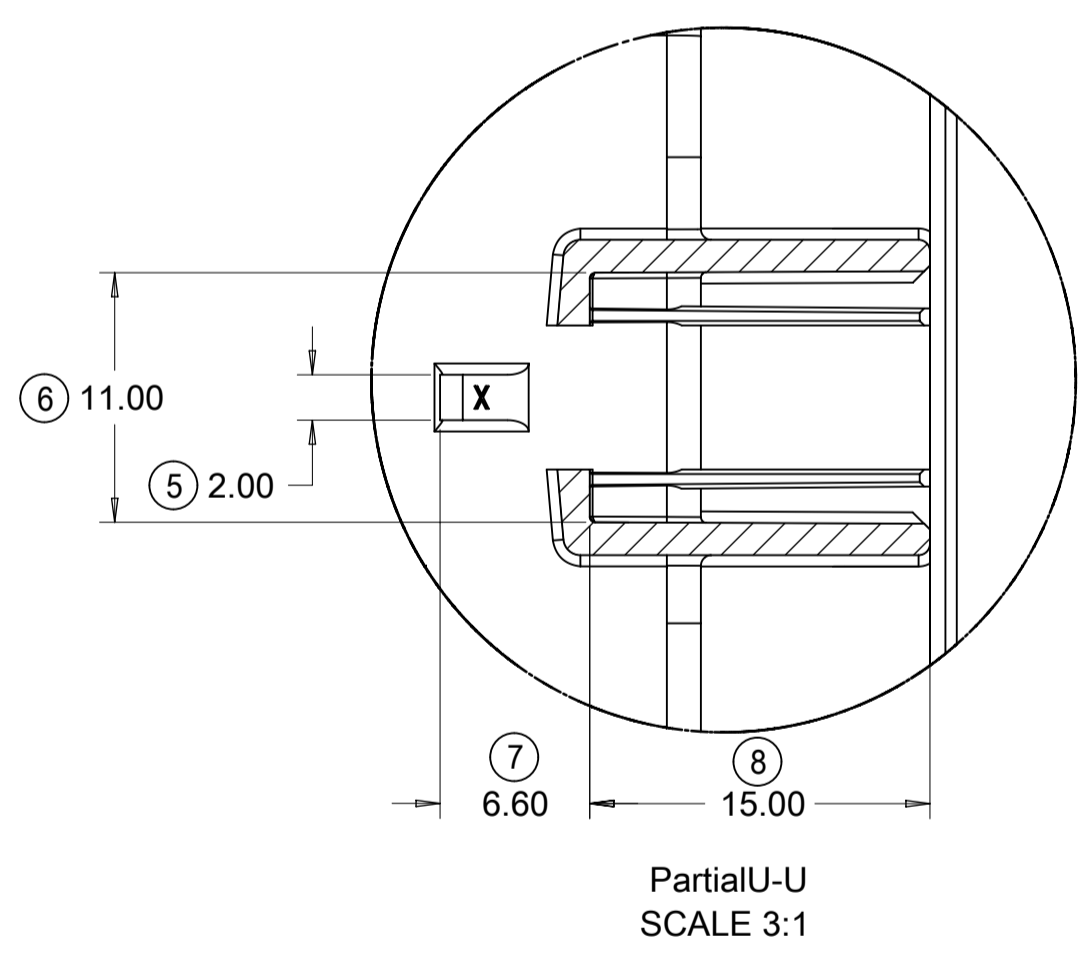
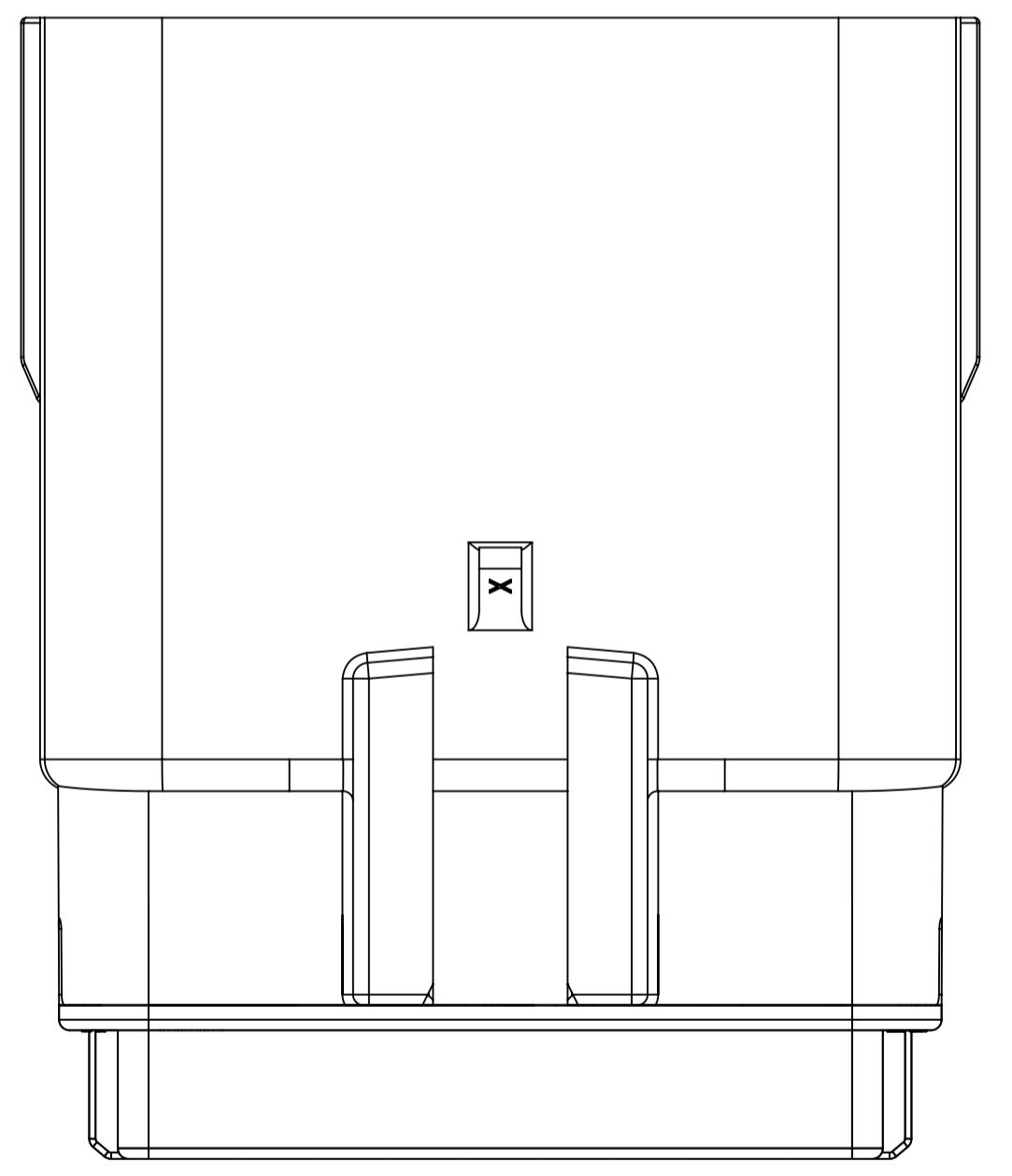
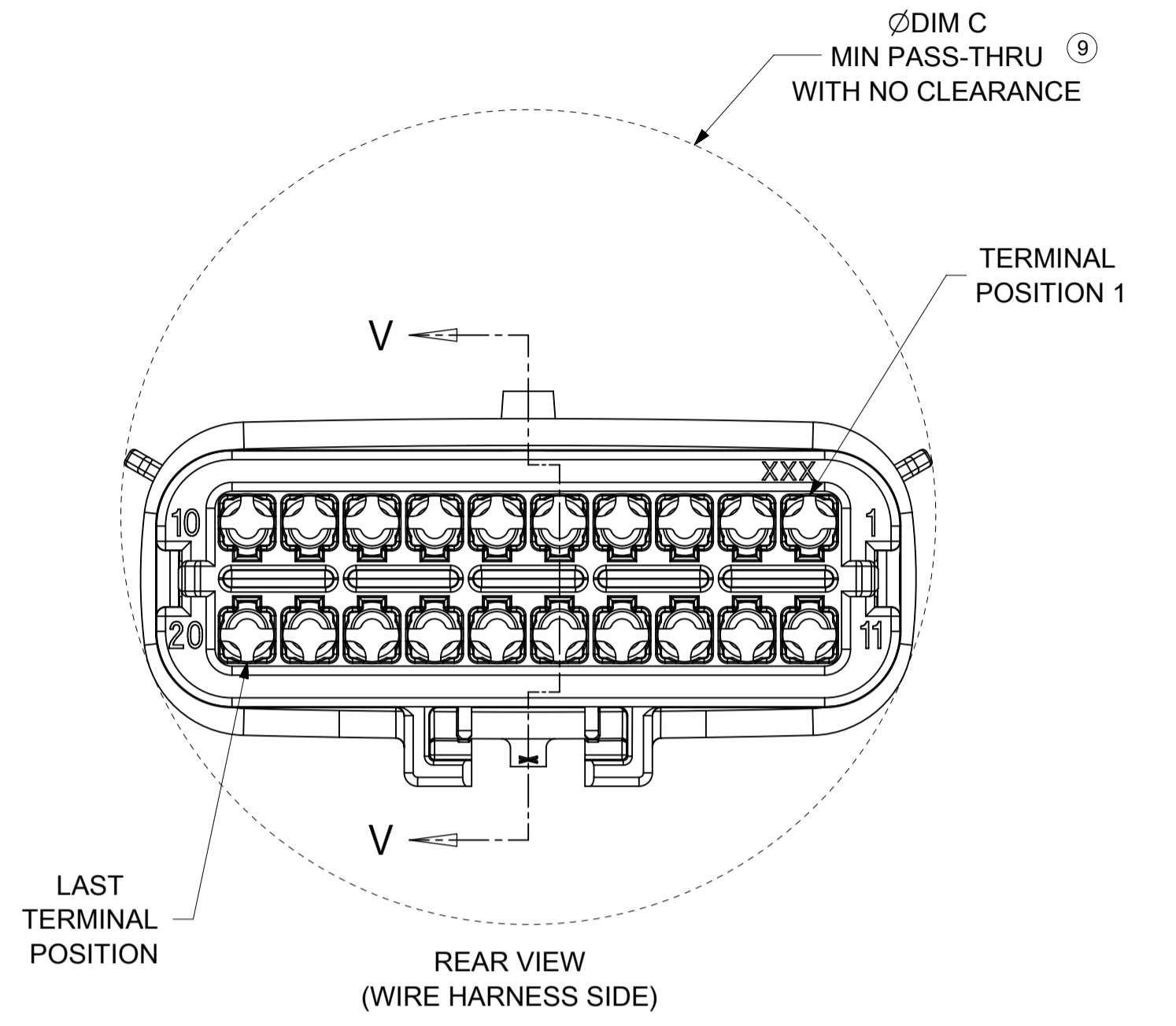
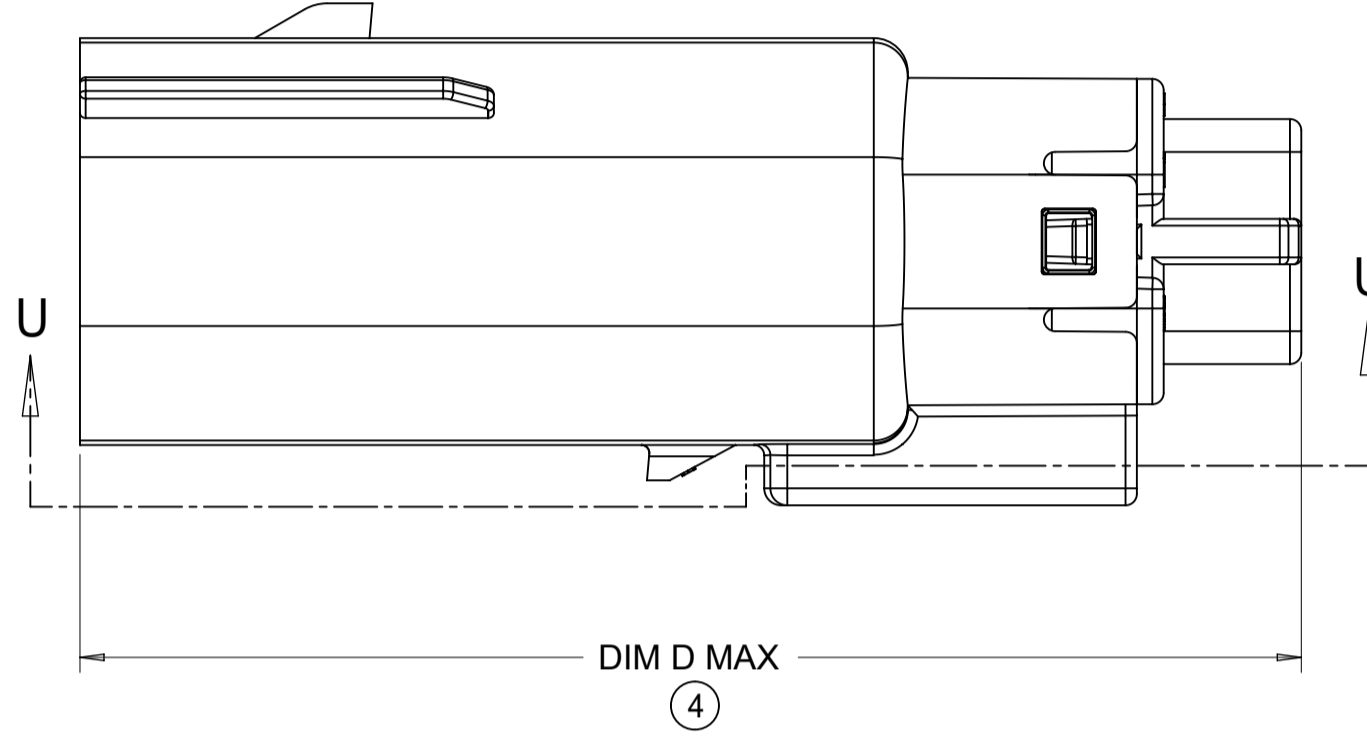
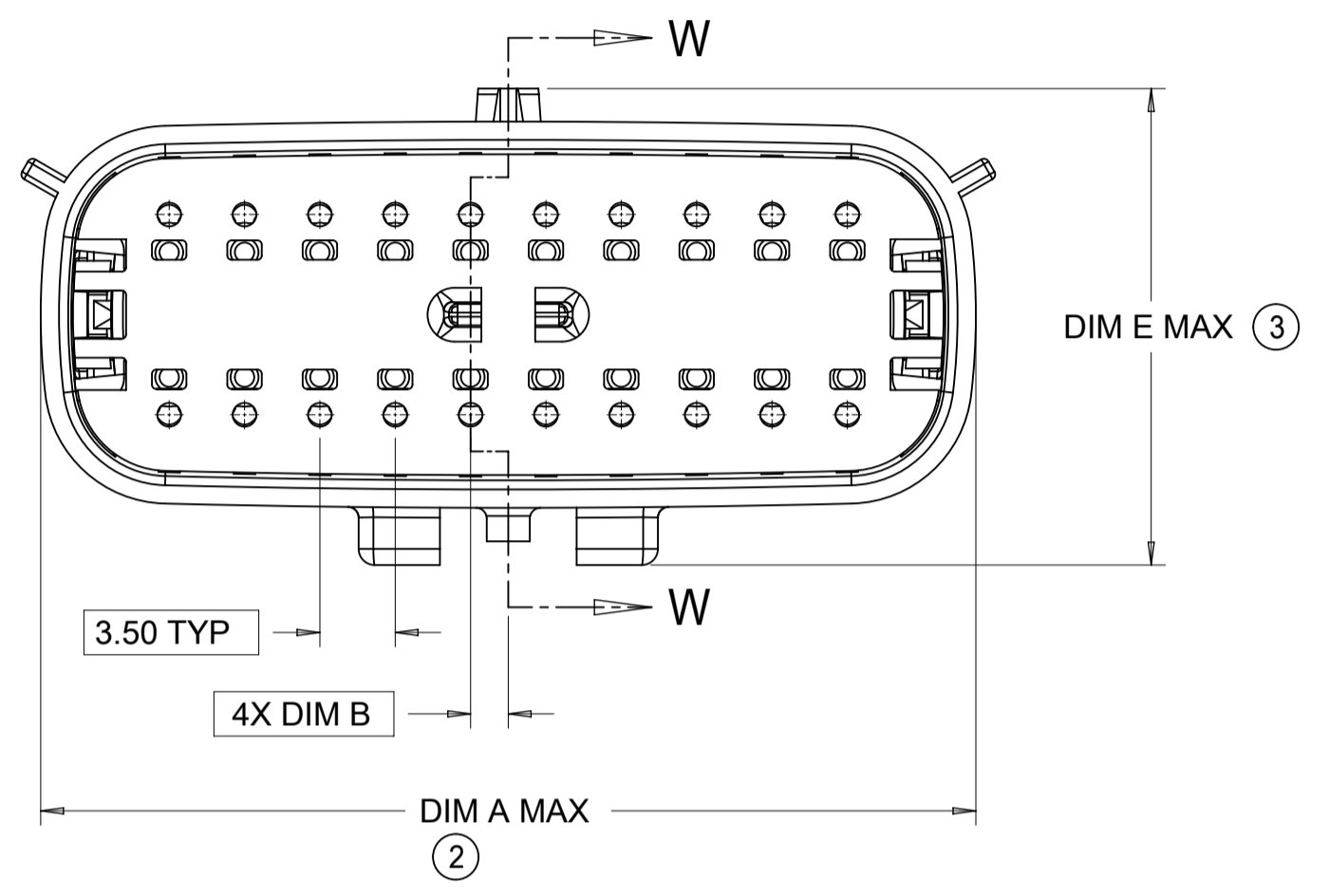
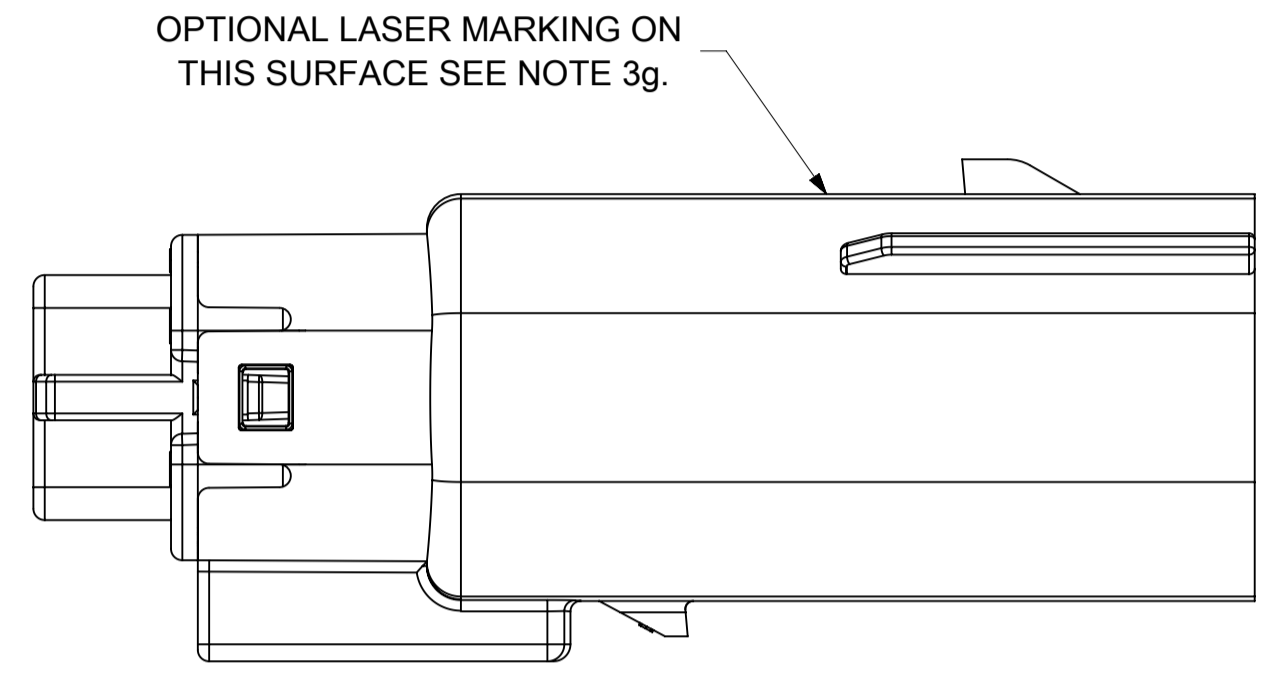


KEY D

SYMBOLS = 0 = 0 = 0 = 0 = 0 = 0 = 0 = 0 = 0 = 0	THIS DRAWING CONTAINS INFORMATION THAT IS PROPRIETARY TO MOLEX ELECTRONIC TECHNOLOGIES, LLC AND SHOULD NOT BE USED WITHOUT WRITTEN PERMISSION DIMENSION UNITS: mm SCALE: 3:1	CURRENT REV DESC: EC NO: 171650 DRWN: PMANJUNATHAC 2018/01/03 CHK'D: MVANSLAMBROU 2018/02/16 APPR: MVANSLAMBROU 2018/02/16	 MX150 BLADE DUAL ROW SEALED ASSEMBLY MAT SEAL		
	GENERAL TOLERANCES (UNLESS SPECIFIED) ANGULAR TOL ± 1.0° 4 PLACES ± 3 PLACES ± 2 PLACES ± 0.1 1 PLACE ± 0.2 0 PLACES ±	INITIAL REVISION: DRWN: APROFFITT 2014/04/28 APPR: VKOSHY 2014/05/14			
DRAFT WHERE APPLICABLE MUST REMAIN WITHIN DIMENSIONS	THIRD ANGLE PROJECTION 	DRAWING: A1-SIZE SERIES: 33482	MATERIAL NUMBER CUSTOMER: GENERAL MARKET	SHEET NUMBER 4 OF 11	

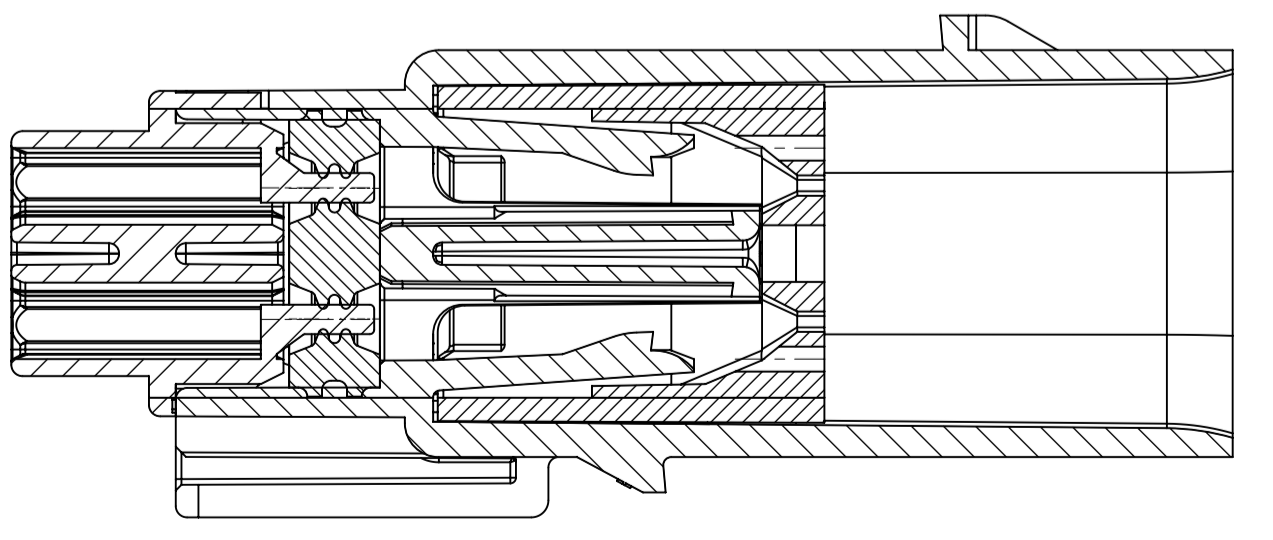
SHEET DESCRIPTION
BLADE SEALED ASSEMBLY

DESCRIPTION	DIMENSIONS				
	A	B	C	D	E
2X2	15.54	1.75	24.40	54.45	22.23
2X3 STANDARD	19.04	3.50	26.21	54.45	22.23
2X3 LENGTHENED	19.04	3.50	26.21	56.45	22.23
2X4	22.54	1.75	27.21	54.45	22.23
2X6	29.54	1.75	32.27	54.45	22.23
2X8	36.54	1.75	38.88	54.45	22.23
2X10	43.64	1.75	45.65	54.45	22.05



PRIMARY LOCK REINFORCEMENT (PLR) SHOWN IN PRE-STAGED POSITION

SECTION W-W



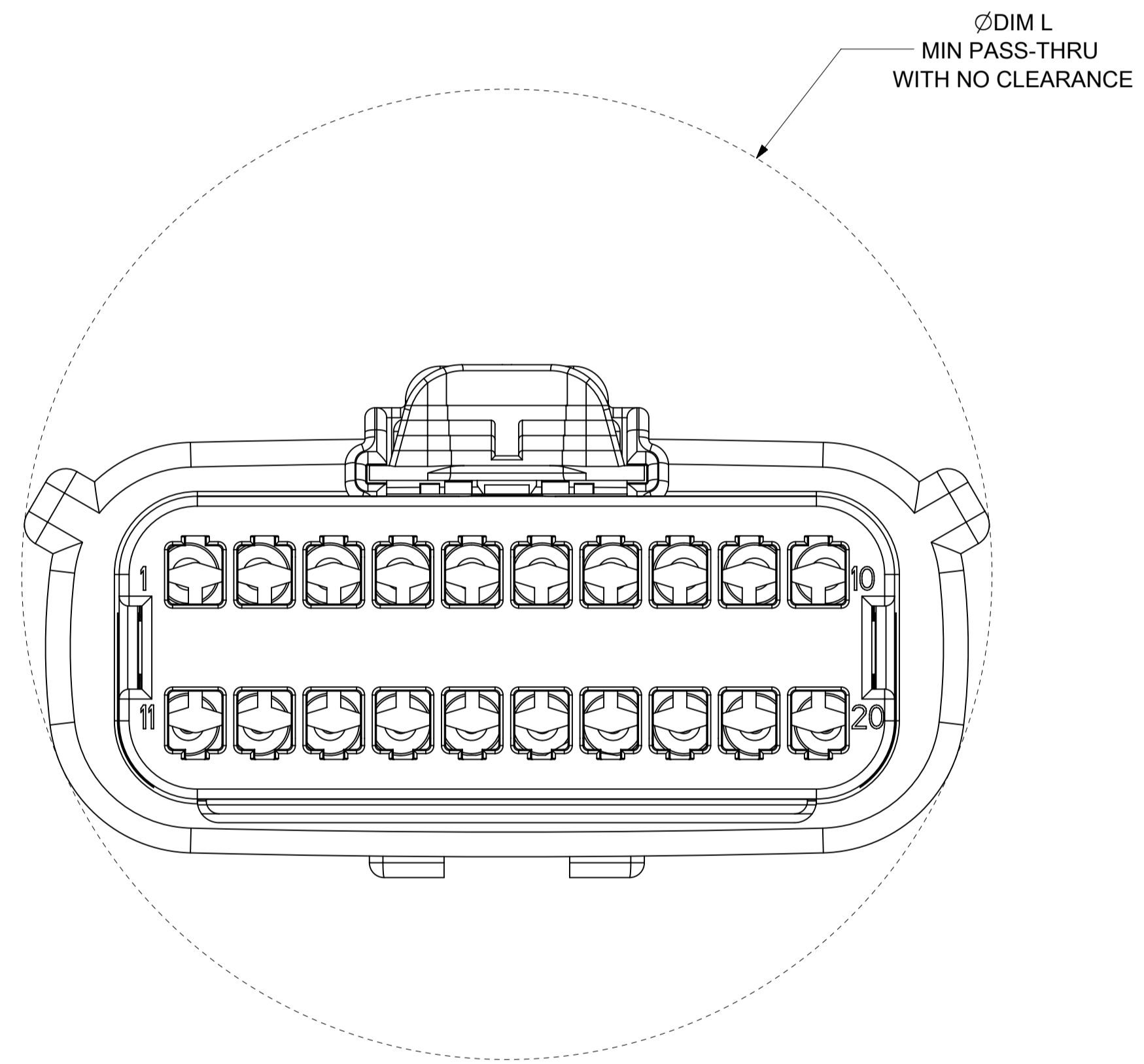
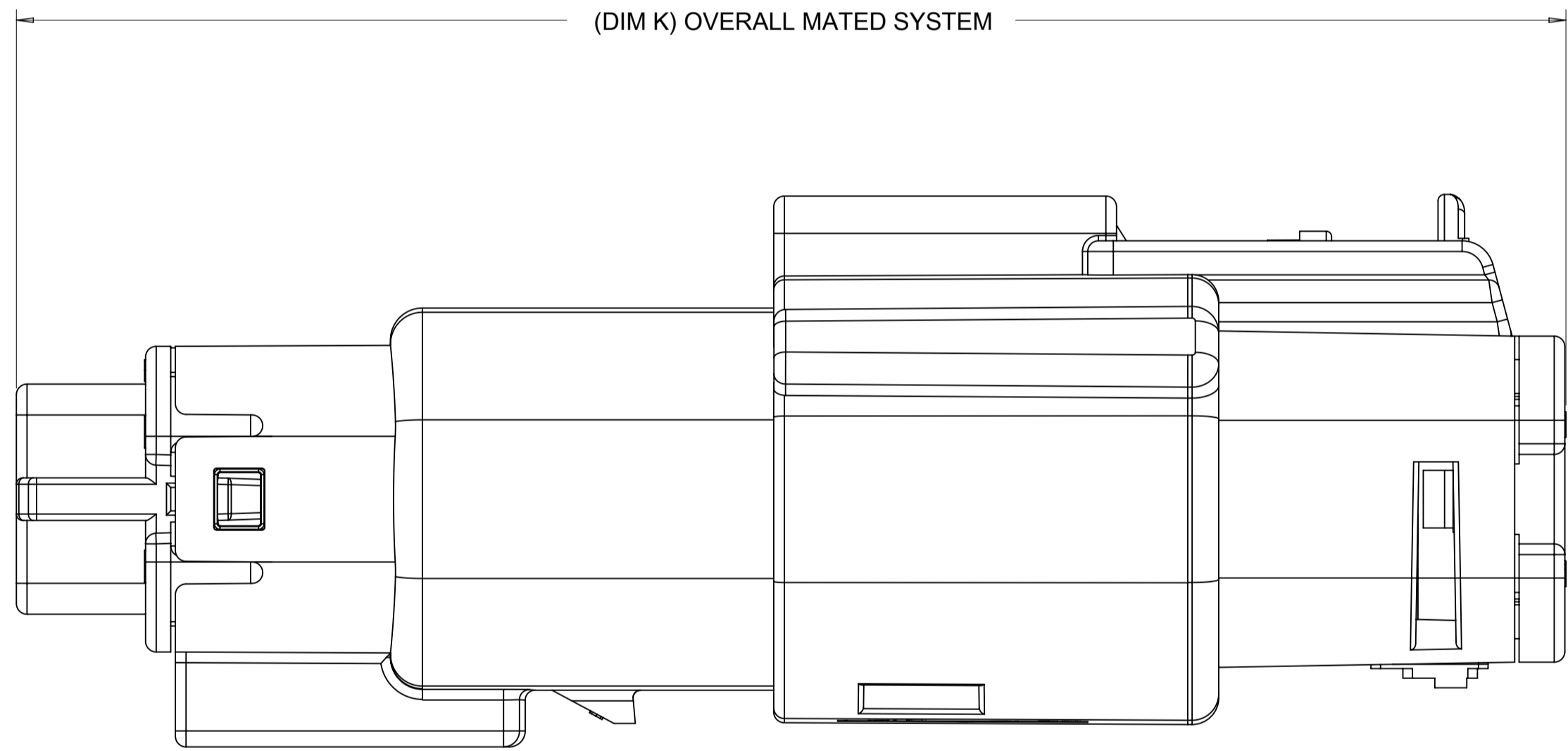
PRIMARY LOCK REINFORCEMENT (PLR) SHOWN IN FINAL-LOCK POSITION

SECTION V-V

SYMBOLS THIS DRAWING CONTAINS INFORMATION THAT IS PROPRIETARY TO MOLEX ELECTRONIC TECHNOLOGIES, LLC AND SHOULD NOT BE USED WITHOUT WRITTEN PERMISSION DIMENSION UNITS: mm SCALE: 3:1 GENERAL TOLERANCES (UNLESS SPECIFIED): ANGULAR TOL: ± 1.0° 4 PLACES: ± 3 PLACES: ± 2 PLACES: ± 0.1 1 PLACE: ± 0.2 0 PLACES: ± DRAFT WHERE APPLICABLE MUST REMAIN WITHIN DIMENSIONS	CURRENT REV DESC:		 MX150 BLADE DUAL ROW SEALED ASSEMBLY MAT SEAL PRODUCT CUSTOMER DRAWING	
	EC NO: 171650 DRWN: PMANJUNATHAC 2018/01/03 CHK'D: MVANSLAMBROU 2018/02/16 APPR: MVANSLAMBROU 2018/02/16			DOCUMENT NUMBER: SD-33482-0001 DOC TYPE: PSD DOC PART: 001 REVISION: E2
	INITIAL REVISION: DRWN: APROFFITT 2014/04/28 APPR: VKOSHY 2014/05/14			MATERIAL NUMBER: 33482 CUSTOMER: GENERAL MARKET
	THIRD ANGLE PROJECTION DRAWING: A1-SIZE SERIES: 33482			SHEET NUMBER: 5 OF 11

SHEET DESCRIPTION
SYSTEM PACKAGING

CHARTED DIMENSION				
CKT	BLADE CONFIGURATION	RECEPTACLE CONFIGURATION	DIMENSIONS	
			K	L
2X2	STANDARD	W/O CLIPSLOT	72.78	28.00
		W/ CLIPSLOT	72.78	28.50
		LENGTHENED	77.21	28.00
2X3	STANDARD	W/O CLIPSLOT	72.78	28.00
		W/ CLIPSLOT		30.50
	LENGTHENED	W/O CLIPSLOT	74.79	28.00
		W/ CLIPSLOT		30.50
2X4	STANDARD	W/O CLIPSLOT	72.78	29.50
		W/ CLIPSLOT		31.50
2X6	STANDARD	W/O CLIPSLOT	72.79	35.58
		W/ CLIPSLOT		
2X8	STANDARD	W/O CLIPSLOT	72.67	42.25
		W/ CLIPSLOT		
2X10	STANDARD	STANDARD	72.78	49.05



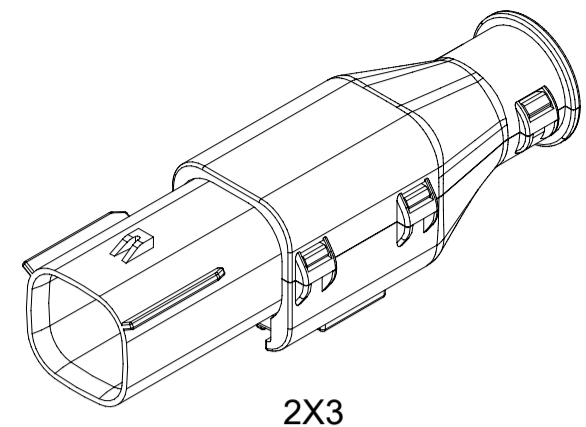
SYMBOLS ▽ = 0 ▽ = 0 ▽ = 0 ▽ = 0 ▽ = 0 ▽ = 0 ▽ = 0 ▽ = 0 ▽ = 0 ▽ = 0	THIS DRAWING CONTAINS INFORMATION THAT IS PROPRIETARY TO MOLEX ELECTRONIC TECHNOLOGIES, LLC AND SHOULD NOT BE USED WITHOUT WRITTEN PERMISSION	SCALE		CURRENT REV DESC:				
	DIMENSION UNITS	4:1						
	GENERAL TOLERANCES (UNLESS SPECIFIED)	mm		DRWN: PMANJUNATHAC 2018/01/03		MX150 BLADE DUAL ROW SEALED ASSEMBLY MAT SEAL		
	ANGULAR TOL ± 1.0°			CHK'D: MVANSLAMBROU 2018/02/16				
	4 PLACES ±			APPR: MVANSLAMBROU 2018/02/16		PRODUCT CUSTOMER DRAWING		
	3 PLACES ±			INITIAL REVISION:				
	2 PLACES ± 0.1			DRWN: APROFFITT 2014/04/28		DOCUMENT NUMBER: SD-33482-0001		
	1 PLACE ± 0.2			APPR: VKOSHY 2014/05/14				
	0 PLACES ±			DRAFT WHERE APPLICABLE MUST REMAIN WITHIN DIMENSIONS		DOC TYPE: PSD DOC PART: 001 REVISION: E2		
	THIRD ANGLE PROJECTION			DRAWING: A1-SIZE				

SHEET DESCRIPTION
BACKSHELL NOTES

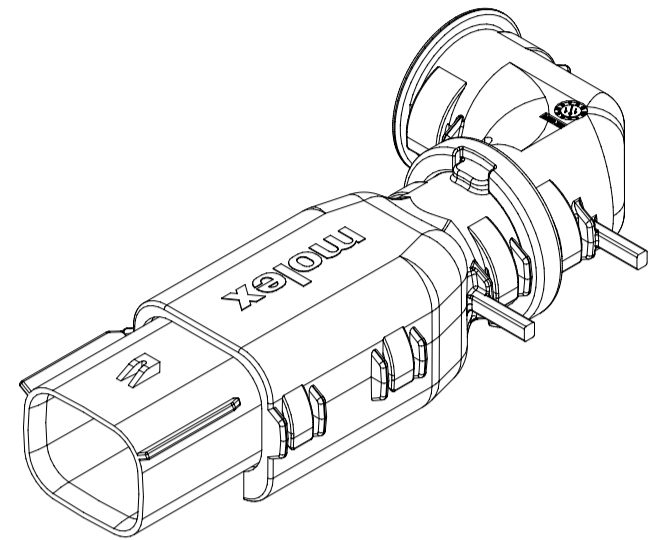
BACKSHELL NOTES: VALID UNLESS OTHERWISE SPECIFIED

1. GENERAL:

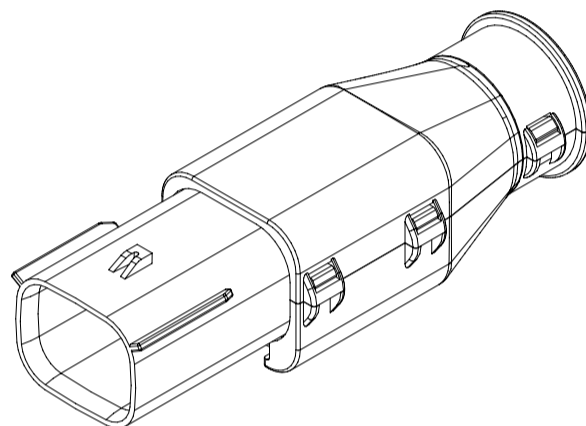
- a. APPLICATION SPECIFICATION SEE: AS-34951-001
- DESIGNED TO MATE WITH BLADE SEALED ASSEMBLY SPECIFIED IN MOLEX DRAWING SD-33482-0001.
- SYSTEM TO BE USED WITH WIRE WITHIN DIAMETER RANGE OF 1.2mm TO 2.69mm.
- COMPONENTS ARE OPTIONAL AND MUST BE PURCHASED SEPERATELY.
- DESIGN IS OWNED BY SCHLEMMER FOR SCHLEMMER BACKSHELL.
- DESIGN IS OWNED BY MOLEX FOR MOLEX BACKSHELL.
- 90° ADAPTOR DESIGN IS OWNED BY MOLEX.
- FOR ADDITIONAL INFORMATION SEE THE BACKSHELL COMPONENT DRAWING SD-34950-0001.



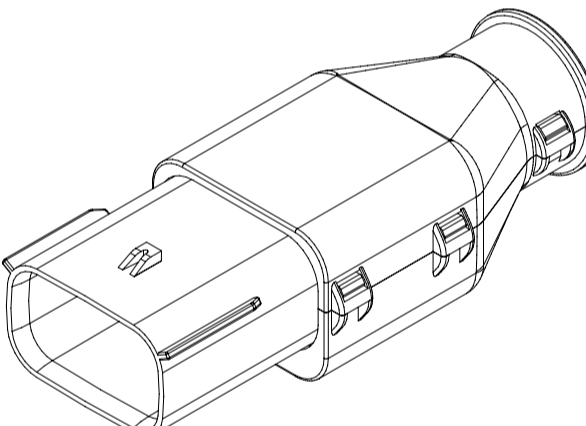
2X3



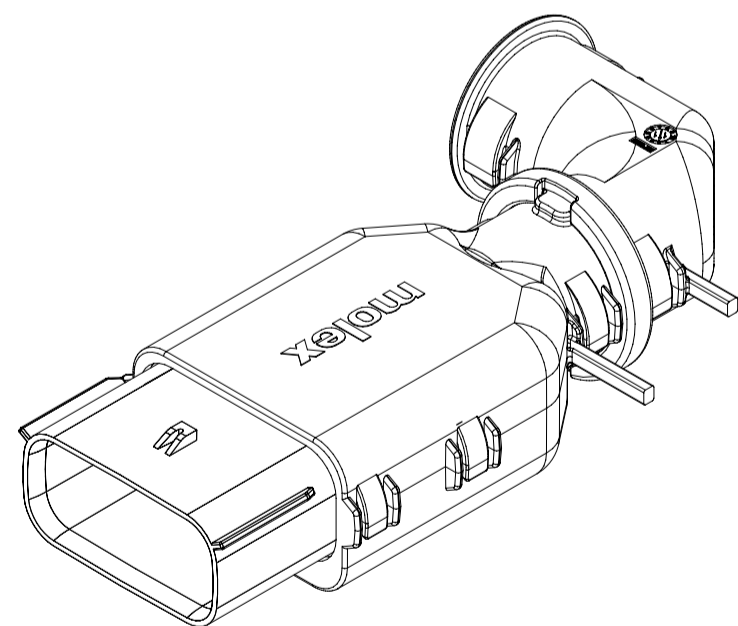
2X4



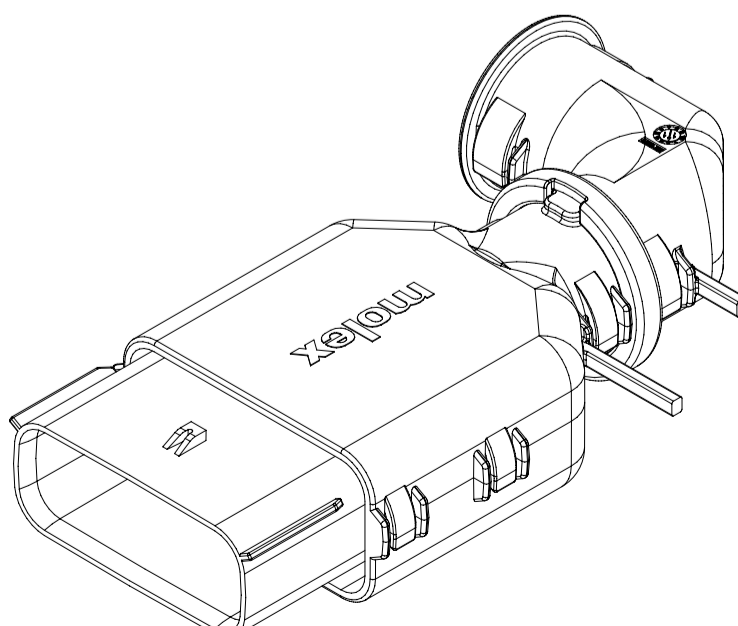
2X4



2X6



2X8



2X10

BACKSHELL CUSTOMER MODEL NUMBER LEGEND

34950-XXXX

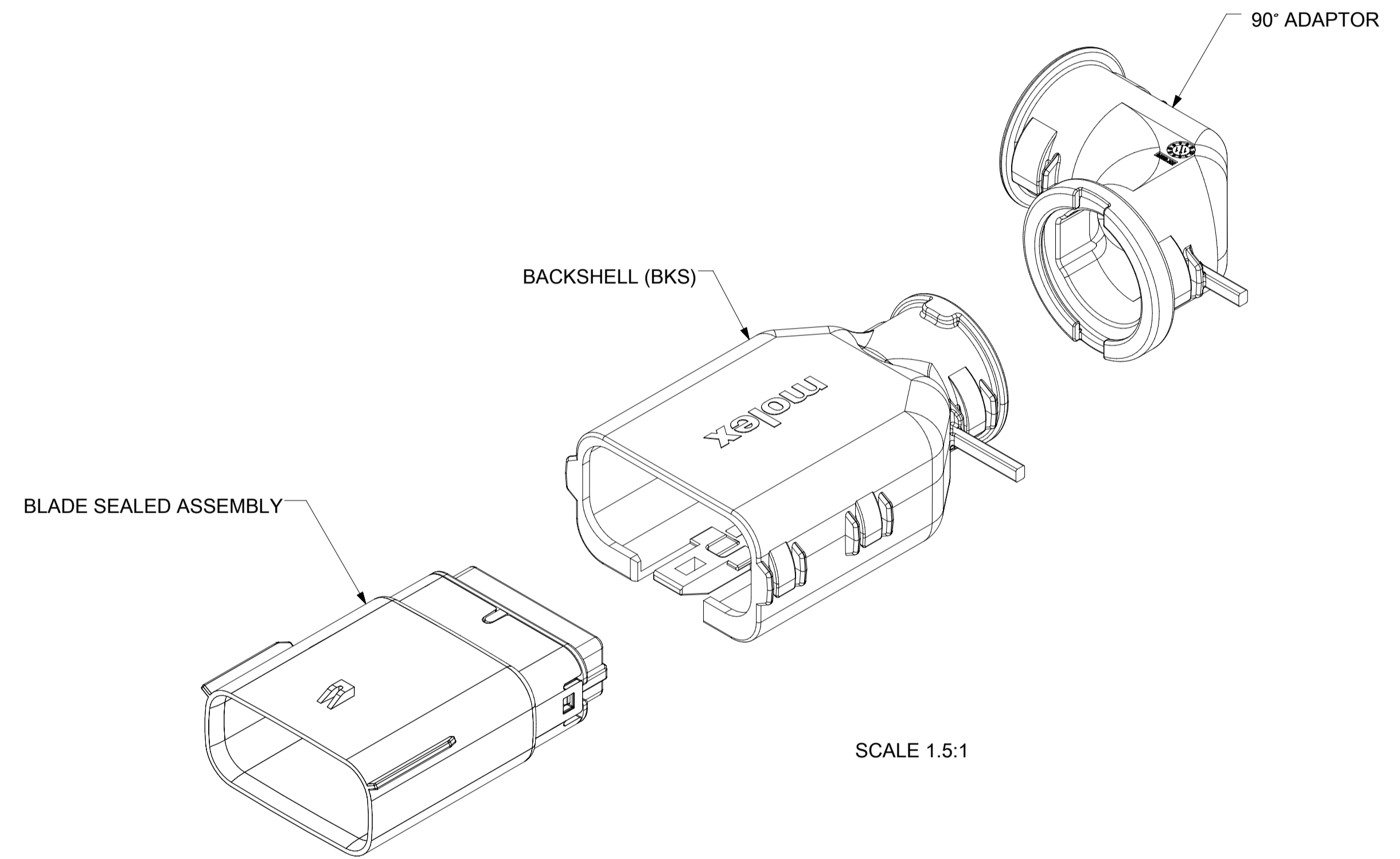
CUSTOMER MODEL COMPONENTS

- 0 - SCHLEMMER BACKSHELL ONLY
- 1 - SCHLEMMER BACKSHELL & MX150 HOUSING KEY A ASSEMBLY
- 2 - SCHLEMMER BACKSHELL & MX150 HOUSING KEY B ASSEMBLY
- 3 - SCHLEMMER BACKSHELL & MX150 HOUSING KEY C ASSEMBLY
- 4 - SCHLEMMER BACKSHELL & MX150 HOUSING KEY D ASSEMBLY
- 5 - MOLEX BACKSHELL ONLY
- 6 - MOLEX BACKSHELL & MX150 HOUSING KEY A ASSEMBLY
- 7 - MOLEX BACKSHELL & MX150 HOUSING KEY B ASSEMBLY
- 8 - MOLEX BACKSHELL & MX150 HOUSING KEY C ASSEMBLY
- 9 - MOLEX BACKSHELL & MX150 HOUSING KEY D ASSEMBLY

BACKSHELL FEATURES

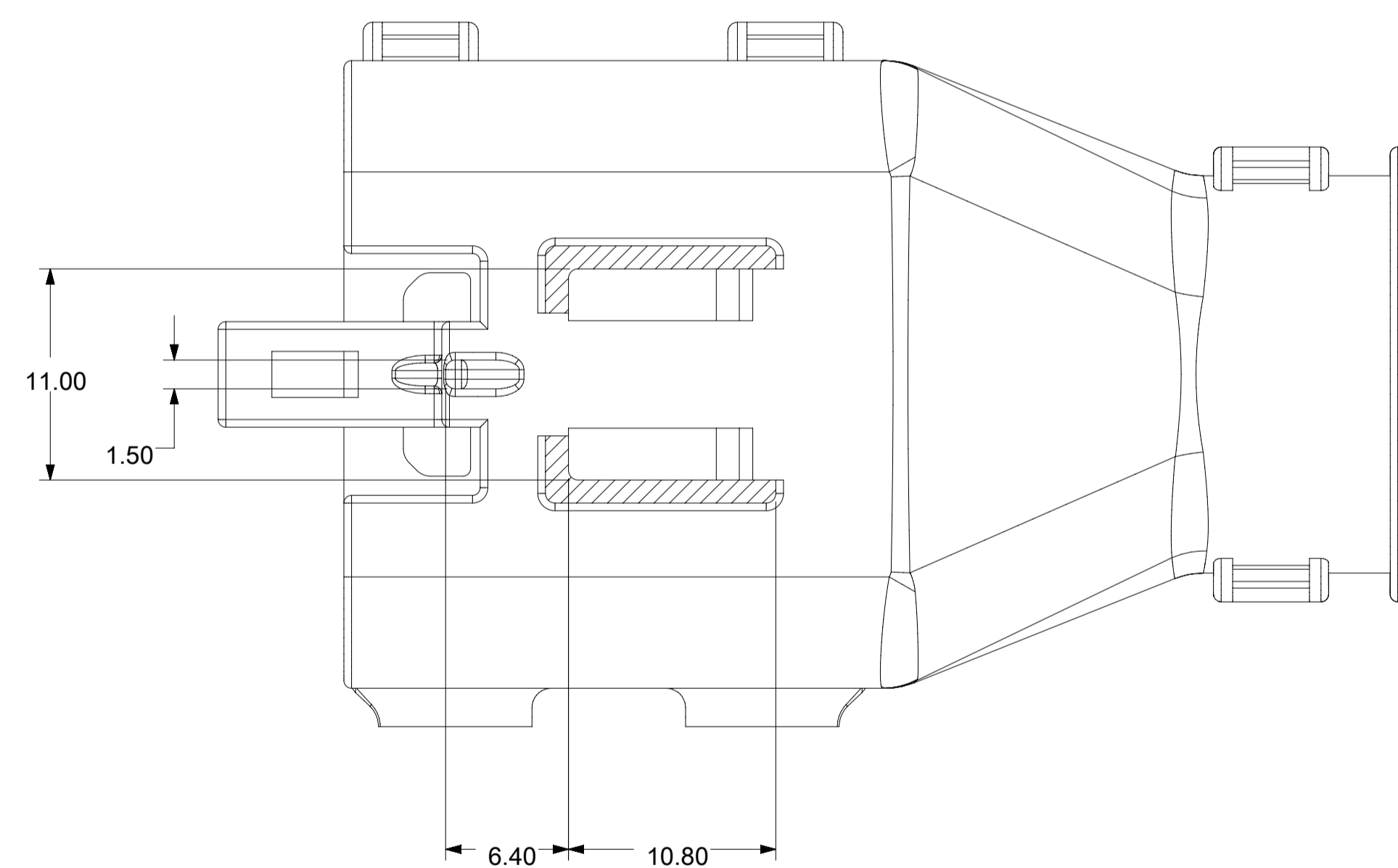
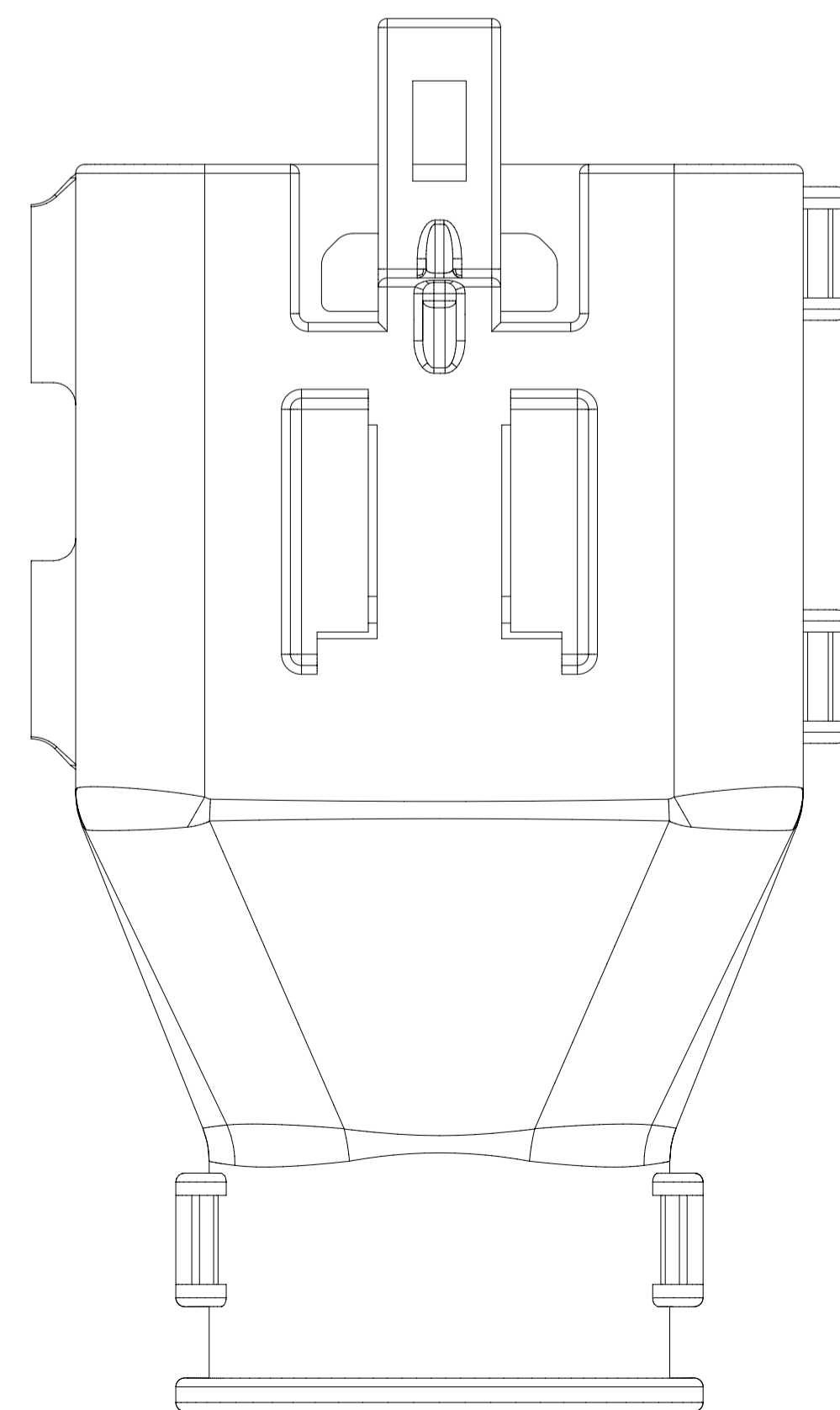
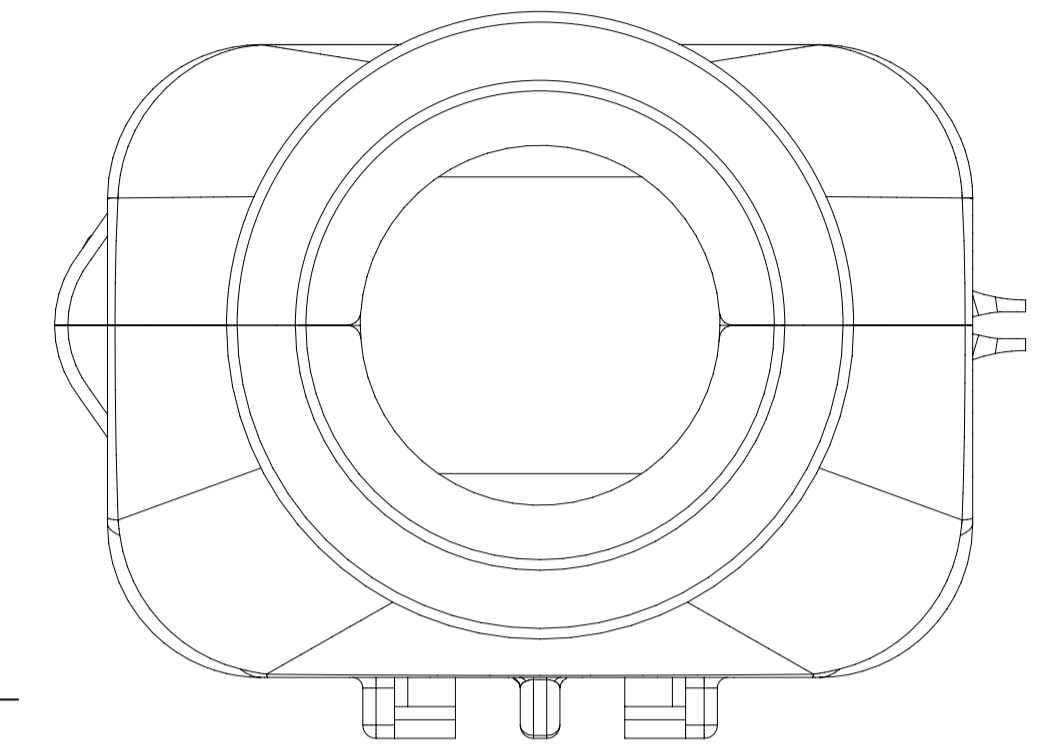
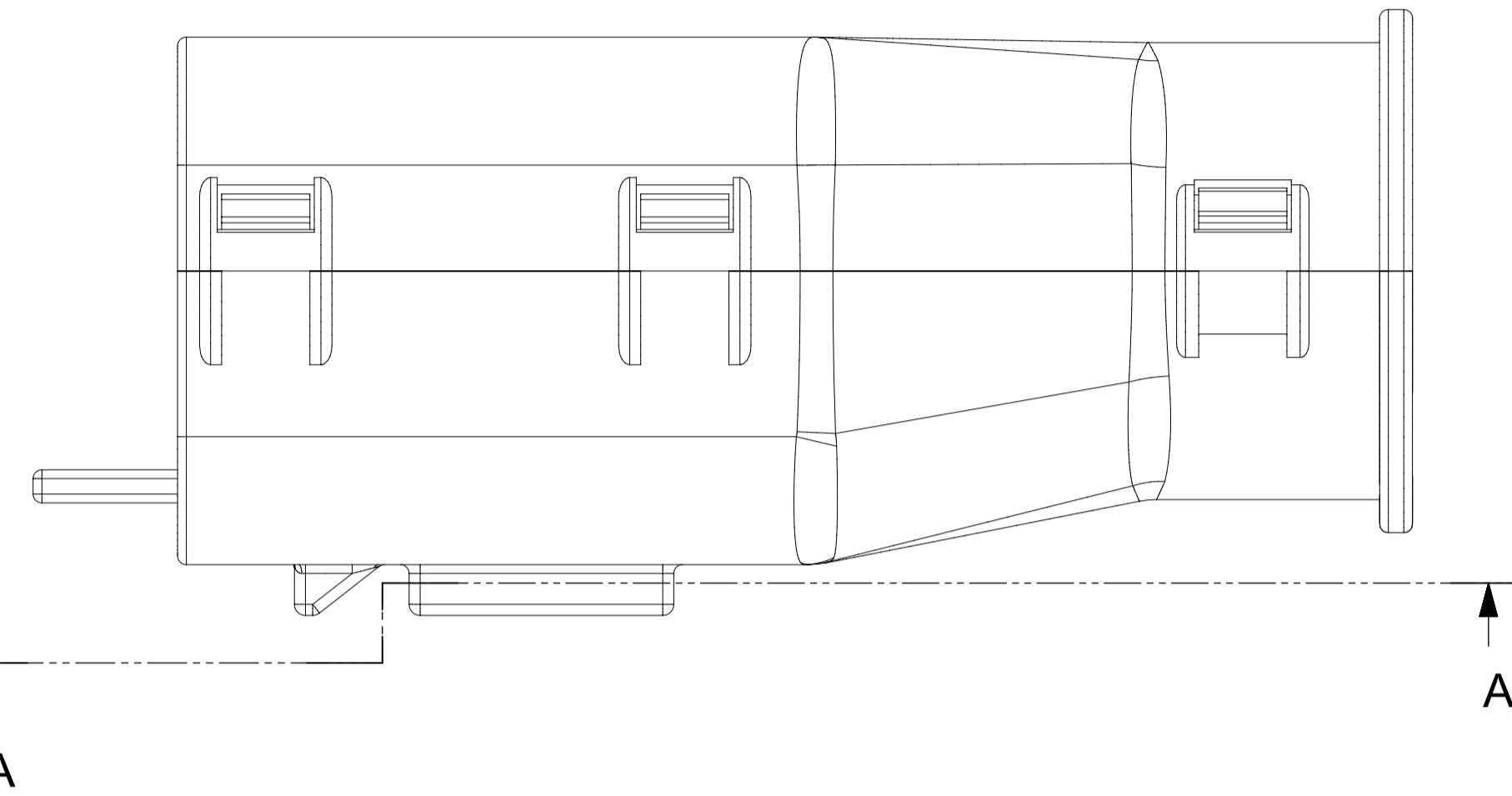
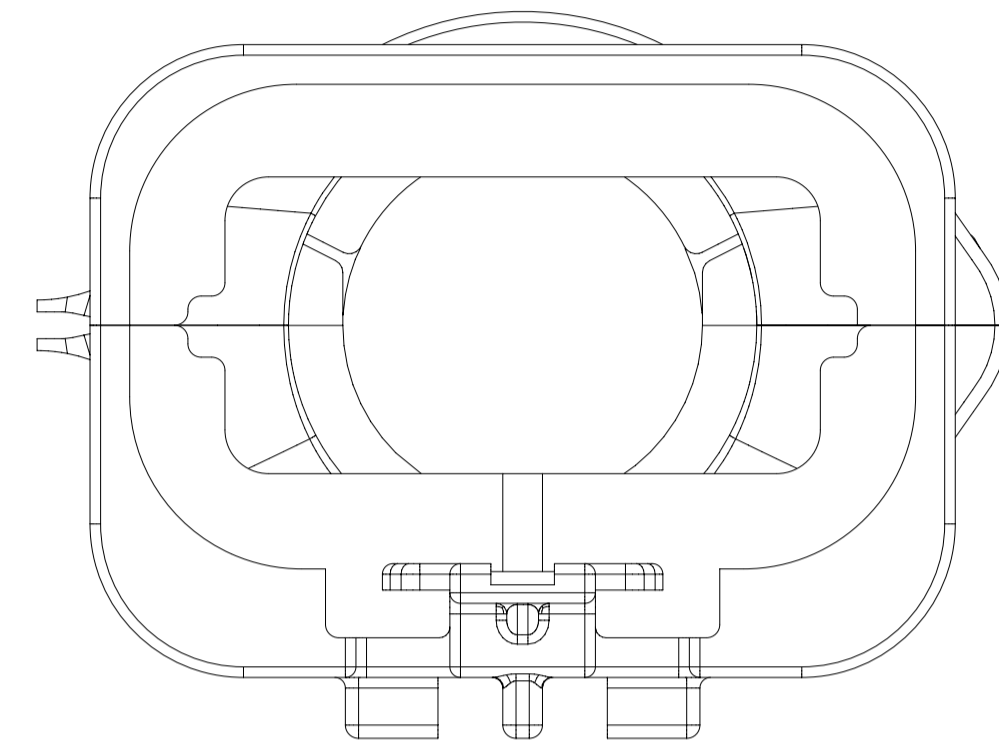
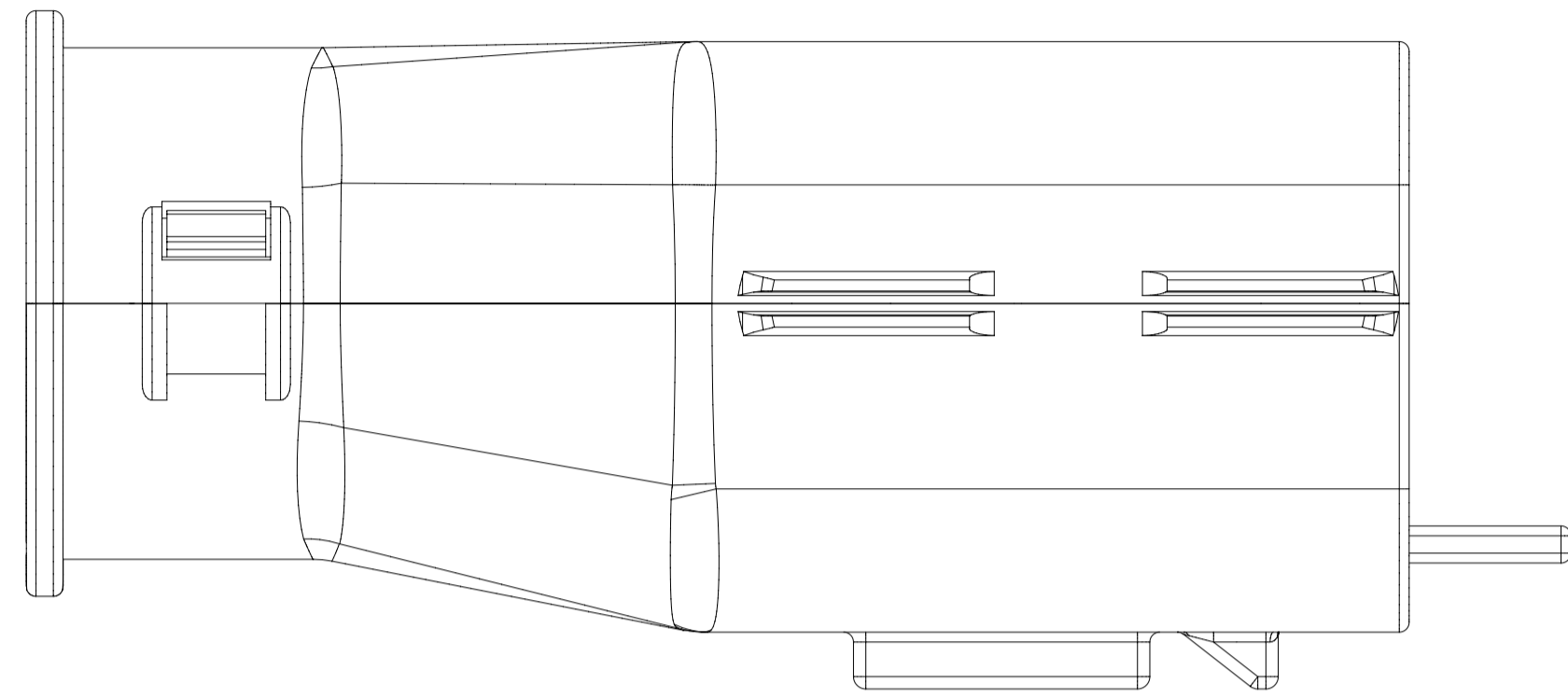
- 1 - WITH RIBS
- 2 - WITHOUT RIBS
- 3 - 90° ADAPTOR

MX150 CIRCUIT SIZE 04, 06, 08, 12, 16, 20



SYMBOLS	THIS DRAWING CONTAINS INFORMATION THAT IS PROPRIETARY TO MOLEX ELECTRONIC TECHNOLOGIES, LLC AND SHOULD NOT BE USED WITHOUT WRITTEN PERMISSION		CURRENT REV DESC:				
	DIMENSION UNITS	SCALE					
▽ = 0	mm	1.5:1	DRWN: APROFFITT 2014/04/28	MX150 BLADE DUAL ROW SEALED ASSEMBLY MAT SEAL			
▽ = 0	GENERAL TOLERANCES (UNLESS SPECIFIED)		CHK'D: MVANSLAMBROU 2018/02/16				
▽ = 0	ANGULAR TOL ± 1.0°		APPR: MVANSLAMBROU 2018/02/16	PRODUCT CUSTOMER DRAWING			
▽ = 0	4 PLACES	±	INITIAL REVISION:	DOCUMENT NUMBER			
▽ = 0	3 PLACES	±	DRWN: APROFFITT 2014/04/28	SD-33482-0001	PSD	001	E2
▽ = 0	2 PLACES	± 0.1	APPR: VKOSHY 2014/05/14	DOC TYPE DOC PART REVISION			
▽ = 0	1 PLACE	± 0.2	MATERIAL NUMBER		CUSTOMER		SHEET NUMBER
▽ = 0	0 PLACES	±	THIRD ANGLE PROJECTION	A1-SIZE	33482	GENERAL MARKET	
▽ = 0	DRAFT WHERE APPLICABLE MUST REMAIN WITHIN DIMENSIONS		DRAWING		SERIES		7 OF 11

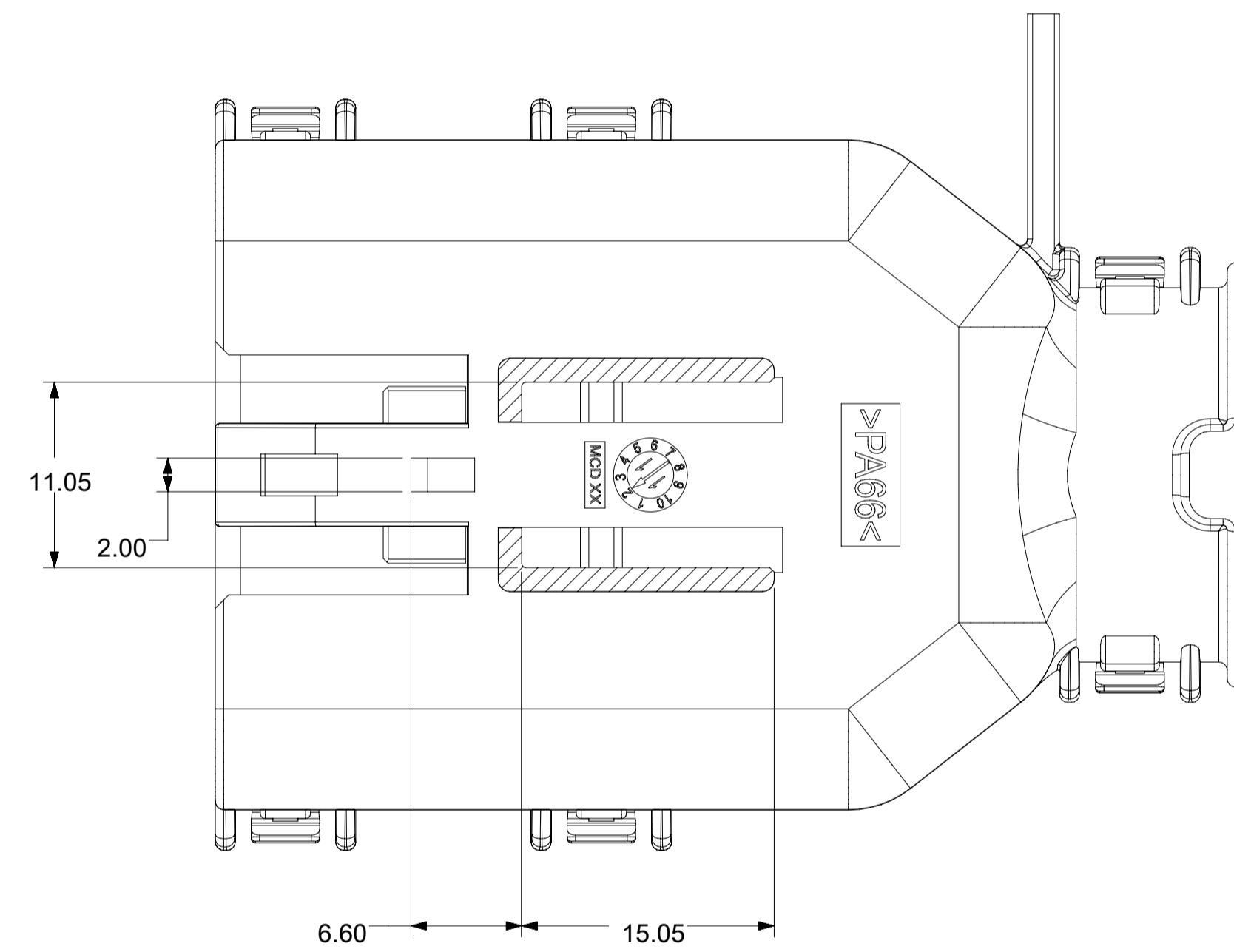
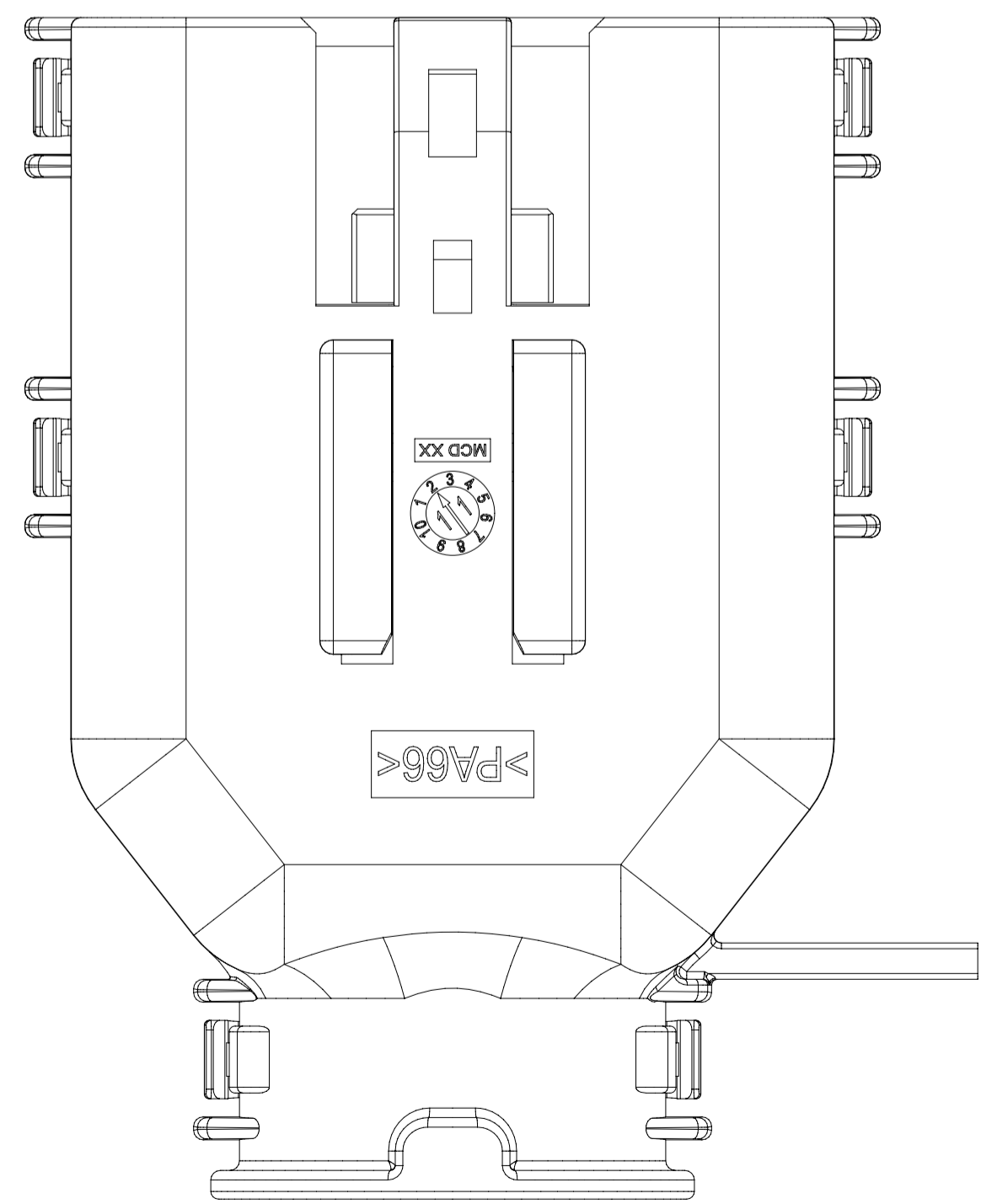
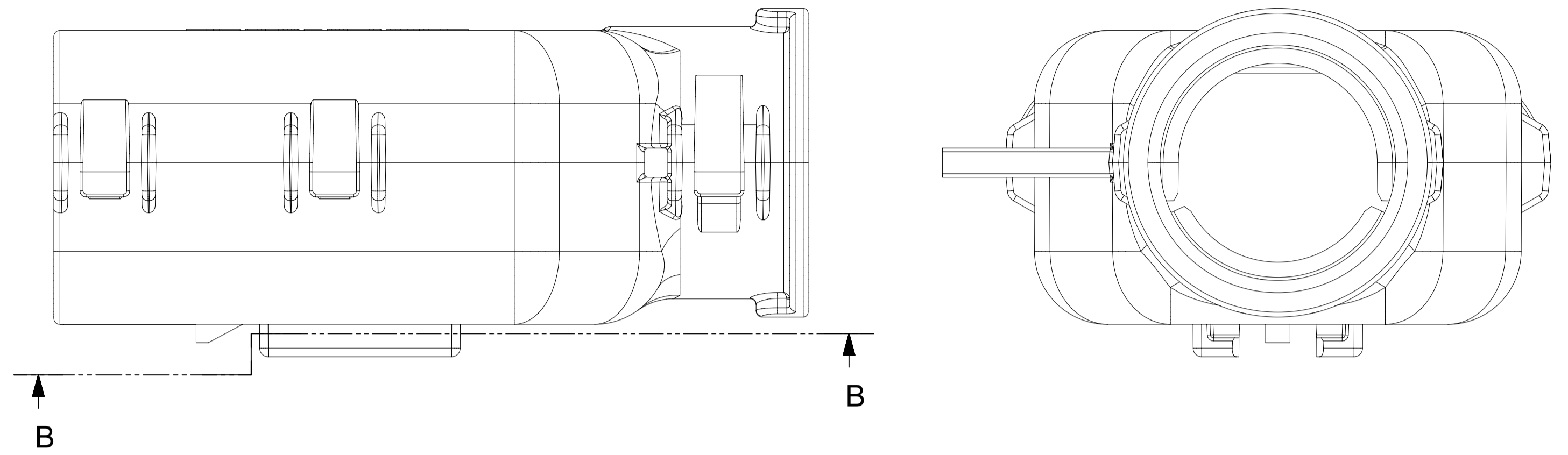
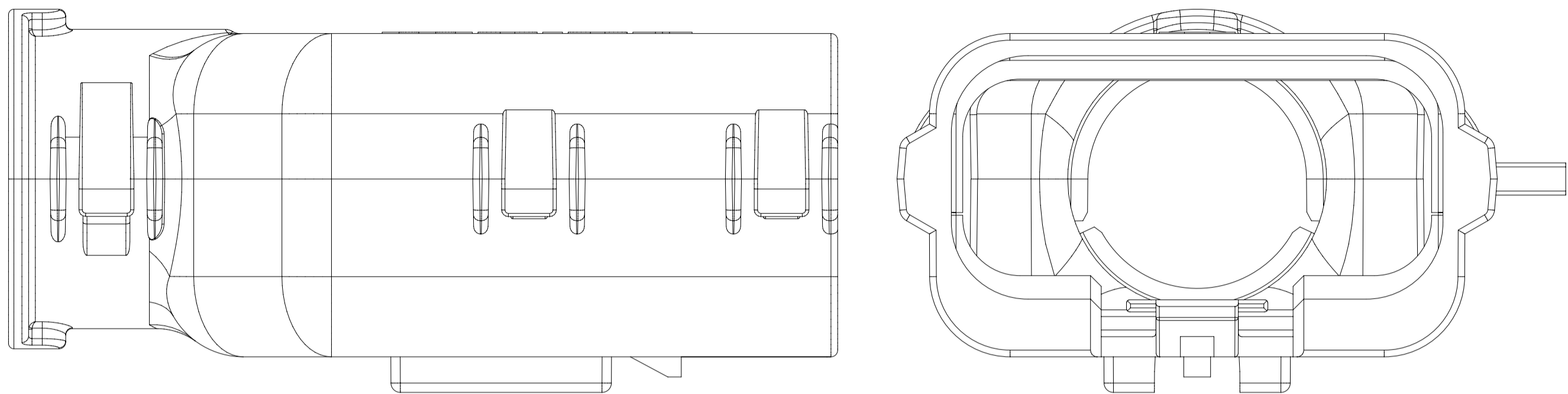
SHEET DESCRIPTION	
SCHLEMMER BACKSHELL	



SECTION A-A

SYMBOLS = 0 = 0 = 0 = 0 = 0 = 0 = 0 = 0 = 0 = 0 	THIS DRAWING CONTAINS INFORMATION THAT IS PROPRIETARY TO MOLEX ELECTRONIC TECHNOLOGIES, LLC AND SHOULD NOT BE USED WITHOUT WRITTEN PERMISSION DIMENSION UNITS SCALE mm 3.5:1	CURRENT REV DESC: EC NO: 171650 DRWN: PMANJUNATHAC 2018/01/03 CHK'D: MVANSLAMBROU 2018/02/16 APPR: MVANSLAMBROU 2018/02/16			
	GENERAL TOLERANCES (UNLESS SPECIFIED) ANGULAR TOL ± 1.0° 4 PLACES ± 3 PLACES ± 2 PLACES ± 0.1 1 PLACE ± 0.2 0 PLACES ±		INITIAL REVISION: DRWN: APROFFITT 2014/04/28 APPR: VKOSHY 2014/05/14	MX150 BLADE DUAL ROW SEALED ASSEMBLY MAT SEAL	
	DRAFT WHERE APPLICABLE MUST REMAIN WITHIN DIMENSIONS	THIRD ANGLE PROJECTION 		DRAWING SERIES A1-SIZE 33482	PRODUCT CUSTOMER DRAWING DOCUMENT NUMBER DOC TYPE DOC PART REVISION SD-33482-0001 PSD 001 E2

SHEET DESCRIPTION
MOLEX BACKSHELL

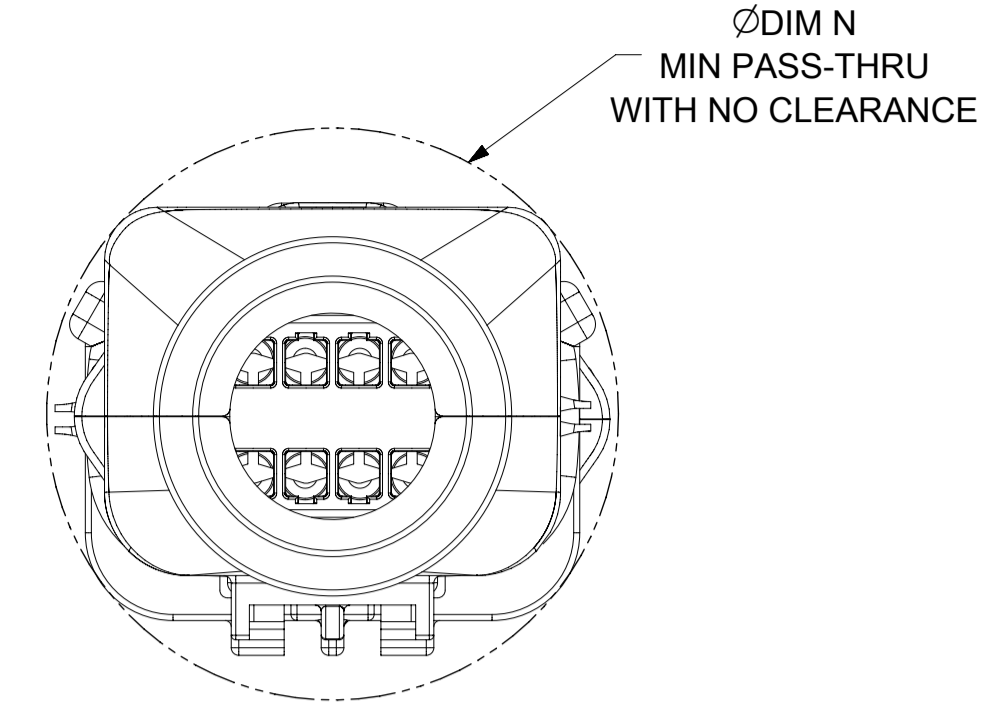
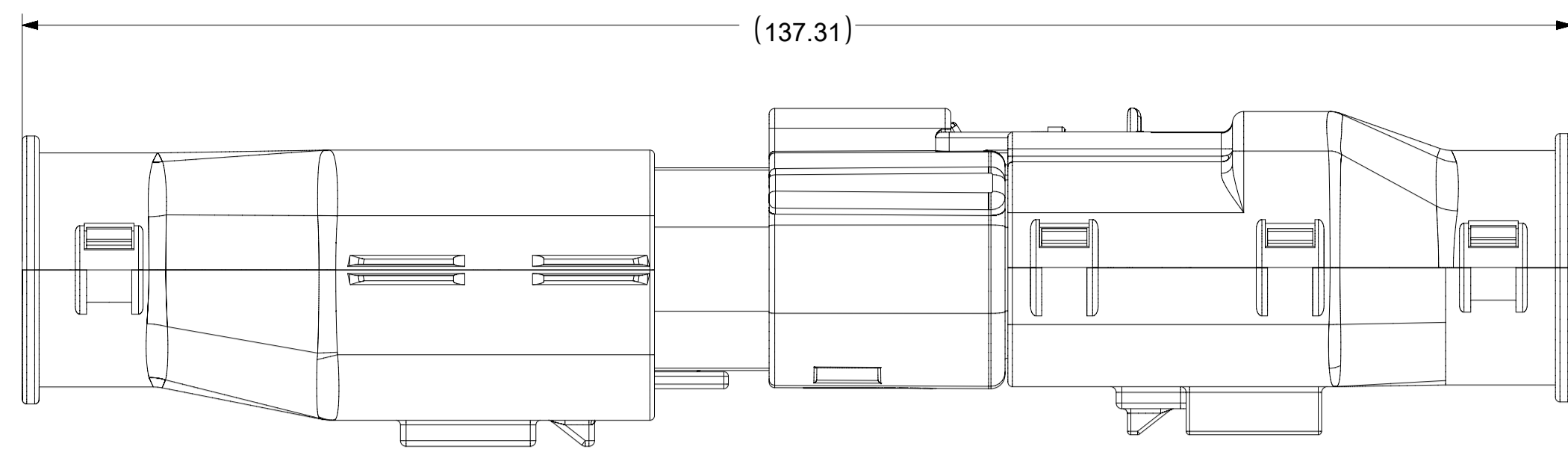


SECTION B-B

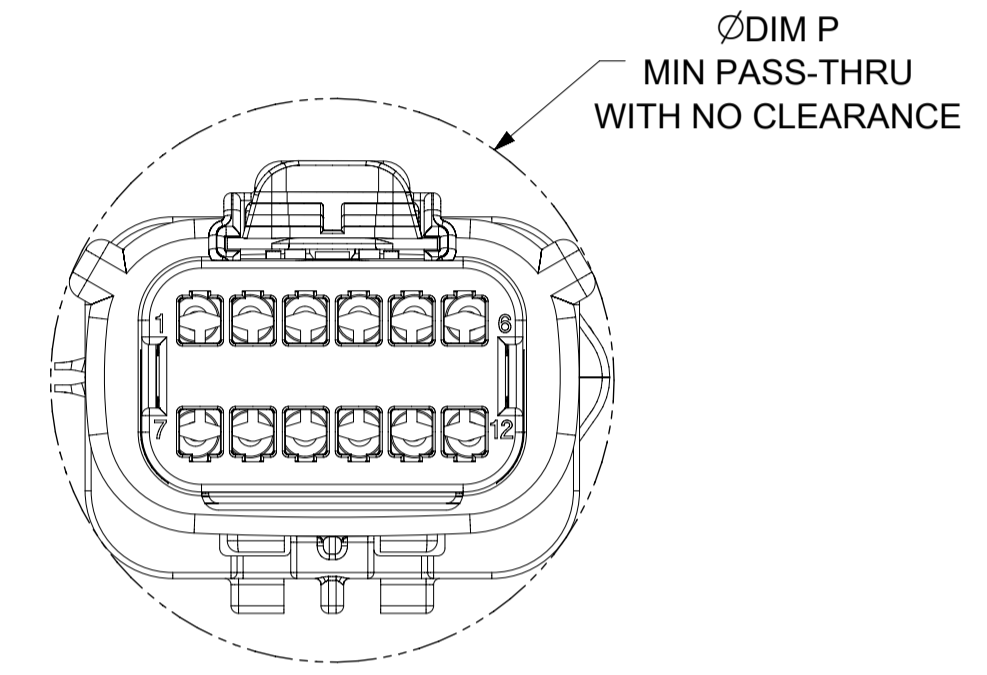
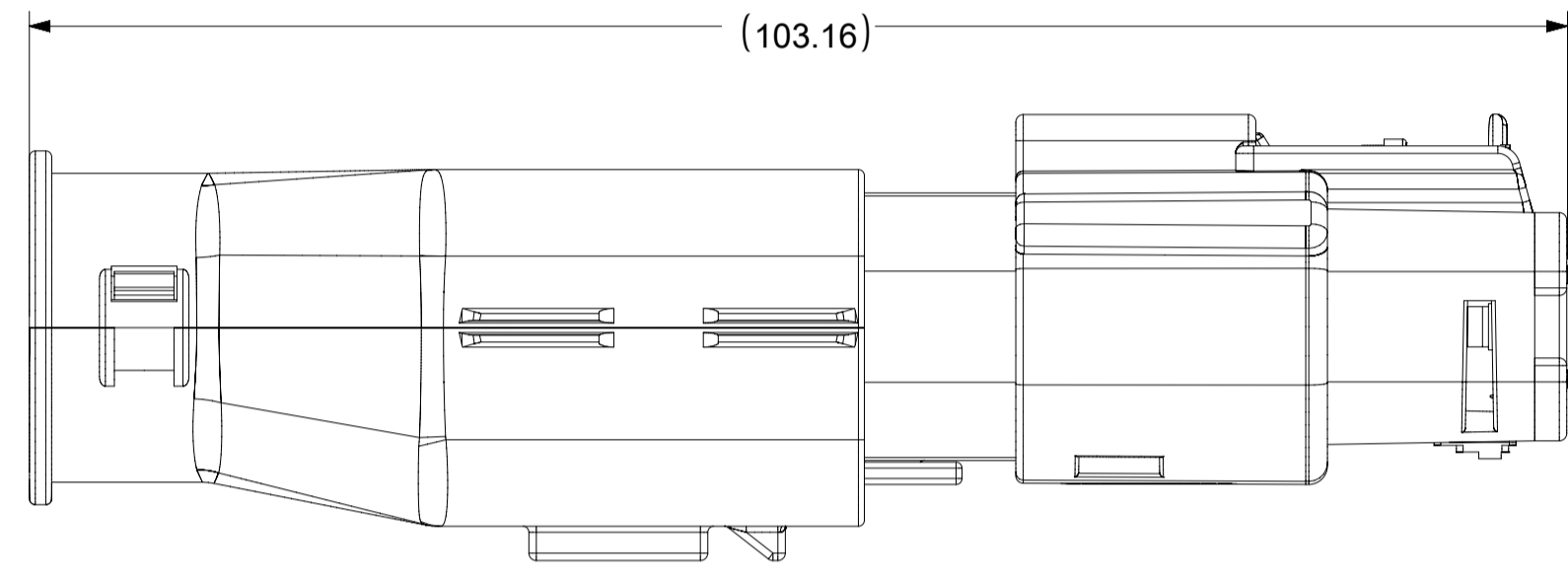
SYMBOLS	THIS DRAWING CONTAINS INFORMATION THAT IS PROPRIETARY TO MOLEX ELECTRONIC TECHNOLOGIES, LLC AND SHOULD NOT BE USED WITHOUT WRITTEN PERMISSION		CURRENT REV DESC:	
= 0	mm	3:1		
= 0	GENERAL TOLERANCES (UNLESS SPECIFIED)		EC NO: 171650	
= 0	ANGULAR TOL ± 1.0°		DRWN: PMANJUNATHAC 2018/01/03	
= 0	4 PLACES	±	CHK'D: MVANSLAMBROU 2018/02/16	
= 0	3 PLACES	±	APPR: MVANSLAMBROU 2018/02/16	
= 0	2 PLACES	± 0.1	INITIAL REVISION:	
= 0	1 PLACE	± 0.2	DRWN: APROFFITT 2014/04/28	
= 0	0 PLACES	±	APPR: VKOSHY 2014/05/14	
= 0	DRAFT WHERE APPLICABLE		THIRD ANGLE PROJECTION	DRAWING
= 0	MUST REMAIN WITHIN DIMENSIONS		A1-SIZE	SERIES
			MATERIAL NUMBER	CUSTOMER
			SD-33482-0001	GENERAL MARKET
		DOCUMENT NUMBER		DOC TYPE
		PSD		001
		DOC PART		001
		REVISION		E2
			SHEET NUMBER	
			9 OF 11	

SHEET DESCRIPTION
SCHLEMMER BACKSHELL CONFIGURATIONS

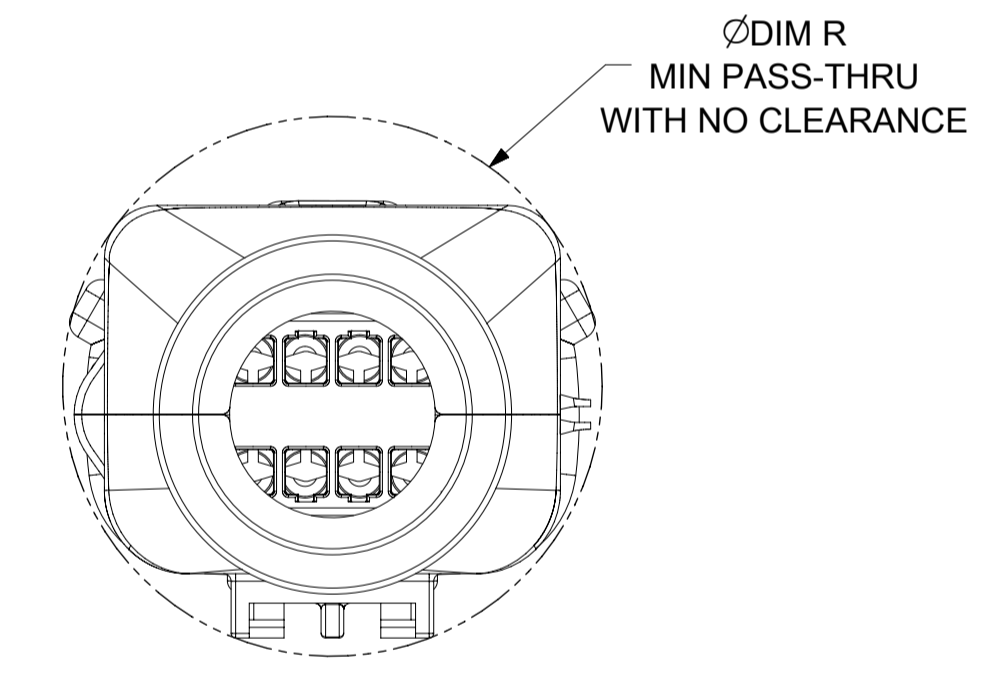
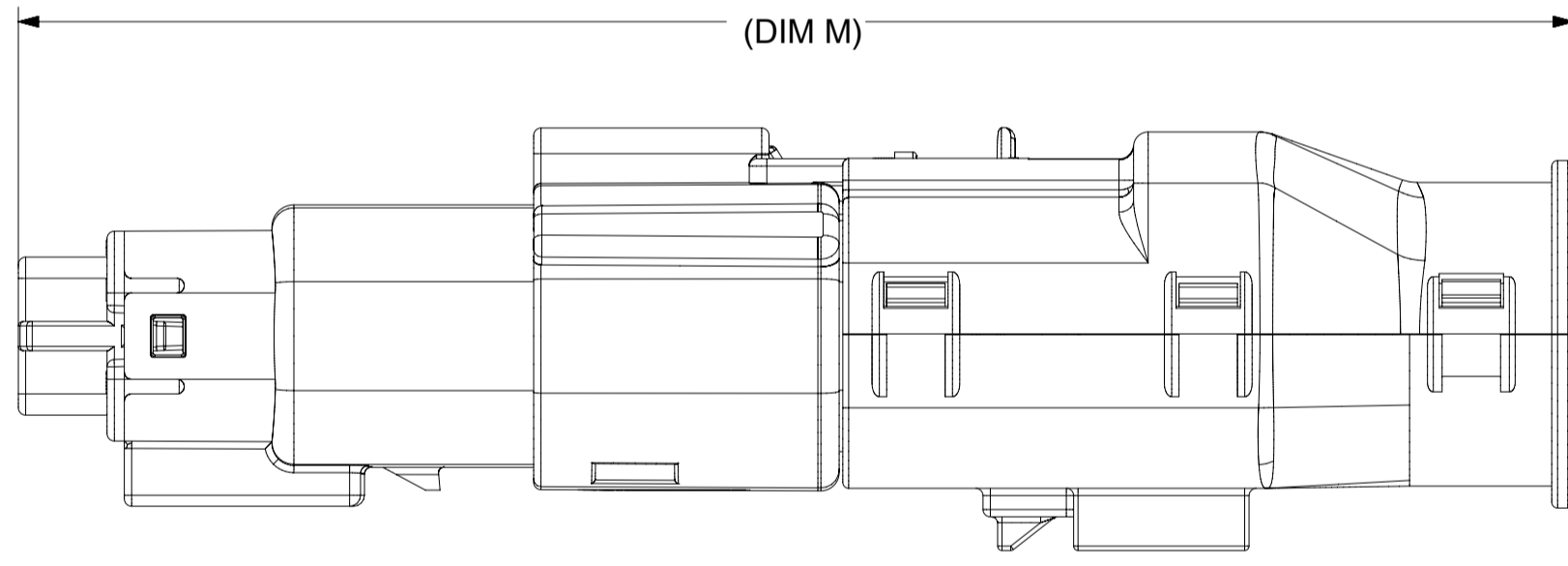
CKT	BLADE CONFIGURATION	RECEPTACLE CONFIGURATION	DIMENSIONS				
			M	N	P	R	T
2X3	STANDARD	STANDARD	106.83	32.75	31.75	29.00	29.50
	LENGTHENED		108.71				
2X4	STANDARD	STANDARD	106.83	33.50	31.90	30.70	30.70
2X6	STANDARD	STANDARD	106.83	37.84	37.27	35.83	36.83



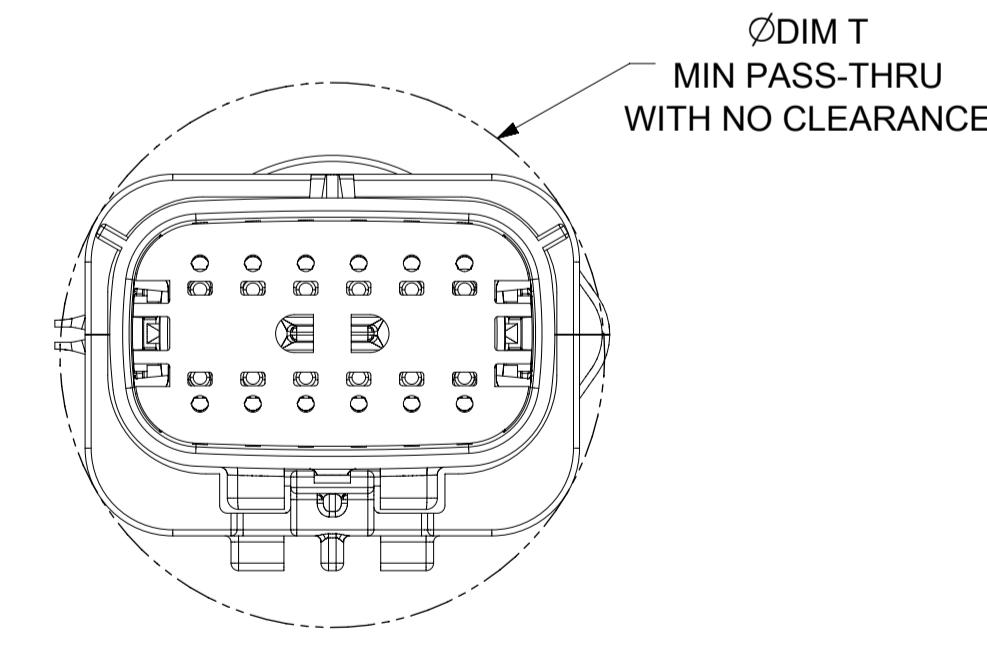
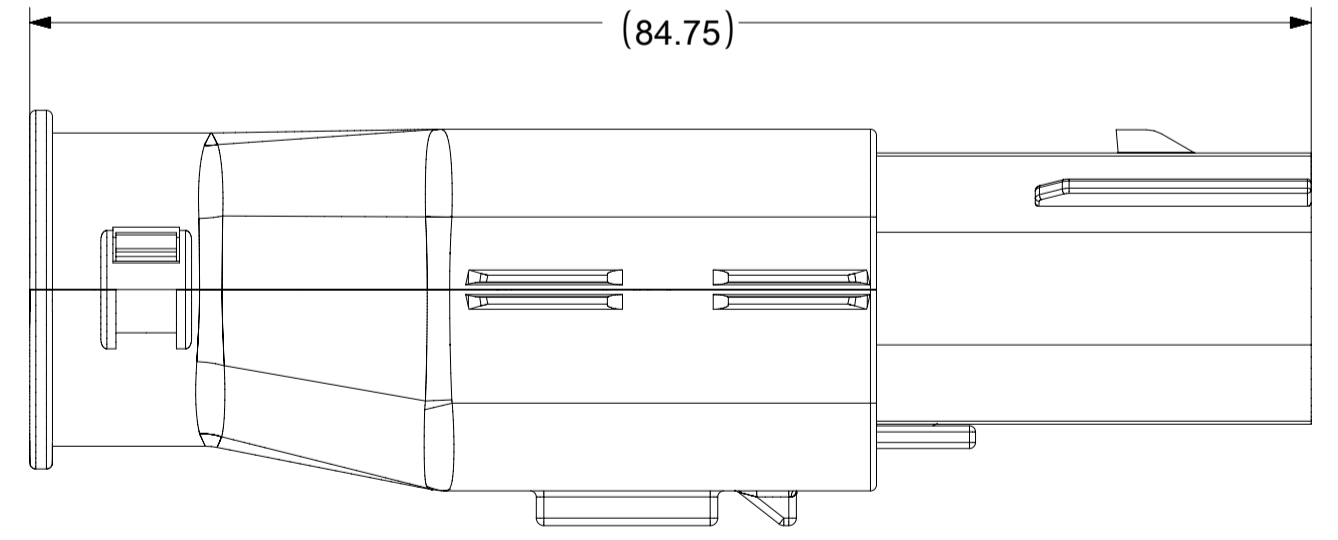
OVERALL MATED SYSTEM WITH BLADE AND RECEPTACLE BACKSHELL



OVERALL MATED SYSTEM WITH BLADE BACKSHELL



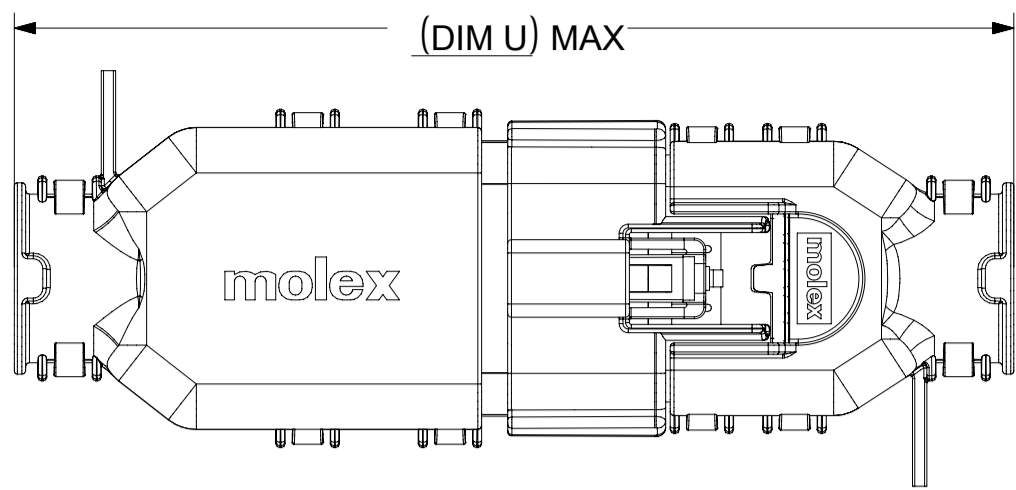
OVERALL MATED SYSTEM WITH RECEPTACLE BACKSHELL



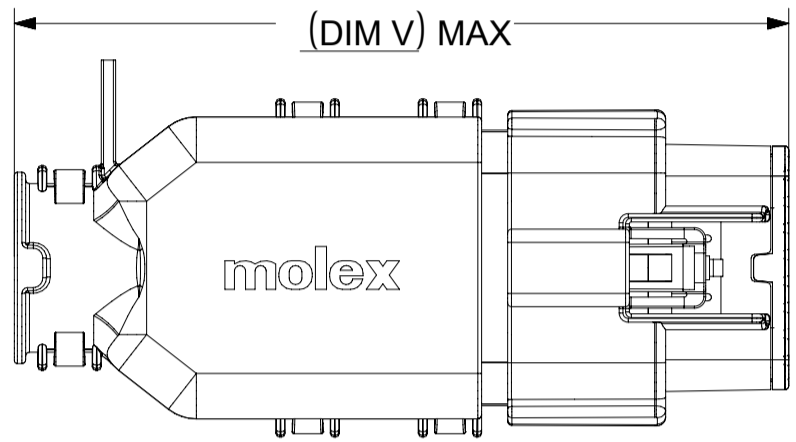
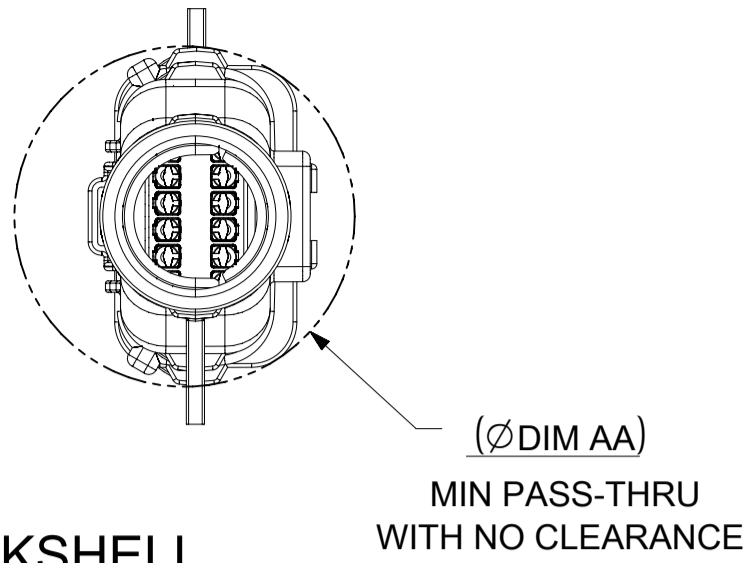
BLADE SEALED ASSEMBLY WITH BLADE BACKSHELL

SYMBOLS THIS DRAWING CONTAINS INFORMATION THAT IS PROPRIETARY TO MOLEX ELECTRONIC TECHNOLOGIES, LLC AND SHOULD NOT BE USED WITHOUT WRITTEN PERMISSION DIMENSION UNITS: mm SCALE: 2:1 GENERAL TOLERANCES (UNLESS SPECIFIED): ANGULAR TOL: ± 1.0° 4 PLACES: ± 3 PLACES: ± 2 PLACES: ± 0.1 1 PLACE: ± 0.2 0 PLACES: ± DRAFT WHERE APPLICABLE MUST REMAIN WITHIN DIMENSIONS	CURRENT REV DESC:		
	EC NO: 171650 DRWN: PMANJUNATHAC 2018/01/03 CHK'D: MVANSLAMBROU 2018/02/16 APPR: MVANSLAMBROU 2018/02/16		
	INITIAL REVISION:		DOCUMENT NUMBER
	DRWN: APROFFITT 2014/04/28 APPR: VKOSHY 2014/05/14		DOC TYPE
			DOC PART
		REVISION	
		MATERIAL NUMBER	
		CUSTOMER	
		SHEET NUMBER	
		THIRD ANGLE PROJECTION	
		DRAWING	
		SERIES	
		GENERAL MARKET	
		10 OF 11	

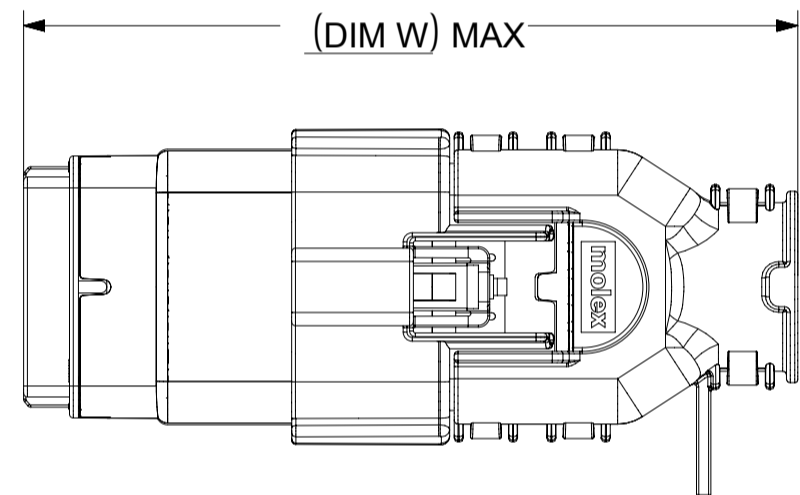
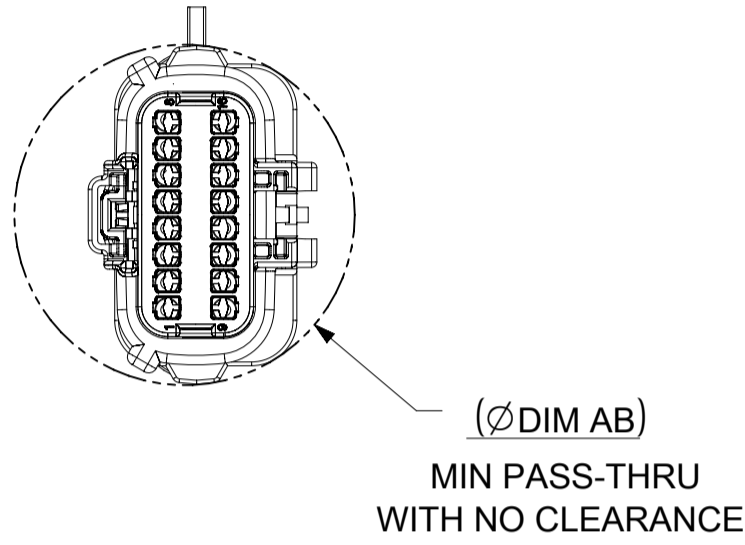
SHEET DESCRIPTION
MOLEX BACKSHELL CONFIGURATIONS



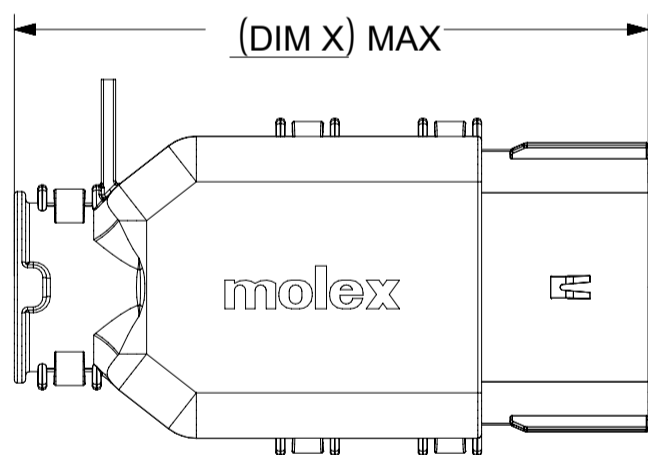
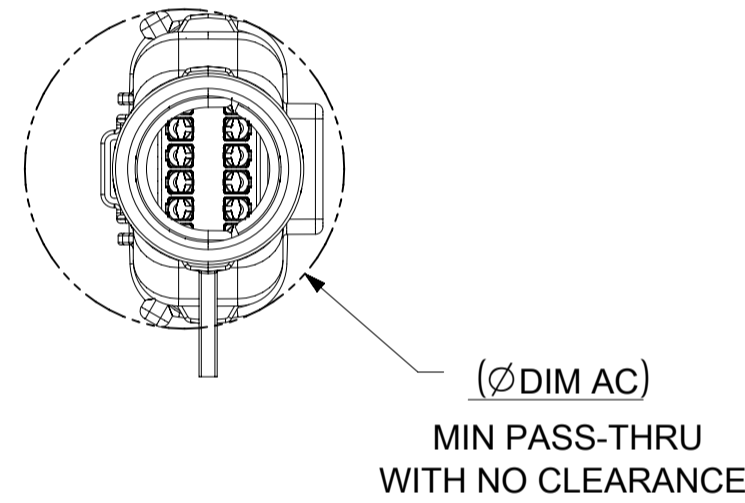
OVERALL MATED SYSTEM WITH BLADE AND RECEPTACLE BACKSHELL



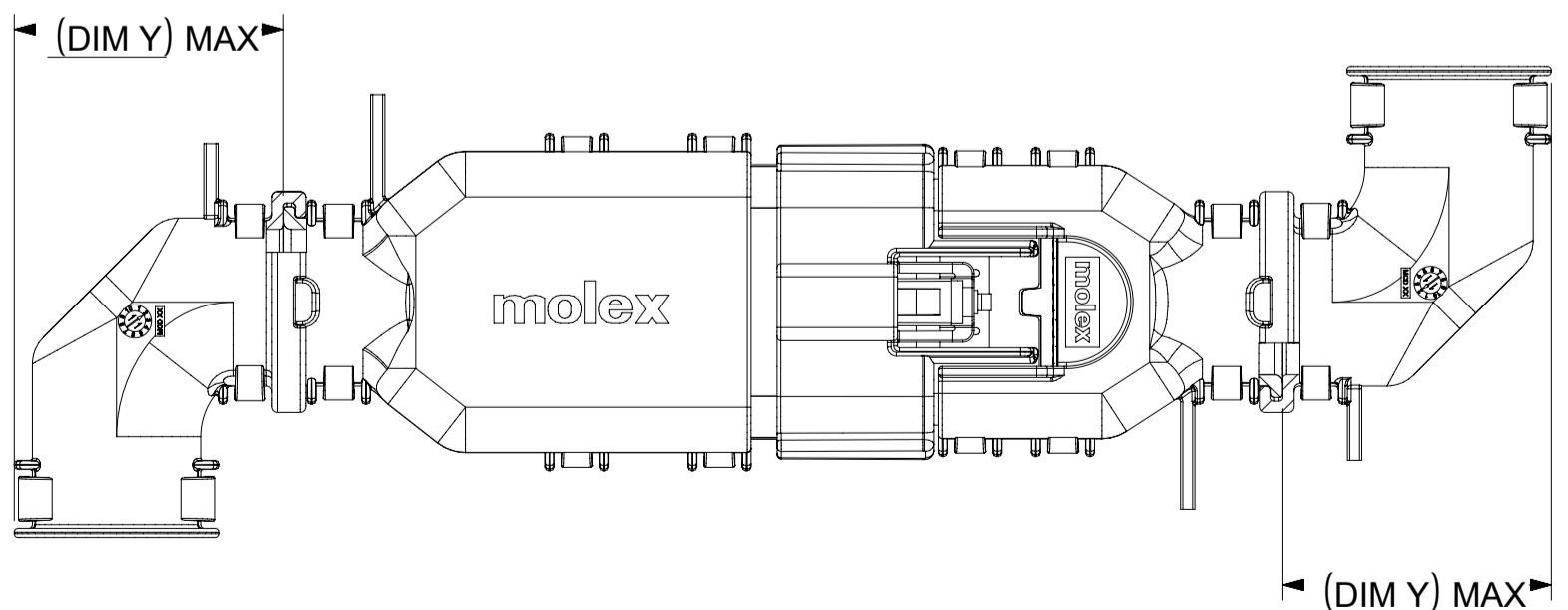
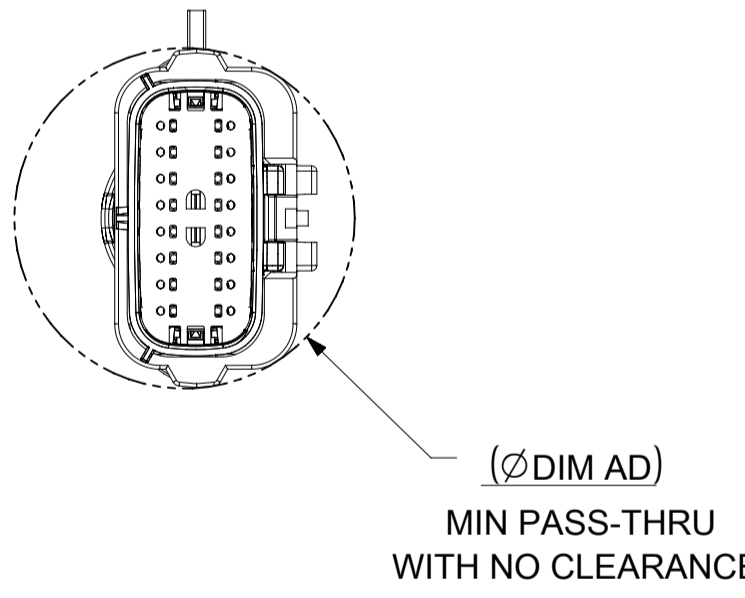
OVERALL MATED SYSTEM WITH BLADE BACKSHELL



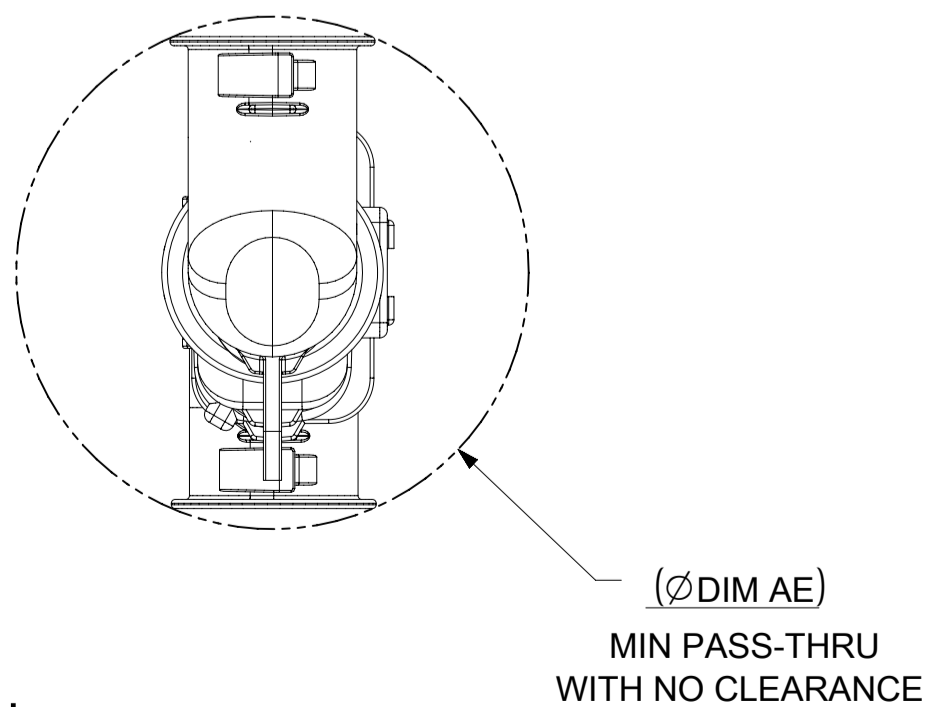
OVERALL MATED SYSTEM WITH RECEPTACLE BACKSHELL



BLADE SEALED ASSEMBLY WITH BLADE BACKSHELL



ADD THE VALUE OF 'Y' TO THE TOTAL DIMENSION
WHENEVER ADAPTOR IS USED

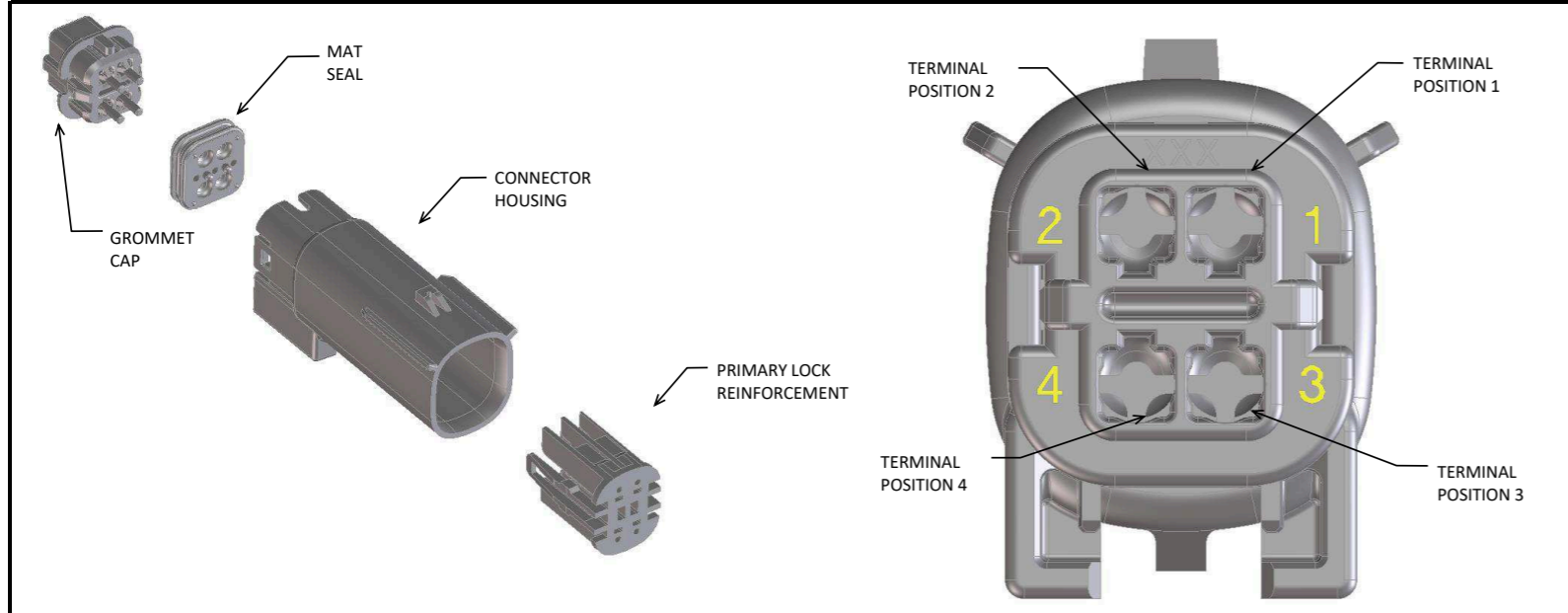


CHARTED DIMENSIONS

CKT	BLADE CONFIGURATION	RECEPTACLE CONFIGURATION	DIMENSIONS									
			U	V	W	X	Y	AA	AB	AC	AD	AE
2X4	STANDARD	STANDARD	115.24	94.36	93.93	75.62	32.10	32.93	32.54	32.85	31.76	56.81
2X8	STANDARD	STANDARD	132.49	102.81	102.73	84.07	36.10	45.44	45.44	42.65	45.44	68.18
2X10	STANDARD	STANDARD	132.49	102.81	102.73	84.07	36.10	45.44	45.44	42.65	45.44	68.18

SYMBOLS				THIS DRAWING CONTAINS INFORMATION THAT IS PROPRIETARY TO MOLEX ELECTRONIC TECHNOLOGIES, LLC AND SHOULD NOT BE USED WITHOUT WRITTEN PERMISSION				<div style="text-align: center; font-weight: bold; font-size: 1.2em;">molex</div> MX150 BLADE DUAL ROW SEALED ASSEMBLY MAT SEAL			
$\nabla = 0$	mm	SCALE	1:1	CURRENT REV DESC:							
$\nabla = 0$	GENERAL TOLERANCES (UNLESS SPECIFIED)			EC NO: 171650				DOCUMENT NUMBER			
$\nabla = 0$	ANGULAR TOL $\pm 1.0^\circ$			DRWN: PMANJUNATHAC 2018/01/03				DOC TYPE DOC PART REVISION			
$\nabla = 0$	4 PLACES \pm			CHK'D: MVANSLAMBROU 2018/02/16				SD-33482-0001			
$\nabla = 0$	3 PLACES \pm			APPR: MVANSLAMBROU 2018/02/16				PSD 001 E2			
$\nabla = 0$	2 PLACES ± 0.1			INITIAL REVISION:				MATERIAL NUMBER			
$\nabla = 0$	1 PLACE ± 0.2			DRWN: APROFFITT 2014/04/28							
$\nabla = 0$	0 PLACES \pm			APPR: VKOSHY 2014/05/14				GENERAL MARKET			
$\boxtimes = 0$	DRAFT WHERE APPLICABLE MUST REMAIN WITHIN DIMENSIONS			THIRD ANGLE PROJECTION		DRAWING					
$\nabla = 0$						A1-SIZE		33482		11 OF 11	

**MX150 2X2 BLADE SEALED ASSEMBLY MAT SEAL
BOM AND PIN OUT SHEET**



ABBREVIATION	DESCRIPTION	COLOR	MATERIAL
A-BLK	HOUSING, KEYING OPTION A	BLACK	SPS/NYLON GF20
B-LG	HOUSING, KEYING OPTION B	LIGHT GRAY	SPS/NYLON GF20
C-BR	HOUSING, KEYING OPTION C	BROWN	SPS/NYLON GF20
D-GR	HOUSING, KEYING OPTION D	GREEN	SPS/NYLON GF20
C-DG	HOUSING, KEYING OPTION C	DARK GRAY	SPS/NYLON GF20
D-SG	HOUSING, KEYING OPTION D	STONE GRAY	SPS/NYLON GF20
A-YW	HOUSING, KEYING OPTION A	YELLOW	SPS/NYLON GF20
GCP	GROMMET CAP (PLUGGED)	BLACK	SPS/NYLON GF20
GCO	GROMMET CAP (OPEN)	BLACK	SPS/NYLON GF20
PLR	PLR	NATURAL	SPS/NYLON GF20
M	MAT SEAL	ROYAL BLUE	INHERENTLY LUBRICATED SILICONE

FOR ADDITIONAL INFORMATION SEE SD-33482-0001

ASSEMBLY DESCRIPTION	ASSEMBLY PART NUMBER	COMPONENT				BLOCKED TERMINALS										STATUS	COMMENTS	OPTIONAL ATTACHMENTS SOLD SEPERATELY			
		THE PRESENCE OF AN ABBREVIATION INDICATES THE PRESENCE OF THAT COMPONENT.				CAVITY WITH A NUMBER INDICATES BLOCKED TERMINAL POSITION CAVITY WITHOUT A NUMBER INDICATES OPEN TERMINAL POSITION												BACKSHELL WITH RIBS	BACKSHELL WITHOUT RIBS		
		HOUSING KEY/COLOR	GROMMET CAP	PLR	MAT SEAL	1	2	3	4												
KEY A, BLACK	33482-4001	A-BLK	GCO	PLR	M														SALEABLE		
KEY B, LIGHT GRAY	33482-4002	B-LG	GCO	PLR	M														SALEABLE		
KEY C, BROWN	33482-4003	C-BR	GCO	PLR	M														NOT RECOMMENDED	SEE 33482-4103	
KEY D, GREEN	33482-4004	D-GR	GCO	PLR	M														NOT RECOMMENDED	SEE 33482-4104	
KEY A, BLACK	33482-4006	A-BLK	GCP	PLR	M		2												SALEABLE		
KEY B, LIGHT GRAY	33482-4007	B-LG	GCP	PLR	M		2												SALEABLE		
KEY C, BROWN	33482-4008	C-BR	GCP	PLR	M		2												NOT RECOMMENDED	SEE 33482-4105	
KEY D, GREEN	33482-4009	D-GR	GCP	PLR	M		2												NOT RECOMMENDED	SEE 33482-4106	
KEY A, BLACK	33482-4011	A-BLK	GCP	PLR	M		2	3											SALEABLE		
KEY B, LIGHT GRAY	33482-4012	B-LG	GCP	PLR	M		2	3											SALEABLE		
KEY C, BROWN	33482-4013	C-BR	GCP	PLR	M		2	3											NOT RECOMMENDED	SEE 33482-4107	
KEY D, GREEN	33482-4014	D-GR	GCP	PLR	M		2	3											NOT RECOMMENDED	SEE 33482-4108	
KEY A, BLACK	33482-4016	A-BLK	GCP	PLR	M	1	2	3	4										SALEABLE		
KEY B, LIGHT GRAY	33482-4017	B-LG	GCP	PLR	M	1	2	3	4										SALEABLE		
KEY C, BROWN	33482-4018	C-BR	GCP	PLR	M	1	2	3	4										NOT RECOMMENDED	SEE 33482-4109	
KEY D, GREEN	33482-4019	D-GR	GCP	PLR	M	1	2	3	4										NOT RECOMMENDED	SEE 33482-4110	
KEY A, BLACK	33482-4021	A-BLK	GCP	PLR	M	1	2	3											SALEABLE		
KEY A, BLACK	33482-4022	A-BLK	GCP	PLR	M				4										SALEABLE		
KEY A, BLACK	33482-4023	A-BLK	GCP	PLR	M			3	4										SALEABLE		
KEY A, BLACK	33482-4024	A-BLK	GCP	PLR	M			3											SALEABLE		
KEY A, BLACK	33482-4025	A-BLK	GCP	PLR	M	1	2												SALEABLE		
KEY C, DARK GRAY	33482-4103	C-DG	GCO	PLR	M														SALEABLE		
KEY D, STONE GRAY	33482-4104	D-SG	GCO	PLR	M														SALEABLE		
KEY C, DARK GRAY	33482-4105	C-DG	GCP	PLR	M		2												SALEABLE		
KEY D, STONE GRAY	33482-4106	D-SG	GCP	PLR	M		2												SALEABLE		
KEY C, DARK GRAY	33482-4107	C-DG	GCP	PLR	M		2	3											SALEABLE		
KEY D, STONE GRAY	33482-4108	D-SG	GCP	PLR	M		2	3											SALEABLE		
KEY C, DARK GRAY	33482-4109	C-DG	GCP	PLR	M	1	2	3	4										SALEABLE		
KEY D, STONE GRAY	33482-4110	D-SG	GCP	PLR	M	1	2	3	4										SALEABLE		
KEY A, BLACK	33482-4111	A-BLK	GCP	PLR	M		2		4										SALEABLE		
KEY A, YELLOW	33482-4112	A-YW	GCO	PLR	M														SALEABLE		
KEY B, LIGHT GRAY	33482-4113	B-LG	GCP	PLR	M	1													SALEABLE		
KEY A, BLACK	33482-4115	A-BLK	GCP	PLR	M	1		3											SALEABLE		
KEY C, DARK GRAY	33482-4116	C-DG	GCP	PLR	M		2		4										SALEABLE		
KEY B, LIGHT GRAY	33482-4117	B-LG	GCP	PLR	M		2		4										SALEABLE		
KEY B, LIGHT GRAY	33482-4118	B-LG	GCP	PLR	M				4										SALEABLE		
KEY A, BLACK	33482-4119	A-BLK	GCP	PLR	M	1			4										SALEABLE		

**MX150 2X3 BLADE SEALED ASSEMBLY MAT SEAL
BOM AND PIN OUT SHEET**

ASSEMBLY DESCRIPTION	ASSEMBLY PART NUMBER	COMPONENT				BLOCKED TERMINALS										STATUS	COMMENTS	OPTIONAL ATTACHMENTS SOLD SEPERATELY				
		THE PRESENCE OF AN ABBREVIATION INDICATES THE PRESENCE OF THAT COMPONENT.				CAVITY WITH A NUMBER INDICATES BLOCKED TERMINAL POSITION CAVITY WITHOUT A NUMBER INDICATES OPEN TERMINAL POSITION												BACKSHELL WITH RIBS	BACKSHELL WITHOUT RIBS			
		HOUSING KEY/COLOR	GROMMET CAP	PLR	MAT SEAL	1	2	3	4	5	6											
KEY B, LIGHT GRAY	33482-3647	B-LG	GC	PLR	M		2	3											SALEABLE		34950-0610	34950-0620
KEY C, DARK GRAY	33482-3648	C-DG	GC	PLR	M						6								SALEABLE		34950-0610	34950-0620
KEY A, BLACK	33482-3649	A-BLK	GC	PLR	M				4		6								SALEABLE		34950-0610	34950-0620
KEY A, BLACK	33482-3650	A-BLK	GC	PLR	M	1		3		5									SALEABLE		34950-0610	34950-0620
KEY A, BLACK	33482-3651	A-BLK	GC	PLR	M		2		4		6								SALEABLE		34950-0610	34950-0620
KEY A, BLACK	33482-3652	A-BLK	GC	PLR	M	1					6								SALEABLE		34950-0610	34950-0620
KEY A, BLACK	33482-3653	A-BLK	GC	PLR	M		2			5									SALEABLE		34950-0610	34950-0620
KEY A, BLACK	33482-3654	A-BLK	GC	PLR	M	1		3	4										SALEABLE		34950-0610	34950-0620
KEY A, BLACK	33482-3655	A-BLK	GC	PLR	M	1	2	3		5	6								SALEABLE		34950-0610	34950-0620
KEY A, BLACK	33482-3656	A-BLK	GC	PLR	M	1	2	3											SALEABLE		34950-0610	34950-0620
KEY A, BLACK	33482-3657	A-BLK	GC	PLR	M				4	5									SALEABLE		34950-0610	34950-0620
KEY A, BLACK	33482-3658	A-BLK	GC	PLR	M	1													SALEABLE		34950-0610	34950-0620
KEY B, LIGHT GRAY	33482-3659	B-LG	GC	PLR	M	1													SALEABLE		34950-0610	34950-0620
KEY B, LIGHT GRAY	33482-3660	B-LG	GC	PLR	M					5									SALEABLE		34950-0610	34950-0620
KEY A, BLACK	33482-3661	A-BLK	GC	PLR	M	1				5									SALEABLE		34950-0610	34950-0620
KEY A, BLACK	33482-3662	A-BLK	GC	PLR	M			3	4		6								SALEABLE		34950-0610	34950-0620
KEY B, LIGHT GRAY	33482-3663	B-LG	GC	PLR	M					5	6								SALEABLE		34950-0610	34950-0620

Table with columns: ASSEMBLY DESCRIPTION, ASSEMBLY PART NUMBER, COMPONENT (HOUSING KEY/COLOR, GROMMET CAP, PLR, MAT SEAL), BLOCKED TERMINALS (1-8), STATUS, COMMENTS, and OPTIONAL ATTACHMENTS SOLD SEPERATELY (BACKSHELL WITH RIBS, BACKSHELL WITHOUT RIBS, 90° ADAPTOR WITH RIBS, 90° ADAPTOR WITHOUT RIBS).

MX150 2X6 BLADE SEALED ASSY MAT SEAL
BOM AND PIN OUT SHEET

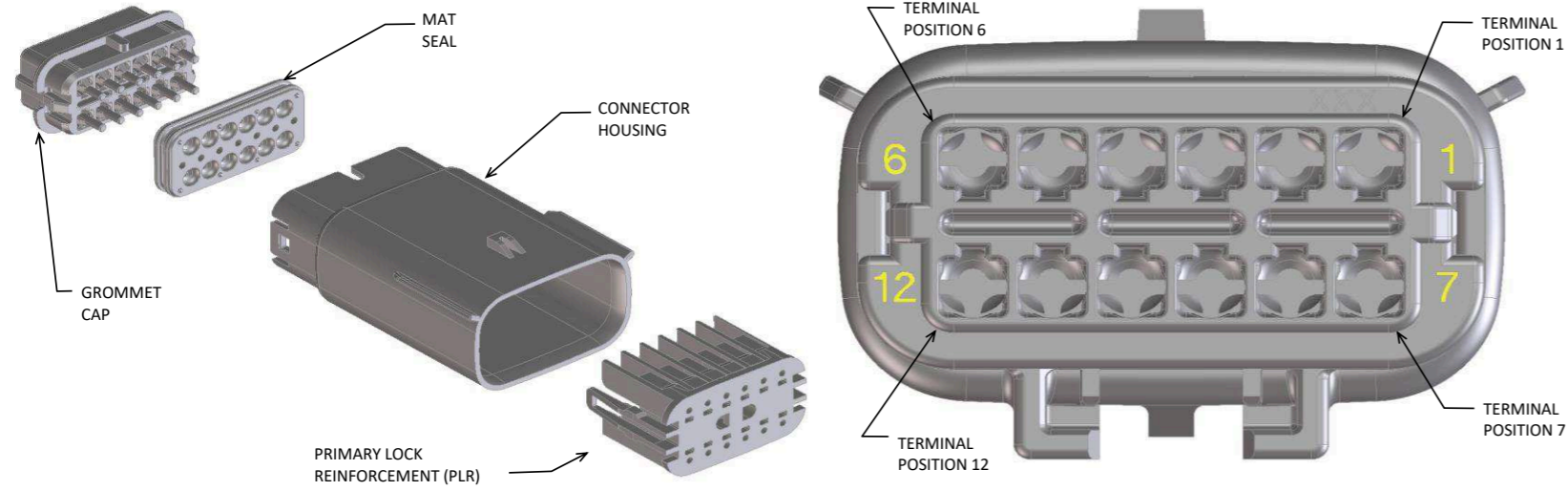


Table with 4 columns: ABBREVIATION, DESCRIPTION, COLOR, MATERIAL. Lists various housing options (A-BLK, B-LG, C-BR, D-GR, A-YL, C-DG, D-SG), grommet caps (GCP), primary lock reinforcements (PLR), and mat seals (M-R, M-B) with their respective colors and materials.

FOR ADDITIONAL INFORMATION SEE SD-33482-0001

Main BOM and Pin Out Table with columns: ASSEMBLY DESCRIPTION, ASSEMBLY PART NUMBER, COMPONENT (HOUSING KEY/COLOR, GROMMET CAP, PLR, MAT SEAL), BLOCKED TERMINALS (1-12), STATUS, COMMENTS, and OPTIONAL ATTACHMENTS SOLD SEPERATELY (BACKSHELL WITH RIBS, BACKSHELL WITHOUT RIBS).

MX150 2X6 BLADE SEALED ASSY MAT SEAL
BOM AND PIN OUT SHEET

Table with columns: ASSEMBLY DESCRIPTION, ASSEMBLY PART NUMBER, COMPONENT (HOUSING KEY/COLOR, GROMMET CAP, PLR, MAT SEAL), BLOCKED TERMINALS (1-12), STATUS, COMMENTS, and OPTIONAL ATTACHMENTS SOLD SEPERATELY (BACKSHELL WITH RIBS, BACKSHELL WITHOUT RIBS). Rows list various assembly parts with their specifications and terminal configurations.

MX150 2X8 BLADE SEALED ASSY MAT SEAL
BOM AND PIN OUT SHEET

Table with columns: ASSEMBLY DESCRIPTION, ASSEMBLY PART NUMBER, COMPONENT (HOUSING KEY/COLOR, GROMMET CAP, PLR, MAT SEAL), BLOCKED TERMINALS (1-16), STATUS, COMMENTS, and OPTIONAL ATTACHMENTS SOLD SEPARATELY (BACKSHELL WITH RIBS, BACKSHELL WITHOUT RIBS, 90° ADAPTOR WITH RIBS, 90° ADAPTOR WITHOUT RIBS).

MX150 2X8 BLADE SEALED ASSY MAT SEAL
BOM AND PIN OUT SHEET

Table with columns for ASSEMBLY DESCRIPTION, ASSEMBLY PART NUMBER, COMPONENT, HOUSING KEY/COLOR, GROMMET CAP, PLR, MAT SEAL, CAVITY (1-16), STATUS, COMMENTS, and OPTIONAL ATTACHMENTS SOLD SEPERATELY (BACKSHELL WITH RIBS, BACKSHELL WITHOUT RIBS, 90° ADAPTOR WITH RIBS, 90° ADAPTOR WITHOUT RIBS). The table lists components like KEY A, BLACK with various part numbers and their corresponding pin configurations.

MX150 2X8 BLADE SEALED ASSY MAT SEAL
BOM AND PIN OUT SHEET

Table with columns: ASSEMBLY DESCRIPTION, ASSEMBLY PART NUMBER, COMPONENT (HOUSING KEY/COLOR, GROMMET CAP, PLR, MAT SEAL), BLOCKED TERMINALS (1-16), STATUS, COMMENTS, and OPTIONAL ATTACHMENTS SOLD SEPARATELY (BACKSHELL WITH RIBS, BACKSHELL WITHOUT RIBS, 90° ADAPTOR WITH RIBS, 90° ADAPTOR WITHOUT RIBS).

