

SPEC. NUMBER S8-*	PRODUCT GROUP TFT- LCD	REV. P0	ISSUE DATE 2019-07-29	PAGE 1 OF 24

EV101WUM-N20 Product Specification Rev.P0

BUYER	
SUPPLIER	
FG-Code	EV101WUM-N20

ITEM	BUYER SIGNATURE	DATE
_____	_____	_____
_____	_____	_____
_____	_____	_____

ITEM	SUPPLIER SIGNATURE	DATE
Prepared	_____	_____
Reviewed	_____	_____
Approved	_____	_____

PRODUCT GROUP	REV	ISSUE DATE	
TFT- LCD PRODUCT	P0	2019-07-29	

SPEC. NUMBER S8-*	SPEC . TITLE B10 EV101WUM-N20 Product Specification	PAGE 2 OF 24
-----------------------------	---	------------------------

REVISION HISTORY

REV.	ECN No.	DESCRIPTION OF CHANGES	DATE	PREPARED
P0		Initial Release	2019-2-25	

PRODUCT GROUP	REV	ISSUE DATE	
TFT- LCD PRODUCT	P0	2019-07-29	
SPEC. NUMBER S8-*	SPEC. TITLE B10EV101WUM-N20 Product Specification		PAGE 3 OF 24

Contents

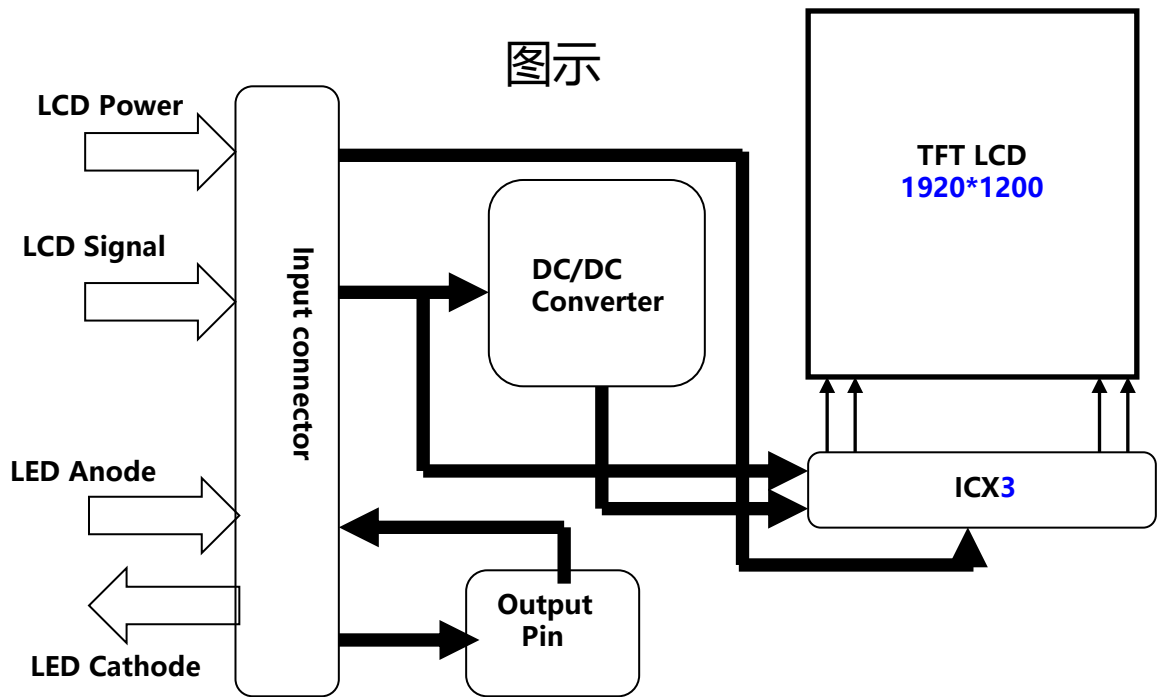
No.	Items	Page
1.0	General Description	4
2.0	Absolute Maximum Ratings	6
3.0	Electrical Specifications	7
4.0	Optical Specifications	13
5.0	Reliability Test	16
6.0	Packing Information	17
7.0	Product Label	19
8.0	Handling & Cautions	20
9.0	Appendix	23

PRODUCT GROUP		REV	ISSUE DATE	
TFT- LCD PRODUCT		P0	2019-07-29	
SPEC. NUMBER	SPEC. TITLE			PAGE
S8-*	B10EV101WUM-N20 Product Specification			4 OF 24

1.0 GENERAL DESCRIPTION

1.1 Introduction

EV101WUM-N20 is a color active matrix TFT LCD FOB using amorphous silicon TFT 's (Thin Film Transistors) as an active switching devices. This module has a 10.1 inch diagonally measured active area with WUXGA resolutions (1920 horizontal by 1200 vertical pixel array). Each pixel is divided into RED, GREEN, BLUE dots which are arranged in vertical stripe and this module can display 16.7M colors.



1.2 Features

- LVDS Interface;
- 8bit display 16.7M colors
- High contrast ratio and Transmittance

PRODUCT GROUP		REV	ISSUE DATE	
TFT- LCD PRODUCT		P0	2019-07-29	
SPEC. NUMBER S8-*	SPEC. TITLE B10EV101WUM-N20 Product Specification			PAGE 5 OF 24

1.3 Application

- G Industrial

1.4 General Specification

The followings are general specifications at the [EV101WUM-N20](#).

<Table 1. LCD Module Specifications>

Parameter	Specification	Unit	Remarks
Active Area	216.8064(H)*135.504(V)	mm	
Number Of Pixels	1920(H)×1200(V)	pixels	
Pixel Pitch	0.03764(H)×RGB×0.11292(V)	mm	
Pixel Arrangement	Pixels RGB stripe arrangement		
Display Mode	Normally Black		
Display Colors	16.7M(8bit)	colors	
Luminance of White	600	cd/m2	
Contrast Ratio	900:1(typ.)		
Viewing Angle(CR>10)	80/80/80/80(typ.)		
Response Time	30(typ.)/35(max.)	ms	
Color Gamut	72%NTSC		@BOE BLU
Power Consumption	Panel: 660(Typ.)	watt	@white
Outline Dimension	229.45(H)*149.22(V)*2.63(type)	mm	

PRODUCT GROUP		REV	ISSUE DATE
TFT- LCD PRODUCT		P0	2019-07-29
SPEC. NUMBER	SPEC. TITLE		PAGE
S8-*	B10EV101WUM-N20 Product Specification		6 OF 24

2.0 ABSOLUTE MAXIMUM RATINGS

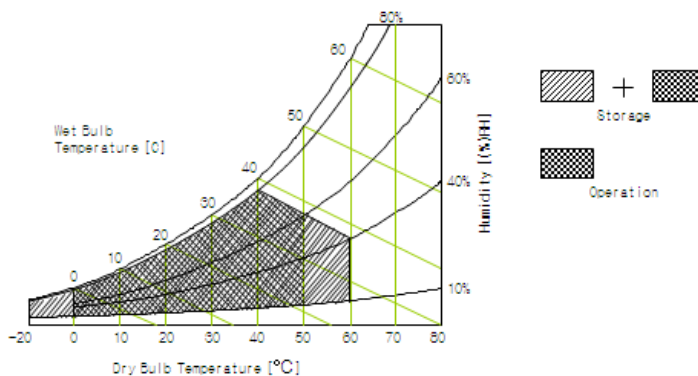
The followings are maximum values which, if exceed, may cause faulty operation or damage to the unit.

< Table 2. Absolute Maximum Ratings >

Parameter		Symbol	Min.	Max.	Unit	Remarks
Power Supply	LCD Module	VDD	VSS-0.3	3.6	V	Ta = 25 °C Note 1&2
Operating Temperature		T _{OP}	-20	+70	°C	Note 3
		T _{SUR}	-20	+70	°C	
Storage Temperature		T _{ST}	-25	+80	°C	
Operating Ambient Humidity		Hop	10	90	%RH	
Storage Humidity		Hst	10	90	%RH	

Note:

- These range above is maximum value not the actual operating temperature . Actual Operating temperature is no more than 40°C and temperature refers to the LCM surface temperature ; Length of operation: No more than 8 hours per day, and no more than 4 hours of continuous use one time.
- BOE is not responsible for product problems beyond the use conditions.
- Temperature and relative humidity range are shown in the figure below. Wet bulb temperature should be 39 °C max. and no condensation of water.



PRODUCT GROUP		REV	ISSUE DATE	
TFT- LCD PRODUCT		P0	2019-07-29	
SPEC. NUMBER	SPEC. TITLE			PAGE
S8-*	B10EV101WUM-N20 Product Specification			7 OF 24

3.0 ELECTRICAL SPECIFICATIONS

3.1 TFT LCD Module

< Table 3. LCD Module Electrical specifications >

[Ta =25±2 °C]

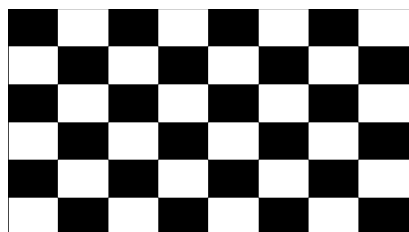
Parameter	Symbol	Values			Unit	Notes	
		Min.	Typ.	Max.			
Power Supply Voltage	VDD	3.0	3.3	3.6	V		
	VRP			300	mV	Ripple	
Power Supply Current	IDD	-	200	700	mA	Note 1	
Power Consumption	PLCD	-	0.7	2.3	W		
Rush current		IRUSH	-	-	3.0	A	Note 2
CMOS Interface	Input Voltage	VIH	2.7		3.3	V	
		VIL	0		0.5	V	
	Output Voltage	VOH	2.7		3.3	V	
		VOL	0		0.5	V	

Notes : 1. The supply voltage is measured and specified at the interface connector of LCM.

The current draw and power consumption specified is for VDD=3.3V, Frame rate $f_v=60\text{Hz}$ and Clock frequency = 72.4MHz. Test Pattern of power supply current

a) Typ : Mosaic 8 x 6 Pattern(L0/L255)

b) Max : skip subPixel(L255)



2. The duration of rush current is about 2ms and rising time of Power Input is 1ms(min)

PRODUCT GROUP		REV	ISSUE DATE	
TFT- LCD PRODUCT		P0	2019-07-29	
SPEC. NUMBER S8-*	SPEC. TITLE B10EV101WUM-N20 Product Specification			PAGE 8 OF 24

3.0 ELECTRICAL SPECIFICATIONS

3.2 Back-light Unit

< Table 4. LED Driving guideline specifications > [Ta =25±2 °C]

Parameter	Symbol	Values			Unit	Notes	
		Min.	Typ.	Max.			
LED Power supply Input voltage	VLED	17	20	23	V	-	
Power supply voltage for Back light	VLED	-	-	-	V	-	
Power supply current for Back light	ILED	-	170	-	mA	-	
EN Control level	Backlight on	VENH	1.2	-	18	V	En logic high voltage
	Backlight off	VENL	-	-	0.4		En logic low voltage
PWM Control level	PWM High Level	VPWH	1.2	-	18	V	-
	PWM Low Level	VPWL	-	-	0.4		-
PWM Control	PWM duty Ratio		1	-	-	%	-
	PWM Frequency	FPWM	5	-	100	KHZ	-

3.2 INPUT TERMINAL PIN ASSIGNMENT

This LCD employs one interface connections, a 45 pin connector is used for the LCD module electronics interface.

3.2.1 Pin assignment for LCD module

Connector : FH34SRJ-45S-0.5SH(50) (HRS) or equivalent

< Table4. Pin Assignment for LCD Module Connector >

Pin No.	Symbol	Description	I/O
1	VLED-	LED Cathode	P
2	VLED-	LED Cathode	P
3	VLED+	LED Anode	P
4	VLED+	LED Anode	P
5	NC	NC	-
6	GND	GROUND	P
7	ELV3P	EVEN LVDS Positive data signal (+)	I
8	ELV3N	EVEN LVDS Negative data signal (-)	I
9	GND	GROUND	P
10	ELV2P	EVEN LVDS Positive data signal (+)	I
11	ELV2N	EVEN LVDS Negative data signal (-)	I
12	GND	GROUND	P
13	ELVCLKP	EVEN LVDS Positive CLK signal (+)	I
14	ELVCLKN	EVEN LVDS Negative CLK signal (-)	I
15	GND	GROUND	P
16	ELV1P	EVEN LVDS Positive data signal (+)	I
17	ELV1N	EVEN LVDS Negative data signal (-)	I
18	GND	GROUND	P
19	ELV0P	EVEN LVDS Positive data signal (+)	I
20	ELV0N	EVEN LVDS Negative data signal (-)	I

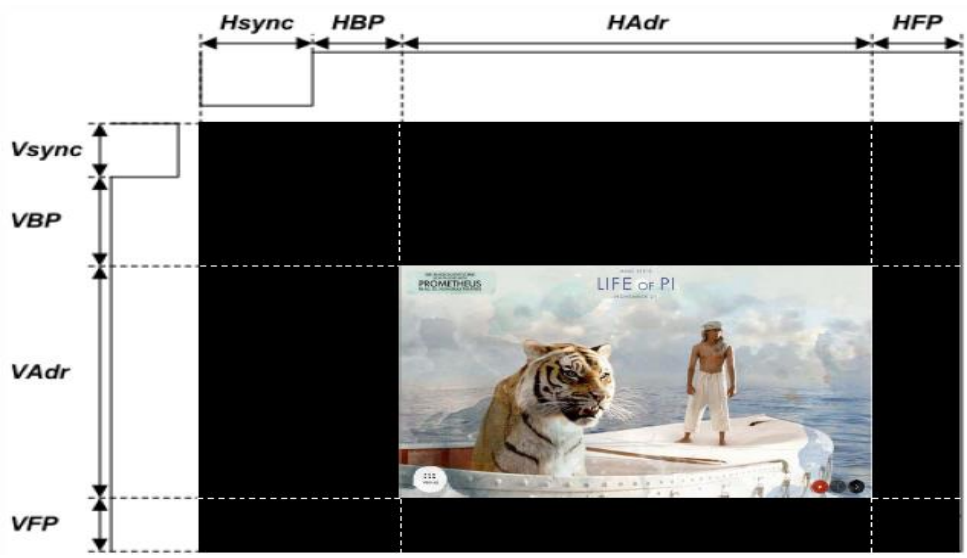
Pin No.	Symbol	Description	I/O
21	GND	GROUND	P
22	OLV3P	Odd LVDS Positive data signal (+)	I
23	OLV3N	Odd LVDS Negative data signal (-)	I
24	GND	GROUND	P
25	OLV2P	Odd LVDS Positive data signal (+)	I
26	OLV2N	Odd LVDS Negative data signal (-)	I
27	GND	GROUND	P
28	OLVCLKP	Odd LVDS Positive CLK signal (+)	I
29	OLVCLKN	Odd LVDS Negative CLK signal (-)	I
30	GND	GROUND	P
31	OLV1P	Odd LVDS Positive data signal (+)	I
32	OLV1N	Odd LVDS Negative data signal (-)	I
33	GND	GROUND	P
34	OLV0P	Odd LVDS Positive data signal (+)	I
35	OLV0N	Odd LVDS Negative data signal (-)	I
36	GND	GROUND	P
37	I2C_SDA	Reserved for LCD manufacturer' s use , not connection	I
38	I2C_SCL		I
39	VDD_OTP		P
40	EEPEN	Not Connection	I
41	VDDIN	Power supply VDDIN=3.3V (Typ.)	P
42	VDDIN		P
43	VDDIN		P
44	VDDIN		P
45	VDDIN		P

PRODUCT GROUP		REV	ISSUE DATE	
TFT- LCD PRODUCT		P0	2019-07-29	
SPEC. NUMBER	SPEC. TITLE			PAGE
S8-*	B10EV101WUM-N20 Product Specification			11 OF 24

3.3 Interface timing Parameter

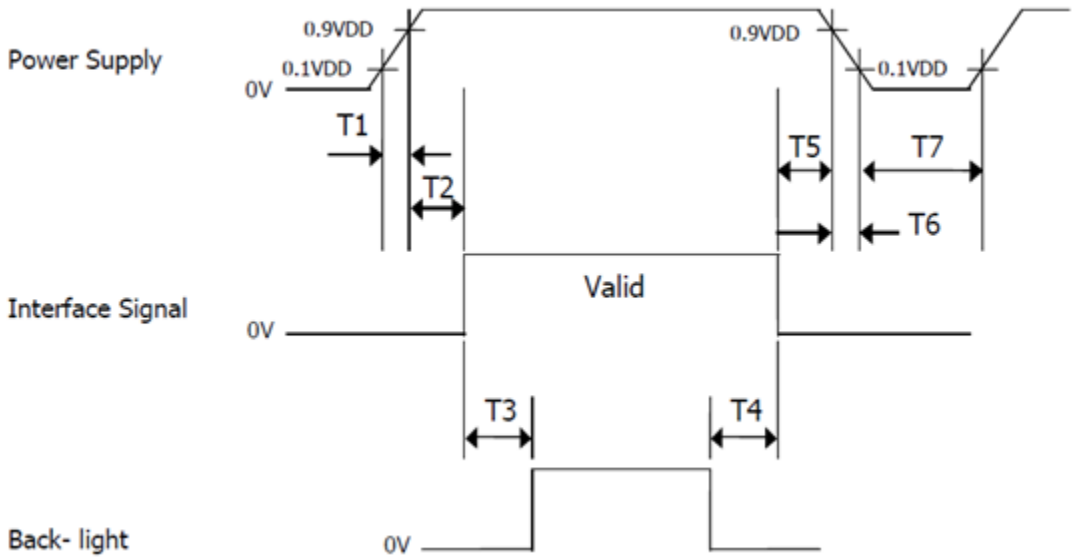
< Table5. LVDS Timing Parameter >

Parameter	Symbol	Value			Unit
		Min.	Typ.	Max.	
DCLK Frequency	Fdclk	71.6	74.1	85	MHz
Horizontal display area	Thd	960			DCLK
HSYNC period time	Th	989	1002	1248	DCLK
HSYNC pulse width	Thp	10	12	255	DCLK
HSYNC back porch	thbp	5	16	255	DCLK
HSYNC Front porch	thfp	24	26	260	DCLK
Vertical display area	Tvd	1200			H
VSYNC period time	Tv	1207	1232	1560	H
VSYNC Pluse width	Tvp	1	3	20	H
VSYNC back porch	Tvbp	2	24	255	H
VSYNC front porch	Tvfp	5	8	260	H
Frequency	fV	-	60	-	Hz



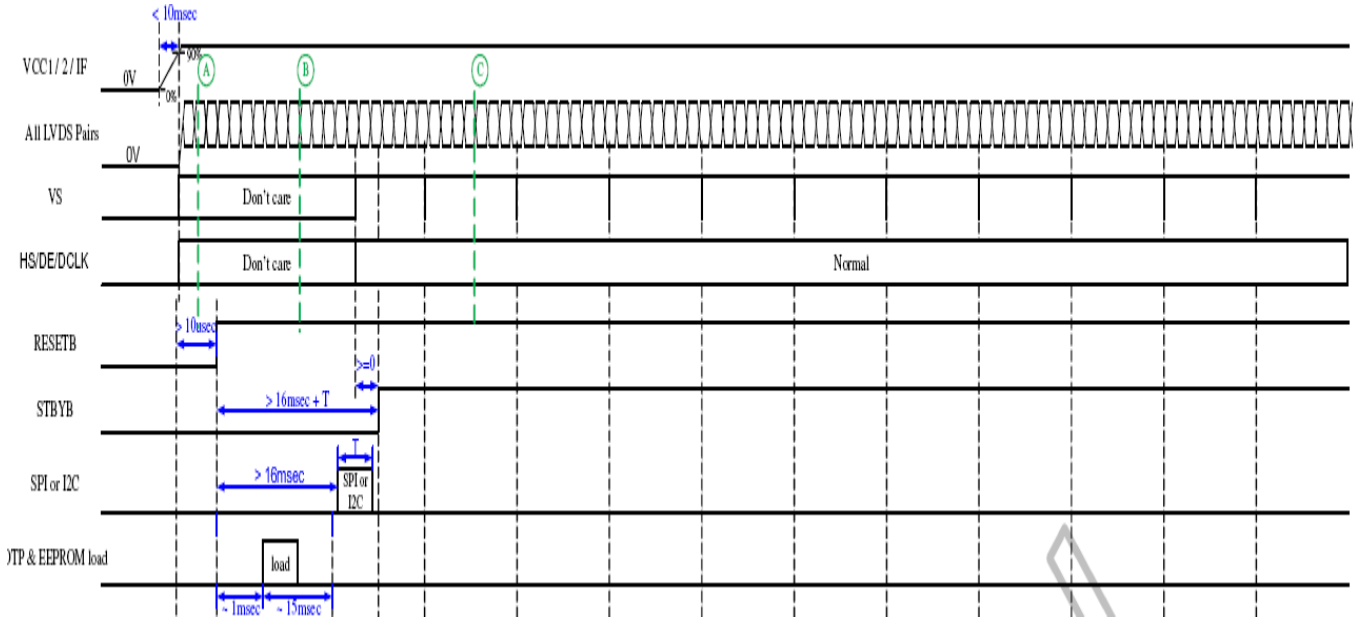
PRODUCT GROUP		REV	ISSUE DATE	
TFT- LCD PRODUCT		P0	2019-07-29	
SPEC. NUMBER	SPEC. TITLE			PAGE
S8-*	B10EV101WUM-N20 Product Specification			12 OF 24

3.4 Power Sequence



< Table6. Sequence Table >

Parameter	Values			Units
	Min	Typ	Max	
T1	0	-	10	ms
T2	0	-	50	ms
T3	200	-	-	ms
T4	500	-	-	ms
T5	0	-	50	ms
T6	0	-	10	ms
T7	500	-	-	ms



PRODUCT GROUP		REV	ISSUE DATE
TFT- LCD PRODUCT		P0	2019-07-29
SPEC. NUMBER	SPEC. TITLE		PAGE
S8-*	B10EV101WUM-N20 Product Specification		14 OF 24

4.0 OPTICAL SPECIFICATIONS

4.1 Overview

The test of optical specifications shall be measured in a dark room (ambient luminance ≤ 1 lux and temperature = $25 \pm 2^\circ\text{C}$) with the equipment of Luminance meter system (Gonio meter system and TOPCON BM-5) and test unit shall be located at an approximate distance 50cm from the LCD surface at a viewing angle of θ and Φ equal to 0° . We refer to $\theta\emptyset = 0$ ($=\theta 3$) as the 3 o' clock direction (the "right"), $\theta\emptyset = 90$ ($=\theta 12$) as the 12 O' clock direction ("upward"), $\theta\emptyset = 180$ ($=\theta 9$) as the 9 O' clock direction ("left") and $\theta\emptyset = 270$ ($=\theta 6$) as the 6 O' clock direction ("bottom"). While scanning θ and/or \emptyset , the center of the measuring spot on the Display surface shall stay fixed.

4.2 Optical Specifications

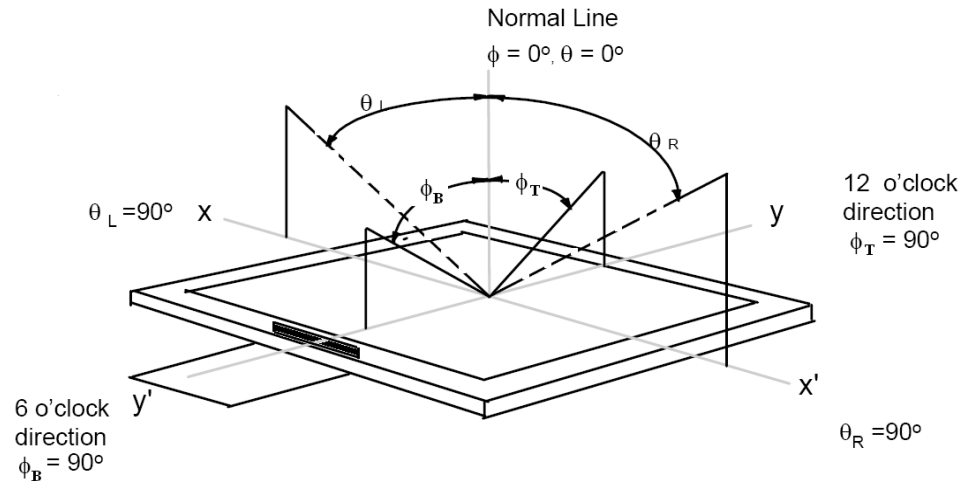
< Table7. Optical Table >

Item	Symbol	Condition	Min	Typ.	Max	Unit	Note
Viewing Angle	θ_L	$Cr \geq 10$	70	80	--	deg	Note 1
	θ_R		70	80	--		
	ψ_T		70	80	--		
	ψ_B		70	80	--		
Contrast Ratio	Cr	$\theta = 0^\circ$	700	900		-	Note 2
Response Time	Tr+Tf	FF=0°	--	30	35	ms	Note 3
Color Coordinate of CIE1931	Rx	$\theta = 0^\circ$		--		-	Note 4
	Ry			--			
	Gx			--			
	Gy			--			
	Bx			--			
	By			--			
	Wx			--			
Wy		--					
NTSC Ratio	NTSC	CIE1931	--	72	--	%	@BOE BLU Note 5
Gamma	-		1.9	2.2	2.5		Note 6
Polarization Direction of Front Polarizer	PdF	-		0		deg	Absorption axis Note 7
Polarization Direction of Rear Polarizer	PdR			90		deg	

PRODUCT GROUP		REV	ISSUE DATE
TFT- LCD PRODUCT		P0	2019-07-29
SPEC. NUMBER	SPEC. TITLE		PAGE
S8-*	B10EV101WUM-N20 Product Specification		15 OF 24

Note 1: The definition of Viewing Angle

Refer to the graph below marked by θ and ϕ .



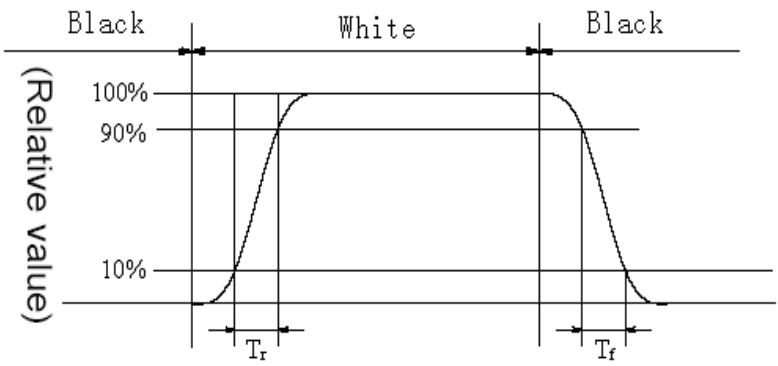
Note 2: The definition of Contrast Ratio

$$\text{Contrast Ratio (CR)} = \frac{\text{Luminance When LCD is at "White" state}}{\text{Luminance When LCD is at "Black" state}}$$

(Contrast Ratio is measured in optimum common electrode voltage)

Note 3: Definition of Response time. (Test LCD using RD80S or similar equipments):

The output sign also photo detector are measured when the input sign also are changed from "black" to "white" (Voltage falling time) and from "white" to "black" (Voltage rising time), respectively. The response time is defined as the time interval between the 10% and 90% of amplitudes. Refer to figures below.



Note 4: Color Coordinates of CIE 1931

The test condition is at ILED=20mA and measured on the surface of LCD module at 25°C.

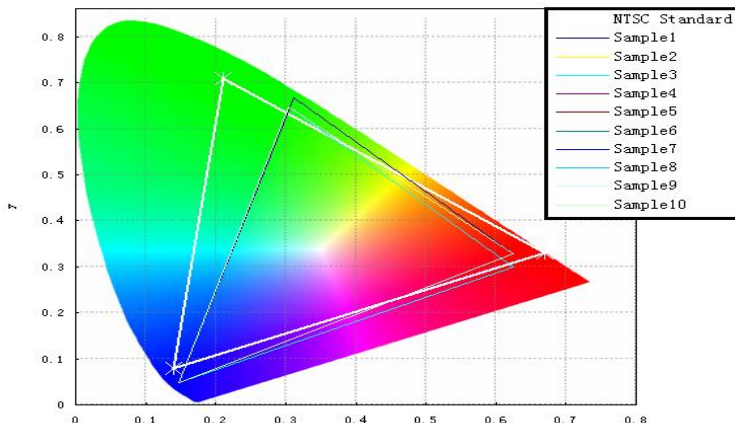
Measurement equipment: CS2000 or similar equipments

The Color Coordinate (CIE 1931) is the measurement of the center of the display shown in below figure.

PRODUCT GROUP		REV	ISSUE DATE
TFT- LCD PRODUCT		P0	2019-07-29
SPEC. NUMBER	SPEC. TITLE		PAGE
S8-*	B10EV101WUM-N20 Product Specification		16 OF 24

Note 5: Definition of Color of CIE Coordinate and NTSC Ratio.

$$S = \frac{\text{area of RGB triangle}}{\text{area of NTSC triangle}} \times 100\%$$

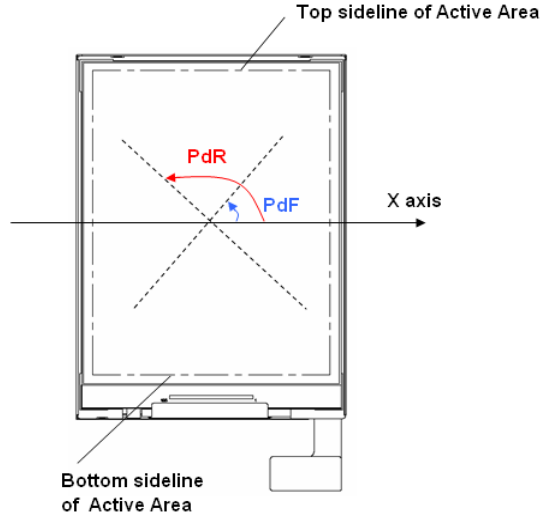


Note 6: gamma curve control

- For gamma curve control, HUAWEI' s request as below:
- 1,the whole curve' s tolerance must control within +/-0.3, HUAWEI will test the gray scale below: 0, 8, 16, 25, 33, 41, 49, 58, 66, 74, 82, 90, 99, 107, 115, 123, 132, 140, 148, 156, 165, 173, 181, 189, 197, 206, 214, 222, 230, 239, 247, 255

Note 7: Polarization Direction Definition

- Viewing direction is normal user viewing direction which is vertical to the display surface
- The polarizer which is closer to viewer is defined as Front Polarizer
- The polarizer which is on the rear side of viewer is defined as Rear Polarizer
- The X axis is defined as parallel line to top & bottom sidelines of the Active Area
- PdF which is marked in blue arrow is polarization degree of Front polarizer
- PdR which is marked in red arrow is polarization degree of Back polarizer
- The polarization degree parameter must be indicated in range of 0deg to 180deg according to above definition



PRODUCT GROUP		REV	ISSUE DATE	
TFT- LCD PRODUCT		P0	2019-07-29	
SPEC. NUMBER S8-*	SPEC. TITLE B10EV101WUM-N20 Product Specification			PAGE 17 OF 24

5.0 RELIABILITY TEST

The Reliability test items and its conditions are shown in below.

<Table 8. Reliability Test Parameters >

No	Test Items	Conditions
1	High temperature storage test	80°C 240hr
2	Low temperature storage test	-30°C 240hr
3	Low temperature operation test	-20°C 240hr
4	High temperature operation test	70°C 240hr
5	High temperature & high humidity (operation test)	60°C 90%RH 240hr
6	Thermal Shock Test	-40°C~80°C 1hr/cycle 100cycle
7		
8		
9		
10		
...		

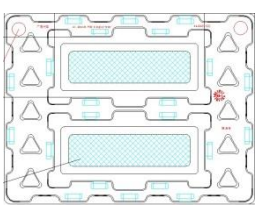
PRODUCT GROUP		REV	ISSUE DATE
TFT- LCD PRODUCT		P0	2019-07-29
SPEC. NUMBER	SPEC. TITLE		PAGE
S8-*	B10EV101WUM-N20 Product Specification		18 OF 24

6.0 PACKING INFORMATION(产品形态: FOB)

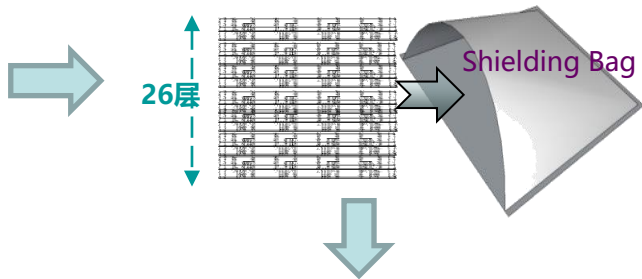
Packing procedure:

- 将 1pcs FOB 平放入Tray, 上下EPE 垫片 CF 侧向上放置;

- 将26pcs PET Tray 平放入Shielding Bag 进行抽真空处理;
- Tray 无需区分旋转码放



Tray

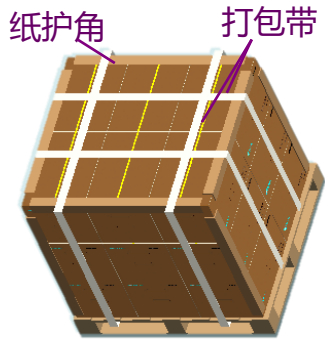


26层

Shielding Bag

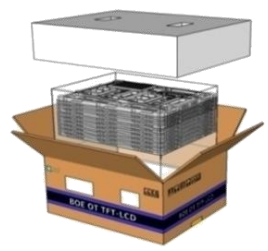
- 每个Pallet上放3层Box, 1层4箱
- Pallet 缠绕膜包装
- 900pcs / Pallet

- 将PET Tray堆码后平放入Inner Box 上下放置EPE Board
- 容量: 50pcs/Inner Box



纸护角

打包带



6.1 Packing Note(产品形态: FOG)

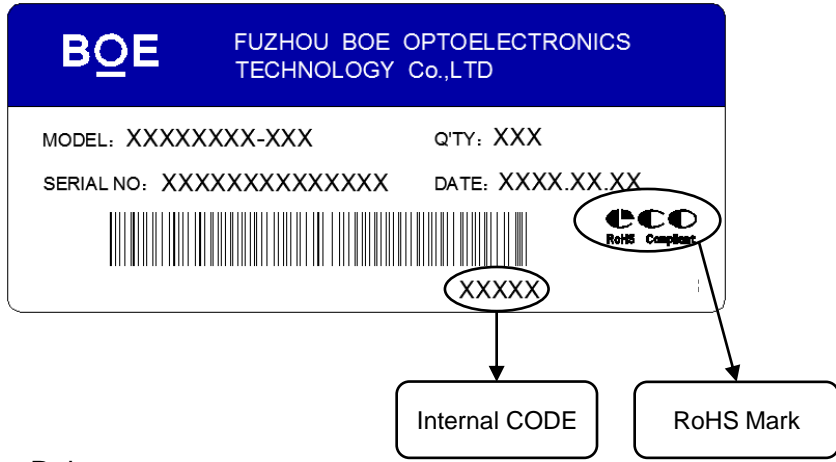
- Box Dimension: 564mm(W) x 413mm(D) x 290mm(H)
- Package Quantity in one Box: 50pcs

PRODUCT GROUP		REV	ISSUE DATE	
TFT- LCD PRODUCT		P0	2019-07-29	
SPEC. NUMBER	SPEC. TITLE			PAGE
S8-*	B10EV101WUM-N20 Product Specification			19 OF 24

6.2 Box label (产品形态: FOB)

Box label

- Label Size : 110 mm (L) × 50 mm (W)
- Contents
 Model :EV101WUM-N20
 Q`ty : Module 50 Q`ty in one box
 Serial No. : Box Serial No.
 Date : Packing Date




• Box ID Naming Rule:

Digit Code	1	2	3	4	5	6	7	8	9	10	11	12	13
Description	Products GBN		Grade	Line	Year		Month	Revision Code	Serial No				

PRODUCT GROUP		REV	ISSUE DATE	
TFT- LCD PRODUCT		P0	2019-07-29	
SPEC. NUMBER	SPEC. TITLE			PAGE
S8-*	B10EV101WUM-N20 Product Specification			20 OF 24

7.0 Product Label

③



EV101WUM-N20

①

XXXXXXXXXXXXXXXX

②

1. **FG-CODE:** EV101WUM-N20
2. **MDL ID**
3. **MDL ID对应二维码**

序列号	1	2	3	4	5	6	7	8	9	10	11	12	13
代码	X	X	X	X	X	X	X	X	X	X	X	X	X
描述	GBN代码		等级	B3	年份	月	序列号						

PRODUCT GROUP		REV	ISSUE DATE	
TFT- LCD PRODUCT		P0	2019-07-29	
SPEC. NUMBER	SPEC. TITLE			PAGE
S8-*	B10EV101WUM-N20 Product Specification			21 OF 24

8.0 Handling & Cautions

8.1 Mounting Method

- The panel of the LCD consists of two thin glasses with polarizers which easily get damaged. So extreme care should be taken when handling the LCD.
- Excessive stress or pressure on the glass of the LCD should be avoided. Care must be taken to insure that no torsional or compressive forces are applied to the LCD unit when it is mounted.
- If the customer's set presses the main parts of the LCD, the LCD may show the abnormal display. But this phenomenon does not mean the malfunction of the LCD and should be pressed by the way of mutual agreement.
- To determine the optimum mounting angle, refer to the viewing angle range in the specification for each model.
- Mount a LCD module with the specified mounting parts.

8.2 Caution of LCD Handling and Cleaning

- Since the LCD is made of glass, do not apply strong mechanical impact or static load onto it. Handling with care since shock, vibration, and careless handling may seriously affect the product. If it falls from a high place or receives a strong shock, the glass may be broken.
- The polarizers on the surface of panel are made from organic substances. Be very careful for chemicals not to touch the polarizers or it leads the polarizers to be deteriorated.
- If the use of a chemical is unavoidable, use soft cloth with solvent (recommended below) to clean the LCD 's surface with wipe lightly.
-IPA(Isopropyl Alcohol), Ethyl Alcohol, Trichlorotrifluoroethane
- Do not wipe the LCD's surface with dry or hard materials that will damage the polarizers and others. Do not use the following solvent.
-Water, Ketone, Aromatics
- It is recommended that the LCD be handled with soft gloves during assembly, etc. The polarizers on the LCD's surface are vulnerable to scratch and thus to be damaged by sharp particles.
- Do not drop water or any chemicals onto the LCD's surface.
- A protective film is supplied on the LCD and should be left in place until the LCD is required for operation.
- The ITO pad area needs special careful caution because it could be easily corroded. Do not contact the ITO pad area with HCFC, Soldering flux, Chlorine, Sulfur, saliva or fingerprint. To prevent the ITO corrosion, customers are recommended that the ITO area would be covered by UV or silicon.

PRODUCT GROUP		REV	ISSUE DATE	
TFT- LCD PRODUCT		P0	2019-07-29	
SPEC. NUMBER	SPEC. TITLE			PAGE
S8-*	B10EV101WUM-N20 Product Specification			22 OF 24

8.3 Caution Against Static Charge

- The LCD modules use C-MOS LSI drivers, so customers are recommended that any unused input terminal would be connected to Vdd or Vss, do not input any signals before power is turn on, and ground you body, work/assembly area, assembly equipments to protect against static electricity.
- Remove the protective film slowly, keeping the removing direction approximate 30-degree not vertical from panel surface, If possible, under ESD control device like ion blower, and the humidity of working room should be kept over 50%RH to reduce the risk of static charge.
- Avoid the use work clothing made of synthetic fibers. We recommend cotton clothing or other conductivity-treated fibers.
- In handling the LCD, wear non-charged material gloves. And the conducting wrist to the earth and the conducting shoes to the earth are necessary.

8.4 Caution For operation

- It is indispensable to drive the LCD within the specified voltage limit since the higher Voltage than the limit causes the shorter LCD's life. An electro-chemical reaction due to DC causes undesirable deterioration of the LCD so that the use of DC drive should avoid.
- Do not connect or disconnect the LCD to or from the system when power is on.
- Never use the LCD under abnormal conditions of high temperature and high humidity.
- When expose to drastic fluctuation of temperature (hot to cold or cold to hot) ,the LCD may be affected; Specifically, drastic temperature fluctuation from cold to hot ,produces dew on the LCD's surface which may affect the operation of the polarizer and the LCD.
- Response time will be extremely delayed at lower temperature than the operating temperature range and on the other hand at higher temperature LCD may turn black at temperature above its operational range. However those phenomena do not mean malfunction or out of order with the LCD. The LCD will revert to normal operation once the temperature returns to the recommended temperature range for normal operation.
- Do not display the fixed pattern for a long time because it may develop image sticking due to the LCD structure. If the screen is displayed with fixed pattern, use a screen saver.

PRODUCT GROUP		REV	ISSUE DATE	
TFT- LCD PRODUCT		P0	2019-07-29	
SPEC. NUMBER	SPEC. TITLE			PAGE
S8-*	B10EV101WUM-N20 Product Specification			23 OF 24

8.5 Packaging

- Modules use LCD element, and must be treated as such.
 - Avoid intense shock and falls from a height.
 - To prevent modules from degradation, do not operate or store them exposed directly to sunshine or high temperature/humidity for long periods.

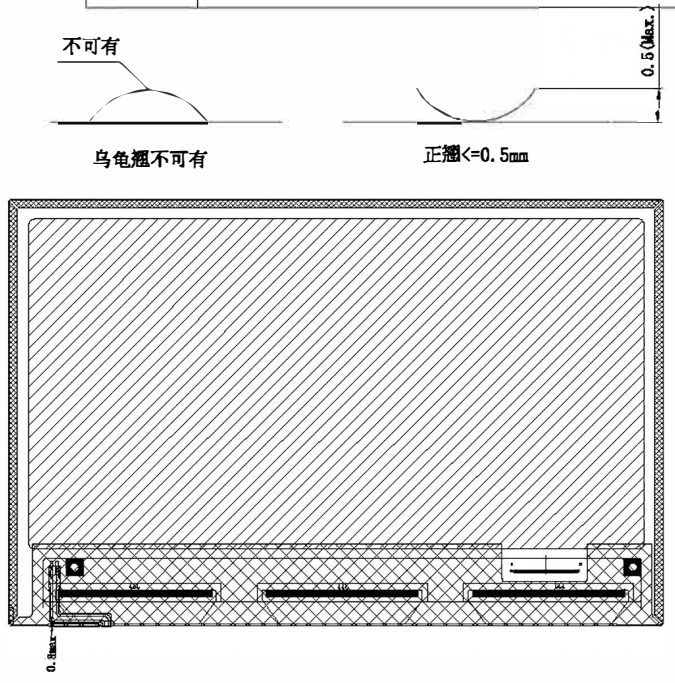
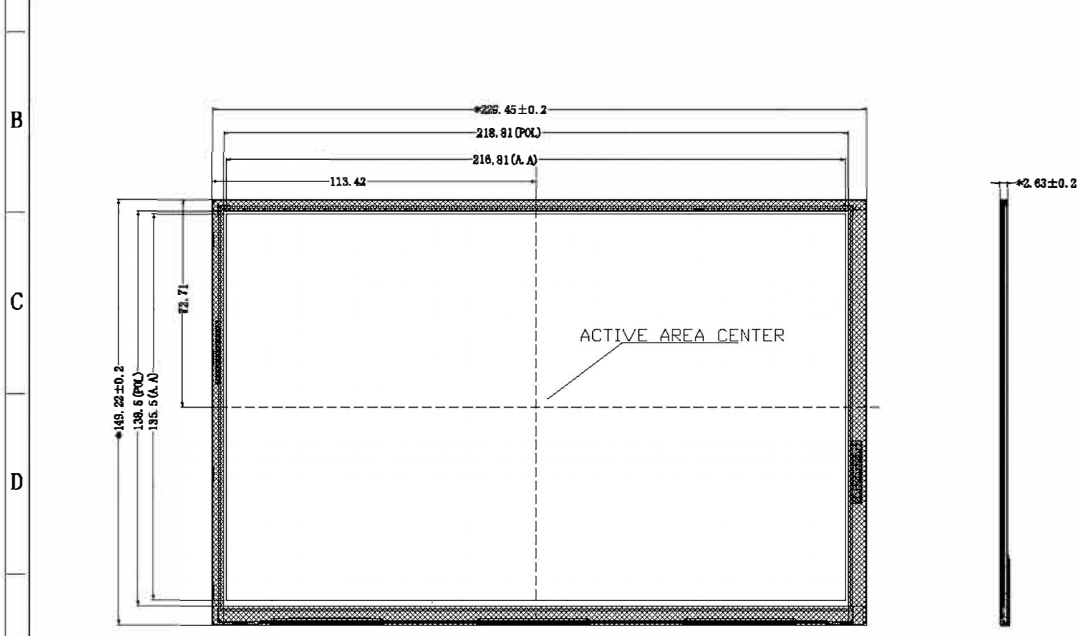
8.6 Storage

- A slight dew depositing on terminals is a cause for electro-chemical reaction resulting in terminal open circuit. Relative humidity of the environment should therefore be kept below 60%RH.
- Original protective film should be used on LCD' s surface (polarizer). Adhesive type protective film should be avoided, because it may change color and/or properties of the polarizers.
- Do not store the LCD near organic solvents or corrosive gasses.
- Keep the LCD safe from vibration, shock and pressure.
- Black or white air-bubbles may be produced if the LCD is stored for long time in the lower temperature or mechanical shocks are applied onto the LCD.
- In the case of storing for a long period of time for the purpose or replacement use, the following ways are recommended.
 - Store in a polyethylene bag with sealed so as not to enter fresh air outside in it.
 - Store in a dark place where neither exposure to direct sunlight nor light is.
 - Keep temperature in the specified storage temperature range.
 - Store with no touch on polarizer surface by the anything else. If possible, store the LCD in the packaging situation LCD when it was delivered.

8.7 Safety

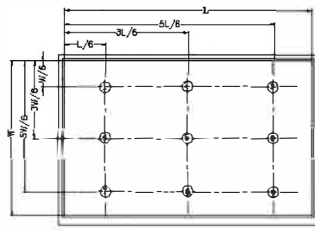
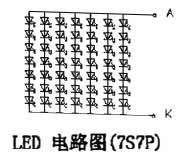
- For the crash damaged or unnecessary LCD, it is recommended to wash off liquid crystal by either of solvents such as acetone and ethanol an should be burned up later.
- In the case the LCD is broken, watch out whether liquid crystal leaks out or not. If your hands touch the liquid crystal, wash your hands cleanly with water an soap as soon as possible.
- If you should swallow the liquid crystal, first, wash your mouth thoroughly with water, then drink a lot of water and induce vomiting, and then, consult a physician.
- If the liquid crystal should get in your eyes, flush your eyes with running water for at least fifteen minutes.
- If the liquid crystal touches your skin or clothes, remove it and wash the affected part of your skin or clothes with soap and running water.

1	2	3	4	5	6	7	8
客户确认		结构确认		项目确认			
签名							
				REV.	DESCRIPTION	REVISER	DATE



- RoHS
- Notes:
- Unit: mm
 - Do not scale drawing
 - All radii without dimension R0.20mm, Not specified tolerance is: ±0.2
 - "A" For important dimension; "C" For CPK dimension
 - "()" for reference dimension
 - △ modification rev. number, Draft angle 1.0°
 - 满足隆兴威可靠性试验
 - 同一背光色座坐标x/y要求: 最大值与最小值相差不超过0.02
 - 亮度、色度数据以隆兴威研发EM-7为准。(9点测试)
 - Balls must be complied. (Use Lead-free process)
 - 平整度控制到0.5MAX

ITEM	SYMBOL	MIN.	TYP.	MAX.	UNIT	Condition
Forward Voltage	Vf	—	—	23.8	V	
Luminance (9 Points average)	Lv	5700	—	—	cd/m ²	
Uniformity	Avg	75	—	—	%	
Colour Coordinate (Center Point)	X	0.26	0.28	0.31		If=160mA (恒定电流) 测试仪器: BM-7 测试高度500mm T=26° C
	Y	0.26	0.28	0.32		
Lumiance (9 Points average)	Lv	450	—	—	cd/m ²	
Uniformity	Avg	75	—	—	%	
Colour Coordinate (Center Point)	X	0.27	—	0.33		
	Y	0.29	—	0.37		
Operating Temperature	T _{op}	0	—	+50	° C	
Storage Temperature	T _{sig}	-20	—	+60	° C	



测试9点, 测试距离: 50±5cm, 测试角度: 1° Ø5
均匀性=最小/最大亮度*100%, 测试仪器BM-7A

Design by: (设计)	模组成品图		数量	比例	第三视角
Check by: (审查)	版本	A	1	1:1	
Approval By: (承认)	单位	mm	页数	第 1 张 共 1 张	

Customer's Code: (客户料号)	Lrwei's No.: (隆兴威料号)
	LXW101IM30749B
Don't scale this drawing (请勿缩放此图纸)	