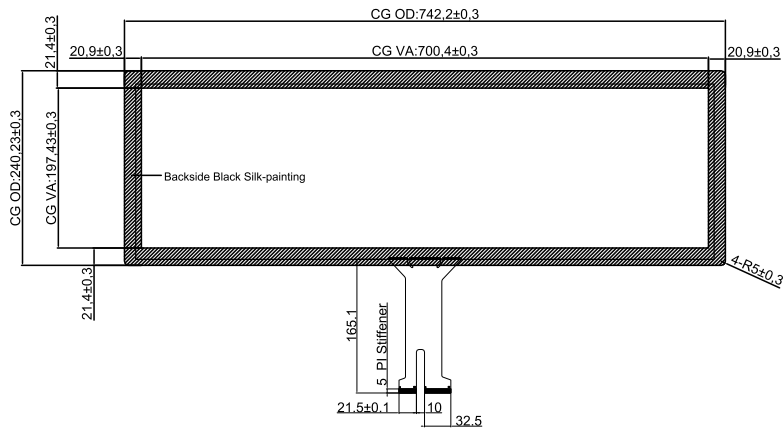
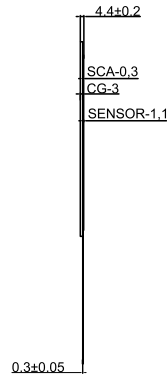


Ver.	Modify No.	Details	Area	P.I.C	Date

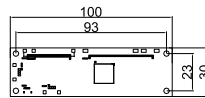
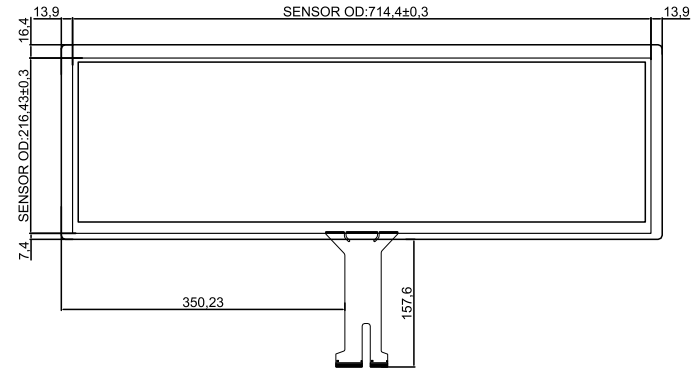
Front View



Side View



Back View



Technical Datasheet:

1. Structure: Cover Glass+SCA+ITO Glass
2. Controller: BTP-GG-CTR-ETI-286B-R01 COB
3. Controller IC: EETI80H83
4. Cover Glass: T=3mm, Surface hardness ≥6H
5. Light transmittance: ≥85%
6. Working Temperature: -20℃~+80℃, ≤85%RH;
7. Storage Temperature: -30℃~+80℃, ≤85%RH;
8. Unmarked Tolerance: ± 0.3 mm;
9. All material used conform to RoHS standards

Part No.	BTP-GG-TPB-28.6-ETI-R01		
Product Name: 28.6 inch Touch Panel	Drawing No.	G286B23220214R01	
	Project Code.	G286R01	
Business Unit: SNT-BTP	Period Mark	A	View Angle
	View Angle	1:1	
BOM Code	1.12.286.23.0101	Page 1	Total 1 Page
Product Series	BTP-GG		

Designed by:	Curry.Wang
Checked by:	Betty.Fu
Approved by:	Cale.Chen
Workmanship:	Yong.Xin
Standardization:	Link.Chen
Released by:	Rocky.Liu