

PRODUCT DATASHEET

S01.01.02.128 _ NOBEL-D31-1-9.2

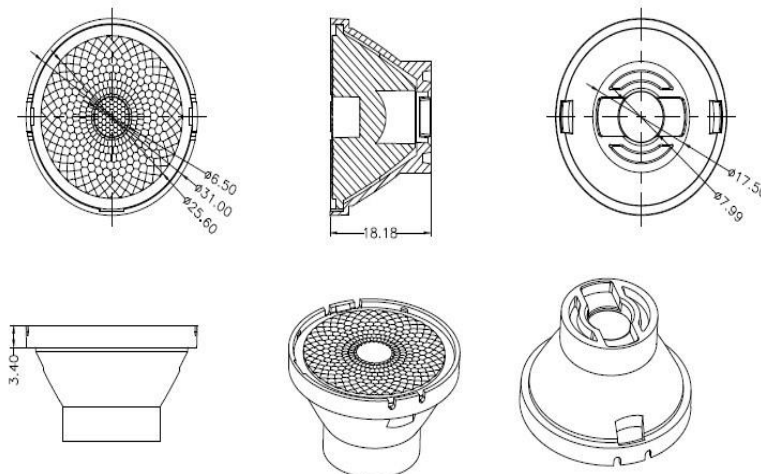
1.General Information

- ✓ Material : PMMA VH001
- ✓ Size : D31 (mm)
- ✓ FWHM : 9.2
- ✓ Design LED : SOLDER LED PACKAGE 7575
- ✓ Compatible LED size : N/A
- ✓ Efficiency : 93%
- ✓ Fasten : Glue
- ✓ IP class : N/A
- ✓ Accessories : Conical Holder With Clamp Led Hole
- ✓ RoHS : YES
- ✓ Surface : Bead



2.MECHANICAL SPECIFICATION

UNIT:MM



3.OPTICAL DATA

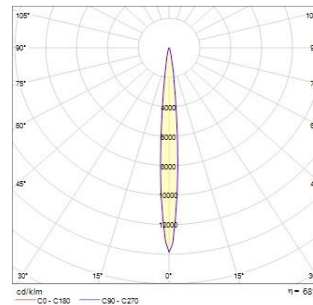
1) Simulation Data

LED model : SOLDER LED PACKAGE 7575

Light colour : White

FWTM : H19.8°,V19.7°

FWHM : H9.1°,V9.2°



2) Test Data

LED model : N/A

Light colour : N/A

FWTM : N/A

FWHM : N/A

Remark : N/A

4.Usage and Maintenance

- 1) If necessary, clean lenses with mild soap, water and soft cloth.
- 2) Never use any commercial cleaning solvents on lenses, like alcohol.
- 3) Please handle lens with wearing gloves, skin oils may damage lens or its optical characteristic.

5.Note

Please test the data again before using. The chart data is for reference only.