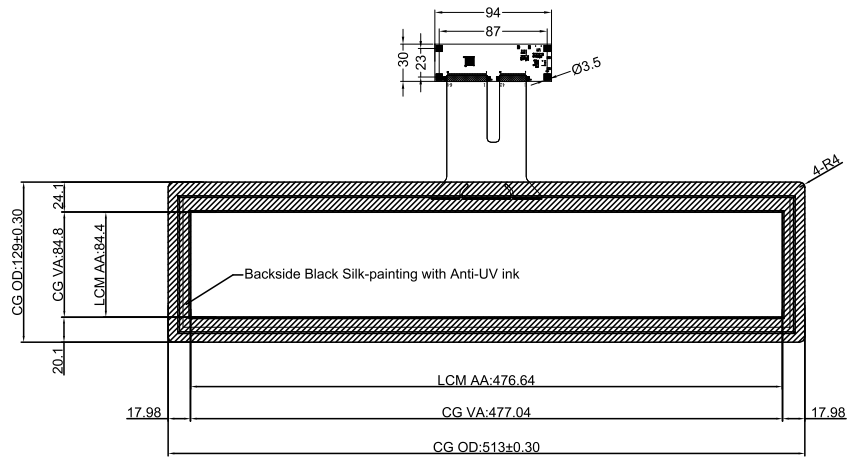
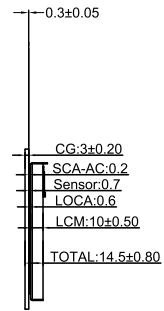


Ver.	Modify No.	Details	Area	P.I.C	Date

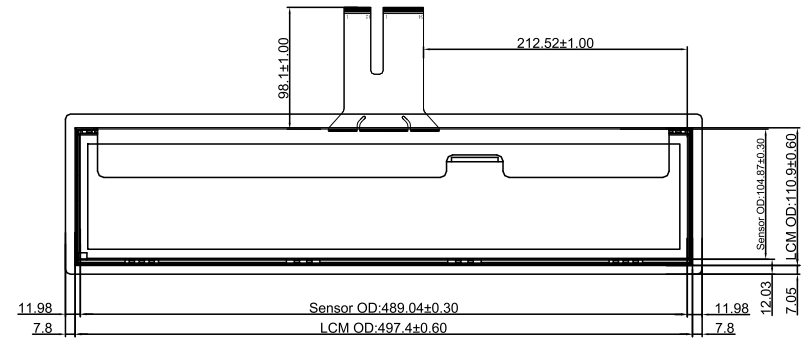
Front View



Side View



Back View



Technical Datasheet:

1. Structure: TP+LCM Optical Bonding
2. Cover Glass: 3mm Tempered Glass
3. LCD: RX0191TA02-C070
4. TP Controller: BTP-TPM-CTR-ILI-190B-SN18
5. TP Controller IC: ILI2510 (Interface: USB)
6. Surface Hardness: ≥6H
7. Light Transmittance: ≥85%
8. Working Temperature: 0°C~+50°C, ≤85%RH;
9. Storage Temperature: -20°C~+60°C, ≤85%RH;
10. Unmarked Tolerance: ±0.5mm
11. All materials used conform to RoHS standards

Designed by:	Curry.Wang
Checked by:	Jimmy.Lu
Approved by:	Cale.Chen
Workmanship:	
Standardization:	Link.Chen
Released by:	Rocky.Liu

Part No.	BTP-TPM-RX-19-ILI-SN18			
Product Name:	19 inch Touch Display	Drawing No.	PM190250317SN18	
		Project Code.	PM190SN18	
Business Unit:	SNT-BTP	Period Mark	View Angle	Ratio
		A		1:1
BOM Code	2.03.190.01.0118	Page 1	Total 1 Page	
Product Series	BTP-TPM	思诺泰科创电子(苏州)有限公司 SINOTRONICS INC.		