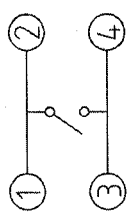
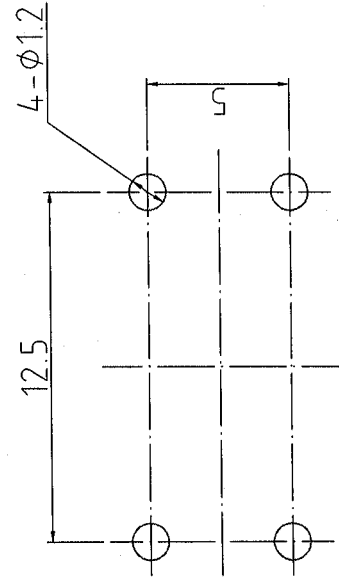
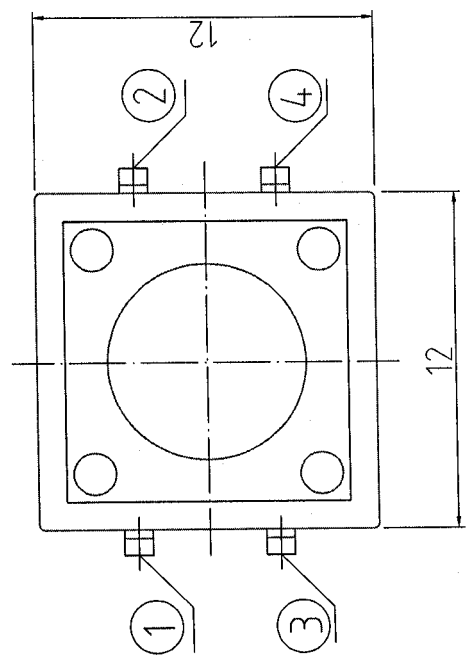


SPECIFICATION:

Rating: DC12V 50mA
 Contact Resistance: 100m ohm max
 Insulation Resistance: 100M ohm min
 Operation Force: 160±30gf
 Life: 100,000cycles



Circuit Diagram



P.C.B. LAYOUT

	DWN: Z.L.Y.		DATE:	TITLE: TACT SWITCH
	CHKD: W. Y.		mm	PAGE:
	APVD: C.S.C.	SCALE:		PART NO.: TS31120N