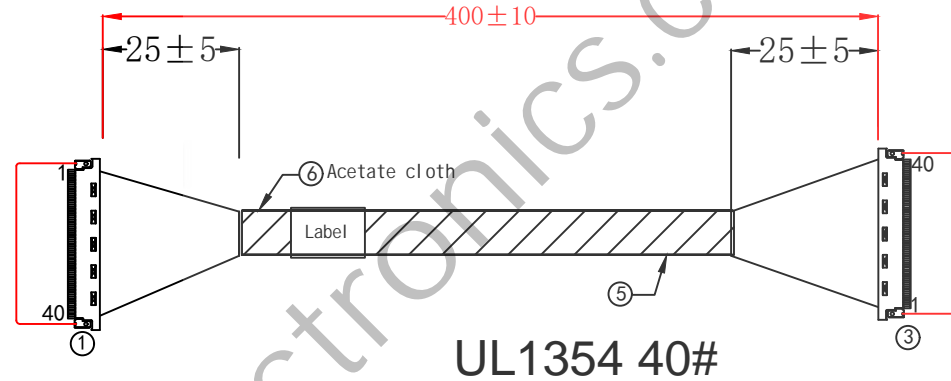


**GN1                      GN2**

Blue	1	_____	1
Blue	2	_____	2
Blue	3	_____	3
Blue	4	_____	4
Blue	5	_____	5
Blue	6	_____	6
Blue	7	_____	7
Blue	8	_____	8
Blue	9	_____	9
Blue	10	_____	10
Blue	11	_____	11
Blue	12	_____	12
Blue	13	_____	13
Blue	14	_____	14
Blue	15	_____	15
Blue	16	_____	16
Blue	17	_____	17
Blue	18	_____	18
Blue	19	_____	19
Blue	20	_____	20
Blue	21	_____	21
Blue	22	_____	22
Blue	23	_____	23
Blue	24	_____	24
Blue	25	_____	25
Blue	26	_____	26
Blue	27	_____	27
Blue	28	_____	28
Blue	29	_____	29
Blue	30	_____	30
Blue	31	_____	31
Blue	32	_____	32
Blue	33	_____	33
Blue	34	_____	34
Blue	35	_____	35
Blue	36	_____	36
Blue	37	_____	37
Blue	38	_____	38
Blue	39	_____	39
Blue	40	_____	40

Golden Finger Side

GN1  
20454-40P



UL1354 40#

Golden Finger Side

GN2  
20454-40P

**Note:**

- 1: The pull-out force of terminals and wires > 1.5kg
- 2: 100% test for broken short circuits
- 3: Contact impedance 3
- 4: Insulation impedance 200v10M
- 5: I-Pex iron shell power-off UV glue curing must not extend beyond the connector surface

Part No.	KAB-IPEX20453-040T-IPEX20453-040T-400		
Product Name:	Lvds cable	Drawing No.	
		Project Code.	
Business Unit:	SNT-CKP	Period Mark	A
		View Angle	
		Ratio	1:1
BOM Code		Page 1	Total 1 Page
Product Series	Cable Assembly	思诺泰科创电子（苏州）有限公司 SINOTRONICS INC.	