

Data sheet

Cover plate 3RU/7HP

Page 1/3

P/N

130810-01-E

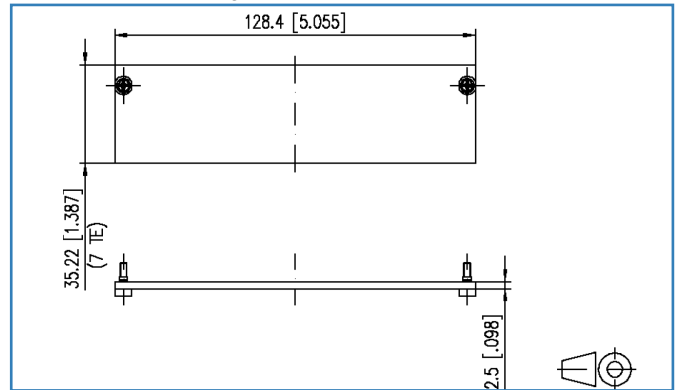
EAN 4250184103585

2016-21-11

Illustrations



Dimensional drawing



See enlarged drawings at the end of document

Product specification

- 3RU/7HP cover plate for closing an incompletely equipped 3RU module frame
- made of silver anodized aluminum

Data sheet Cover plate 3RU/7HP

Page 2/3

P/N
130810-01-E
EAN 4250184103585

2016-21-11

Technical Data

General Data

Design	Cover
Mounting style	3RU/7HP
Color	anodized alu.
Dimensions	
Dimension (L x W x H)	35.22 x 128.40 x 2.50 mm
Dimension (L x W x H)	1.387 x 5.055 x 0.098 in.

Materials and material properties

Material	silver anodized aluminum
----------	--------------------------

Approvals

RoHS	compliant
------	-----------

Classifications

ETIM 5.0	EC001128
ETIM 6.0	EC001128

Packing details

Type of packaging	1 pc(s) / plastic bag
Packaging unit - Weight (gram)	42.00 g
Packaging unit - Weight (pound)	0.09 lb

Illustrations

Dimensional drawing

