

TECHNICAL CHARACTERISTICS

MATERIAL  
 INSULATOR: PA 66  
 FLAMABILITY RATING: UL94-V0  
 COLOR: GREEN  
 METAL HOUSING: BRASS (CuZn)  
 CONTACT: PhBz TIN PLATED  
 WIRE GUARD: STAINLESS STEEL

ENVIRONMENTAL  
 OPERATING TEMPERATURE: -40 UP TO 105°C  
 COMPLIANCE: LEAD FREE AND ROHS

ELECTRICAL  
 CURRENT RATING: 10A  
 WORKING VOLTAGE: 300VAC  
 WITHSTANDING VOLTAGE: 1.6KV  
 CONTACT RESISTANCE: 20 mOhm MAX

STANDARD  
 CERTIFIED E315414

MECHANICAL  
 SOLID WIRE: 26-12 AWG / 0.129-3.31 MM<sup>2</sup>  
 STRANDED WIRE: 26-12 AWG / 0.129-3.31 MM<sup>2</sup>

WIRE STRIPE LENGTH: 6-7 MM  
 PITCH: 5.08 MM

PACKAGING  
 BOX

RoHS Compliant			
G			
F			
E			
D	13-OCT-09	STANDARD	JP
C	29-OCT-08	CHARACTERISTICS	JP
B	19-MAR-08	PAGE 2	CH
A	31-OCT-07	PDF	EC
REV	DATE	FILE	BY

PROJECTION:	GENERAL TOLERANCE
	.X = +/- 0.2
	.XX = +/- 0.15
APPROVAL: RJ	UNIT: MM
	SCALE:
	SHEET: 1/2
	DRAW: MARVIN

**DESCRIPTION: SERIE 353 - 5.08MM SCREWLESS VERTICAL CABLE ENTRY PLUG - WR-TBL**

**WERI PART NO: 691 353 500 0xx**

SIZE  
**A4**

1

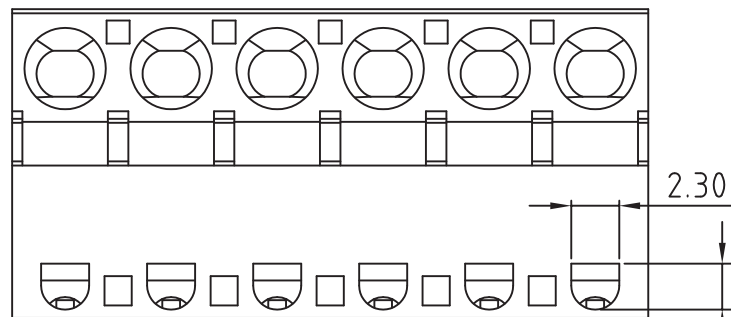
2

3

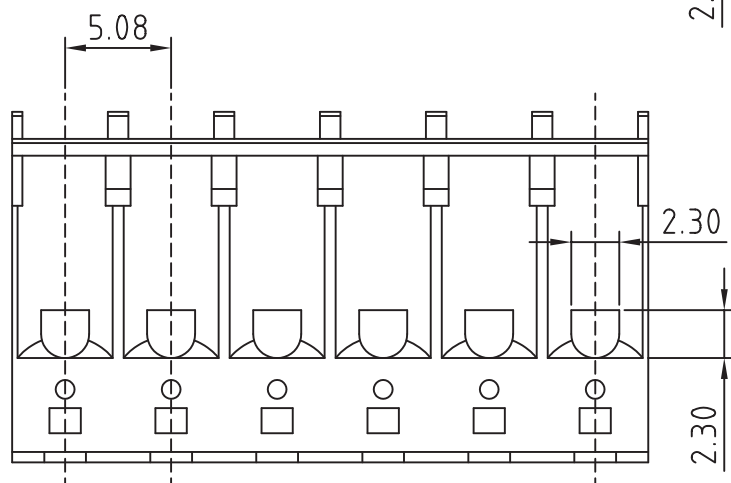
4

5

## TEST POINT DETAILS:



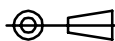
FRONT TEST POINT



TOP TEST POINT

RoHS Compliant

PROJECTION:



GENERAL TOLERANCE

.X =  $\pm 0.2$ .XX =  $\pm 0.15$ 

APPROVAL: RJ

UNIT: MM

SCALE:

SHEET: 2/2

DRAW: MARVIN

DESCRIPTION: SERIE 353 - 5.08MM SCREWLESS VERTICAL CABLE ENTRY  
PLUG 3.0MM<sup>2</sup> WIRES WR-TBL

WERI PART NO: 691 353 500 0xx

SIZE

**A4**

G				APPROVAL: RJ UNIT: MM SCALE: SHEET: 2/2 DRAW: MARVIN	DESCRIPTION: SERIE 353 - 5.08MM SCREWLESS VERTICAL CABLE ENTRY PLUG 3.0MM <sup>2</sup> WIRES WR-TBL WERI PART NO: 691 353 500 0xx	SIZE <b>A4</b>
F						
E						
D						
C						
B						
A						
REV	DATE	FILE	BY			