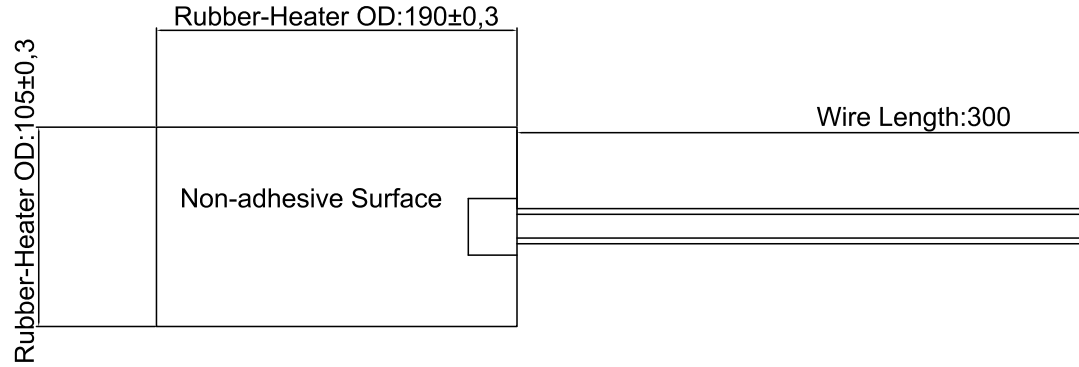


Ver.	Modify No.	Details	Area	P.I.C	Date



Technical Datasheet:

1. Rubber-Heater Size: 190mm*105mm*1.8mm
2. Rubber-Heater Power/Voltage: 12V / 40W
3. Wire Length: 300mm

Part No.		BTP-RH17.3 190x105			
Product Name:		Drawing No.	RH190x105221014		
190x105mm Rubber-Heater		Project Code.	RH190x105		
Designed by:	Curry.Wang	Business Unit:	Period Mark	View Angle	Ratio
Checked by:	Betty.Fu	SNT-BTP	A		1:1
Approved by:	Cale.Chen				
Workmanship:	Jin.Yu	BOM Code	0.21.173.00.0000	Page 1	Total 1 Page
Standardization:	Link.Chen	Product Series	BTP-ACC		
Released by:	Rocky.Liu				