

## Data sheet

### E-DAT Industry terminal rail TS35 + E-DAT Industry USB A 2.0 coupler insert

Page 1/4

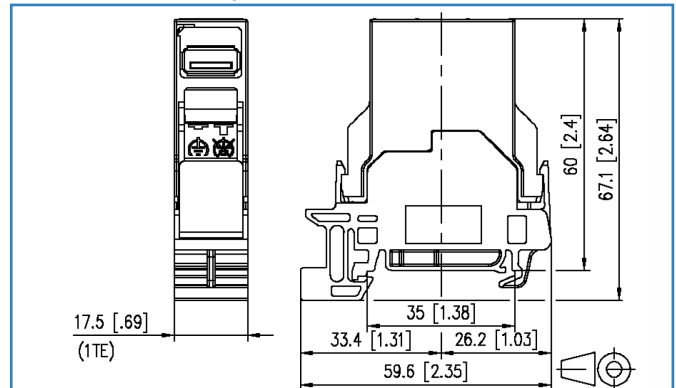
P/N  
1401U06113KE  
EAN 4250184119074

2018-26-02

## Illustrations



Dimensional drawing



See enlarged drawings at the end of document

## Product specification

- termination unit for mounting on TH35 rails to DIN EN 60715 in electrical distribution panels for home and industrial installations
- equipped with USB-A coupler
- USB 2.0
- vertical plugging direction, 90° to rail
- width of 1HP allows mounting up to 12 units in a standard electrical distribution panel

## Data sheet

Page 2/4

### E-DAT Industry terminal rail TS35 + E-DAT Industry USB A 2.0 coupler insert

P/N  
1401U06113KE  
EAN 4250184119074

2018-26-02

## Technical Data

### General Data

Fields of application	Office
Design	Wall outlet
Mounting style	Standard rail TH35
Transmission technology	Copper
Color	light gray
Dimensions	
Dimension (L x W x H)	59.60 x 17.50 x 67.10 mm
Dimension (L x W x H)	2.346 x 0.689 x 2.642 in.
Horizontal pitch	1HP
Installation depth	60.00 mm
Installation depth	2.362 in.
Installation Height	34.00 mm
Installation Height	1.339 in.

### Connections/interfaces

Connector technology interface 1	USB coupler type A
Connector technology interface 2	USB coupler type A
Number of ports interface 1	1
Number of ports interface 2	1
Number of equipped ports interface 1	1
Number of ports interface 2 equipped	1
Module plug-in direction	vertical

### Environmental conditions

Temperature (min. - max.)	
Temperature - Storage °C	-40 - 70 °C
Temperature - Storage °F	-40 - 158 °F
Temperature - Operating °C	-40 - 70 °C
Temperature - Operating °F	-40 - 158 °F
Particulate ingress	IP2X
Liquid ingress/immersion	IPX0

Data sheet

Page 3/4

## E-DAT Industry terminal rail TS35 + E-DAT Industry USB A 2.0 coupler insert

P/N  
1401U06113KE  
EAN 4250184119074

2018-26-02

### Technical Data

#### Certifications

RoHS compliant

#### The product meets the following standards

Dimensions of low-voltage switchgear and controlgear	DIN EN 60715
Mechanical fastening of electrical devices in switchgears	DIN EN 60715

#### Classifications

ETIM 5.0	EC001024
ETIM 6.0	EC001024

#### Packing details

Type of packaging	10 pc(s) / box
Packaging unit - Weight (gram)	330.00 g
Packaging unit - Weight (pound)	0.73 lb
Packaging dimension (W x H x D)	250.00 x 105.00 x 89.00 mm
Packaging dimension (W x H x D)	9.843 x 4.134 x 3.504 in.



Data sheet

Page 4/4

**E-DAT Industry terminal rail TS35  
+ E-DAT Industry USB A 2.0 coupler insert**

P/N  
1401U06113KE  
EAN 4250184119074

2018-26-02

**Illustrations**

Dimensional drawing

