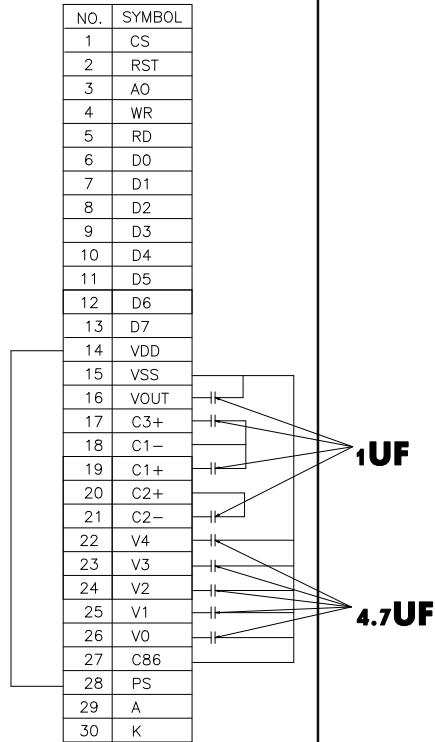
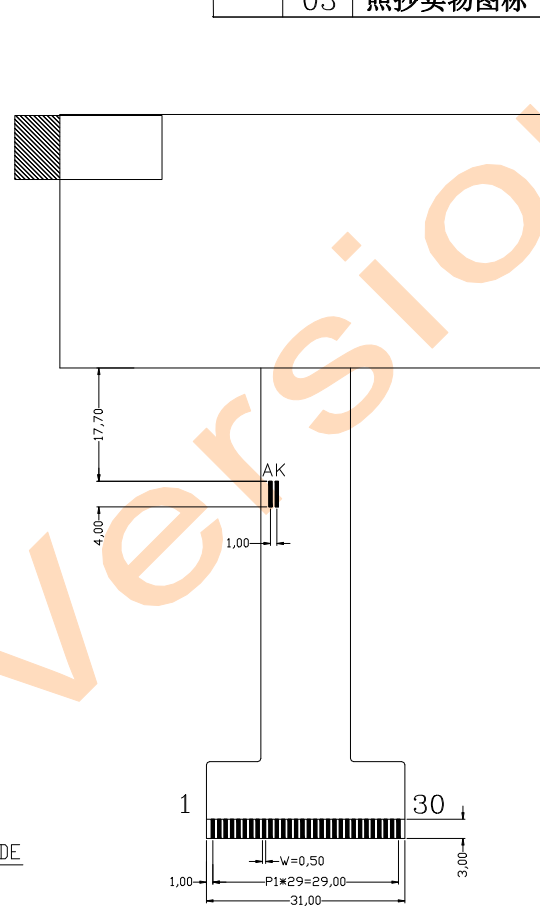
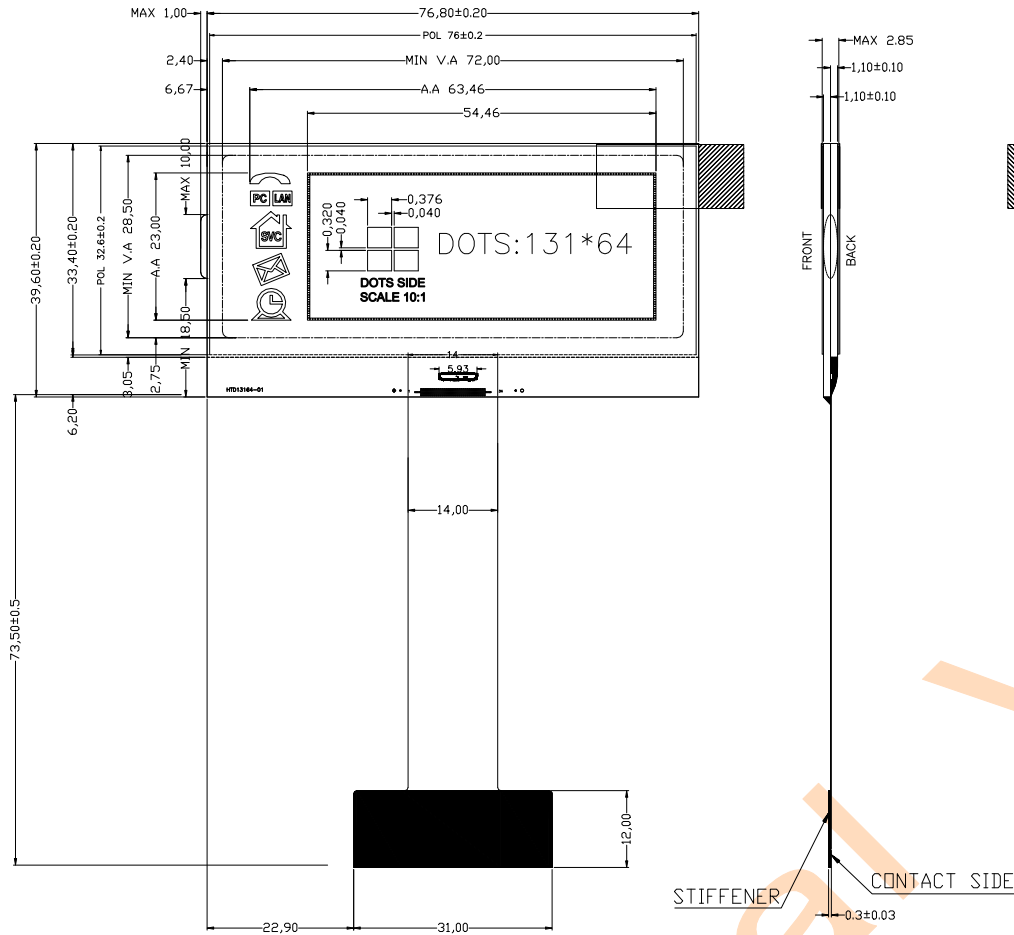


SYM	REV	DESCRIPTION	DATE
	01	First issue	Feb-27-2018
	02	更改VA区域大小	Feb-28-2018
	03	照抄实物图标	Mar-13-2018



SPECIFICATIONS

DISPLAY MODE : FSTN, POSITIVE MODE
 DRIVE CONDITION : 1/65 DUTY 1/9 BIAS
 VIEWING DIRECTION : 6 O'CLOCK
 OPERATING TEMP : -20°C TO +70°C
 STORAGE TEMP : -30°C TO +80°C
 OPERATING VOLTAGE: 9.0 V VDD=3.0V
 FRAME FREQUENCY: 64 Hz
 FRONT POLARIZER : TRANSMISSIVE, ADHESIVE
 BACK POLARIZER : TRANSFLECTIVE, ADHESIVE
 CUSTOMER NO.:
 CONNECTORS : COG/FPC(IC:ST7565R)

TITLE:	COG	
Draw:	WPY	MODEL: HTD13164-01
Chk:	UNIT: mm	DWG NO: LF-03
Apv:	SCALE:	GENERAL TOL: ±0.2
		SHEET NO: 1/1

