

## Powered-off Protection, 1 Ω, 1.8 V to 5.5 V, SPDT Analog Switch (2:1 Multiplexer)

### DESCRIPTION

The DG2012E is a high performance single-pole, double-throw (SPDT) analog switch designed for 1.8 V to 5.5 V operation with a single power rail.

Fabricated with high density CMOS technology, the device achieves low on resistance of 1 Ω at a 5 V power supply, low power consumption, and fast switching speeds.

The DG2012E can handle both analog and digital signals and permits signals with amplitudes of up to V<sub>+</sub> to be transmitted in either direction. Its control logic inputs can go over V<sub>+</sub> up to 5.5 V. It features break before make switching performance. Its -3 dB bandwidth is typically 160 MHz.

A powered-off protection circuit is built into the switch to prevent an abnormal current flow from COM pin to V<sub>+</sub> during the power-down condition. Each output pin can withstand greater than 7 kV (human body model).

Operation temperature is specified from -40 °C to +85 °C. The DG2012E is available in SC-70-6L package.

### FEATURES

- Low switch on-resistance (1 Ω)
- 1.65 V to 5.5 V single supply operation
- Isolation in powered-off mode
- Control logic inputs can go over V<sub>+</sub>
- Low charge injection (5 pC)
- Low total harmonic distortion
- Break before make switching
- Latch-up performance exceeds 300 mA per JESD 78
  - 7000 V human body model (JS-001)
  - 1000 V charge device model (JS-002)
- ESD tested
- Material categorization: for definitions of compliance please see [www.vishay.com/doc?99912](http://www.vishay.com/doc?99912)



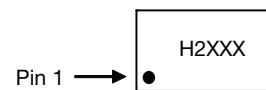
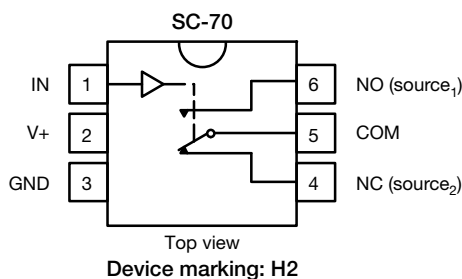
### Note

\* This datasheet provides information about parts that are RoHS-compliant and / or parts that are non RoHS-compliant. For example, parts with lead (Pb) terminations are not RoHS-compliant. Please see the information / tables in this datasheet for details

### APPLICATIONS

- Smartphones and tablets
- Consumer and computing
- Portable instrumentation
- Medical equipment

### FUNCTIONAL BLOCK DIAGRAM AND PIN CONFIGURATION



Device marking: H2XXX  
XXX = date / lot traceability code

TRUTH TABLE		
LOGIC	NC	NO
0	On	Off
1	Off	On

ORDERING INFORMATION		
TEMP. RANGE	PACKAGE	PART NUMBER
-40 °C to +85 °C	SC-70-6	DG2012EDL-T1-GE3



ABSOLUTE MAXIMUM RATINGS			
PARAMETER			UNIT
V+, COM, NC, NO, IN reference to GND			V
Continuous current (NO, NC, and COM pins)			mA
Peak current (pulsed at 1 ms, 10 % duty cycle)			
Storage temperature (D suffix)			°C
Power dissipation (packages) <sup>a</sup>	6-pin SO-70 <sup>b</sup>	250	mW
ESD / HBM	JS-001	7000	V
ESD / CDM	JS-002	1000	
Latch up	Per JEDEC78 with 1.5 x voltage clamp	300	mA

**Notes**

- a. All leads welded or soldered to PC board
- b. Derate 3.1 mW/°C above 70 °C

Stresses beyond those listed under "Absolute Maximum Ratings" may cause permanent damage to the device. These are stress ratings only, and functional operation of the device at these or any other conditions beyond those indicated in the operational sections of the specifications is not implied. Exposure to absolute maximum rating conditions for extended periods may affect device reliability.

SPECIFICATIONS (V+ = 5 V)							
PARAMETER	SYMBOL	TEST CONDITIONS UNLESS OTHERWISE SPECIFIED V+ = 5 V, ± 10 %, V <sub>IN</sub> = 0.8 V or 2.4 V <sup>e</sup>	TEMP. <sup>a</sup>	LIMITS -40 °C to +85 °C			UNIT
				MIN. <sup>b</sup>	TYP. <sup>c</sup>	MAX. <sup>b</sup>	
<b>Analog Switch</b>							
Analog signal range <sup>d</sup>	V <sub>NO</sub> , V <sub>NC</sub> V <sub>COM</sub>		Full	0	-	V+	V
On-resistance	R <sub>ON</sub>	V+ = 4.5 V, V <sub>COM</sub> = 0.5 V / 2.5 V, I <sub>NO</sub> , I <sub>NC</sub> = 10 mA	Room Full <sup>d</sup>	- -	1 -	1.6 2	Ω
R <sub>ON</sub> flatness <sup>d</sup>	R <sub>ON</sub> flatness	V+ = 4.5 V, V <sub>COM</sub> = 0 V to V+, I <sub>NO</sub> , I <sub>NC</sub> = 10 mA	Room	-	0.2	0.5	
R <sub>ON</sub> match <sup>d</sup>	ΔR <sub>ON</sub>		Room	-	-	0.3	
Switch off leakage current <sup>f</sup>	I <sub>NO(off)</sub> I <sub>NC(off)</sub>	V+ = 5 V V <sub>NO</sub> , V <sub>NC</sub> = 0.5 V / 4.5 V, V <sub>COM</sub> = 4.5 V / 0.5 V	Room Full	-5 -20	- -	5 20	nA
	I <sub>COM(off)</sub>		Room Full <sup>d</sup>	-5 -20	- -	5 20	
Channel-on leakage current <sup>f</sup>	I <sub>COM(on)</sub>	V+ = 5 V, V <sub>NO</sub> , V <sub>NC</sub> = V <sub>COM</sub> = 0.5 V / 4.5 V	Room Full <sup>d</sup>	-5 -20	- -	5 20	
Power down leakage	I <sub>COM(PD)</sub>	V+ = 0 V, V <sub>COM</sub> = 4.5 V, V <sub>IN</sub> = GND	Full <sup>d</sup>	-1	-	1	
<b>Digital Control</b>							
Input high voltage	V <sub>INH</sub>		Full	2.4	-	-	V
Input low voltage	V <sub>INL</sub>		Full	-	-	0.8	
Input capacitance <sup>d</sup>	C <sub>IN</sub>		Full	-	3	-	pF
Input current <sup>f</sup>	I <sub>INL</sub> or I <sub>INH</sub>	V <sub>IN</sub> = 0 V or V+	Full	-1	-	1	μA
<b>Dynamic Characteristics</b>							
Turn-on time <sup>d</sup>	t <sub>ON</sub>	V <sub>NO</sub> or V <sub>NC</sub> = 3 V, R <sub>L</sub> = 300 Ω, C <sub>L</sub> = 35 pF	Room	-	15	32	ns
			Full <sup>d</sup>	-	-	35	
Turn-off time <sup>d</sup>	t <sub>OFF</sub>		Room	-	7	28	
			Full <sup>d</sup>	-	-	30	
Break-before-make time <sup>d</sup>	t <sub>d</sub>		Room	1	5	-	
Charge injection <sup>d</sup>	Q <sub>INJ</sub>	C <sub>L</sub> = 1 nF, V <sub>GEN</sub> = 0 V, R <sub>GEN</sub> = 0 Ω	Room	-	8	-	pC
Off-isolation <sup>d</sup>	OIRR	R <sub>L</sub> = 50 Ω, C <sub>L</sub> = 5 pF, f = 1 MHz	Room	-	-63	-	dB
Crosstalk <sup>d</sup>	X <sub>TALK</sub>		Room	-	-63	-	
No, N <sub>C</sub> off capacitance <sup>d</sup>	C <sub>NO(off)</sub> C <sub>NC(off)</sub>	V <sub>IN</sub> = 0 V or V+, f = 1 MHz	Room	-	16	-	pF
Channel-on capacitance <sup>d</sup>	C <sub>ON</sub>		Room	-	52	-	
<b>Power Supply</b>							
Power supply current	I+	V <sub>IN</sub> = 0 V or V+	Full	-	0.0003	1	μA



SPECIFICATIONS ( $V_+ = 3\text{ V}$ )									
PARAMETER	SYMBOL	TEST CONDITIONS UNLESS OTHERWISE SPECIFIED $V_+ = 3\text{ V}, \pm 10\%, V_{IN} = 0.4\text{ V or }1.4\text{ V}^e$	TEMP. <sup>a</sup>	LIMITS -40 °C to 85 °C			UNIT		
				MIN. <sup>b</sup>	TYP. <sup>c</sup>	MAX. <sup>b</sup>			
<b>Analog Switch</b>									
Analog signal range <sup>d</sup>	$V_{NO}, V_{NC}$ $V_{COM}$		Full	0	-	$V_+$	V		
On-resistance	$R_{ON}$	$V_+ = 2.7\text{ V},$ $V_{COM} = 0.2\text{ V} / 1.5\text{ V}, I_{NO}, I_{NC} = 10\text{ mA}$	Room Full <sup>d</sup>	- -	1.4 -	2.5 3	$\Omega$		
$R_{ON}$ flatness <sup>d</sup>	$R_{ON}$ flatness	$V_+ = 2.7\text{ V},$ $V_{COM} = 0\text{ V to }V_+, I_{NO}, I_{NC} = 10\text{ mA}$	Room	-	0.6	0.9			
$R_{ON}$ match <sup>d</sup>	$\Delta R_{ON}$		Room	-	-	0.3			
Switch off leakage current <sup>f</sup>	$I_{NO(off)}$ $I_{NC(off)}$	$V_+ = 3.3\text{ V}$ $V_{NO}, V_{NC} = 1\text{ V} / 3\text{ V}, V_{COM} = 3\text{ V} / 1\text{ V}$	Room	-5	-	5	nA		
			Full <sup>d</sup>	-15	-	15			
	$I_{COM(off)}$		Room	-5	-	5			
			Full <sup>d</sup>	-15	-	15			
Channel-on leakage current <sup>f</sup>	$I_{COM(on)}$	$V_+ = 3.3\text{ V},$ $V_{NO}, V_{NC} = V_{COM} = 1\text{ V} / 3\text{ V}$	Room Full <sup>d</sup>	-5 -15	- -	5 15			
<b>Digital Control</b>									
Input high voltage	$V_{INH}$		Full	1.4	-	-	V		
Input low voltage	$V_{INL}$		Full	-	-	0.4			
Input capacitance <sup>d</sup>	$C_{IN}$		Full	-	3	-	pF		
Input current <sup>f</sup>	$I_{INL}$ or $I_{INH}$	$V_{IN} = 0\text{ V or }V_+$	Full	-1	-	1	$\mu\text{A}$		
<b>Dynamic Characteristics</b>									
Turn-on time <sup>d</sup>	$t_{ON}$	$V_{NO}$ or $V_{NC} = 2\text{ V},$ $R_L = 300\ \Omega, C_L = 35\text{ pF}$	Room	-	21	42	ns		
			Full <sup>d</sup>	-	-	47			
Turn-off time <sup>d</sup>	$t_{OFF}$		Room	-	16	32			
			Full <sup>d</sup>	-	-	35			
Break-before-make time <sup>d</sup>	$t_d$		Room	1	7	-			
Charge injection <sup>d</sup>	$Q_{INJ}$		$C_L = 1\text{ nF}, V_{GEN} = 0\text{ V}, R_{GEN} = 0\ \Omega$	Room	-	6		-	pC
Off-isolation <sup>d</sup>	OIRR		$R_L = 50\ \Omega, C_L = 5\text{ pF}, f = 1\text{ MHz}$	Room	-	-63		-	dB
Crosstalk <sup>d</sup>	$X_{TALK}$			Room	-	-63		-	
Bandwidth <sup>d</sup>	BW		Room	-	160	-	MHz		
$N_O, N_C$ off capacitance <sup>d</sup>	$C_{NO(off)}$ $C_{NC(off)}$	$V_{IN} = 0\text{ V or }V_+, f = 1\text{ MHz}$	Room	-	16	-	pF		
			Room	-	52	-			
<b>Power Supply</b>									
Power supply current	$I_+$	$V_{IN} = 0\text{ V or }V_+$	Full	-	0.00002	1	$\mu\text{A}$		



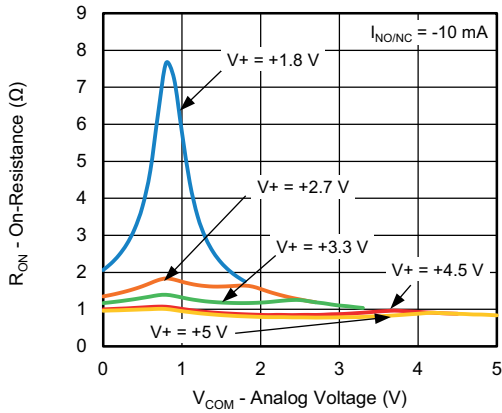
SPECIFICATIONS (V <sub>+</sub> = 2 V)								
PARAMETER	SYMBOL	TEST CONDITIONS UNLESS OTHERWISE SPECIFIED V <sub>+</sub> = 2 V, ± 10 %, V <sub>IN</sub> = 0.4 V or 1.6 V <sup>e</sup>	TEMP. <sup>a</sup>	LIMITS -40 °C to +85 °C			UNIT	
				MIN. <sup>b</sup>	TYP. <sup>c</sup>	MAX. <sup>b</sup>		
<b>Analog Switch</b>								
Analog signal range <sup>d</sup>	V <sub>NO</sub> , V <sub>NC</sub> , V <sub>COM</sub>		Full	0	-	V <sub>+</sub>	V	
On-resistance	R <sub>ON</sub>	V <sub>+</sub> = 1.8 V, V <sub>COM</sub> = 0.2 V / 0.9 V I <sub>NO</sub> , I <sub>NC</sub> = 10 mA	Room	-	5	10	Ω	
			Full <sup>d</sup>	-	-	15		
R <sub>ON</sub> flatness <sup>d</sup>	R <sub>ON</sub> flatness	V <sub>+</sub> = 1.8 V, V <sub>COM</sub> = 0 V to V <sub>+</sub> , I <sub>NO</sub> , I <sub>NC</sub> = 10 mA	Room	-	6	9	Ω	
R <sub>ON</sub> match <sup>d</sup>	ΔR <sub>ON</sub>		Room	-	-	0.3		
Switch off leakage current <sup>f</sup>	I <sub>NO(off)</sub> I <sub>NC(off)</sub>	V <sub>+</sub> = 2.2 V V <sub>NO</sub> , V <sub>NC</sub> = 0.5 V / 1.5 V, V <sub>COM</sub> = 1.5 V / 0.5 V	Room	-0.5	-	0.5	nA	
			Full	-5	-	5		
	Room		-0.5	-	0.5			
	Full <sup>d</sup>		-5	-	5			
Channel-on leakage current <sup>f</sup>	I <sub>COM(on)</sub>	V <sub>+</sub> = 2.2 V, V <sub>NO</sub> , V <sub>NC</sub> = V <sub>COM</sub> = 0.5 V / 1.5 V	Room	-0.5	-	0.5	nA	
			Full <sup>d</sup>	-5	-	5		
<b>Digital Control</b>								
Input high voltage	V <sub>INH</sub>		Full	1.6	-	-	V	
Input low voltage	V <sub>INL</sub>		Full	-	-	0.4		
Input capacitance <sup>d</sup>	C <sub>IN</sub>		Full	-	3	-	pF	
Input current <sup>f</sup>	I <sub>INL</sub> or I <sub>INH</sub>	V <sub>IN</sub> = 0 V or V <sub>+</sub>	Full	-1	-	1	μA	
<b>Dynamic Characteristics</b>								
Turn-on time <sup>d</sup>	t <sub>ON</sub>	V <sub>NO</sub> or V <sub>NC</sub> = 1.5 V, R <sub>L</sub> = 300 Ω, C <sub>L</sub> = 35 pF	Room	-	37	57	ns	
			Full <sup>d</sup>	-	-	60		
Turn-off time <sup>d</sup>	t <sub>OFF</sub>		Room	-	26	44		
			Full <sup>d</sup>	-	-	45		
Break-before-make time <sup>d</sup>	t <sub>d</sub>			Room	1	17		-
Charge injection <sup>d</sup>	Q <sub>INJ</sub>		C <sub>L</sub> = 1 nF, V <sub>GEN</sub> = 0 V, R <sub>GEN</sub> = 0 Ω	Room	-	21		-
Off-isolation <sup>d</sup>	OIRR	R <sub>L</sub> = 50 Ω, C <sub>L</sub> = 5 pF, f = 1 MHz	Room	-	-63	-	dB	
Crosstalk <sup>d</sup>	X <sub>TALK</sub>		Room	-	-63	-		
N <sub>O</sub> , N <sub>C</sub> off capacitance <sup>d</sup>	C <sub>NO(off)</sub> C <sub>NC(off)</sub>	V <sub>IN</sub> = 0 V or V <sub>+</sub> , f = 1 MHz	Room	-	16	-	pF	
			Room	-	51	-		
<b>Power Supply</b>								
Power supply current	I <sub>+</sub>	V <sub>IN</sub> = 0 V or V <sub>+</sub>	Full	-	0.00001	1	μA	

**Notes**

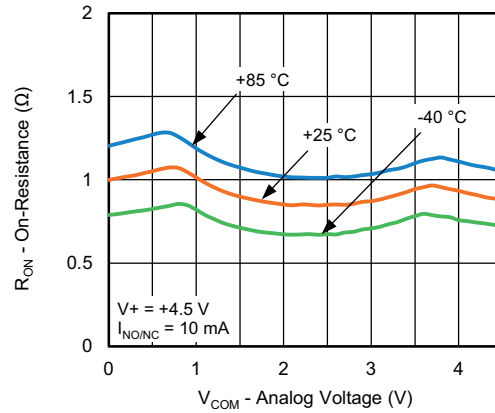
- a. Room = 25 °C, full = as determined by the operating suffix
- b. The algebraic convention whereby the most negative value is a minimum and the most positive a maximum, is used in this datasheet
- c. Typical values are for design aid only, not guaranteed nor subject to production testing
- d. Guarantee by design, nor subjected to production test
- e. V<sub>IN</sub> = input voltage to perform proper function
- f. Guaranteed by 5 V leakage testing, not production tested



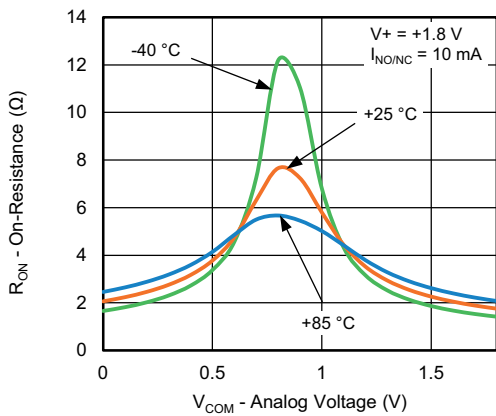
TYPICAL CHARACTERISTICS (25 °C, unless otherwise noted)



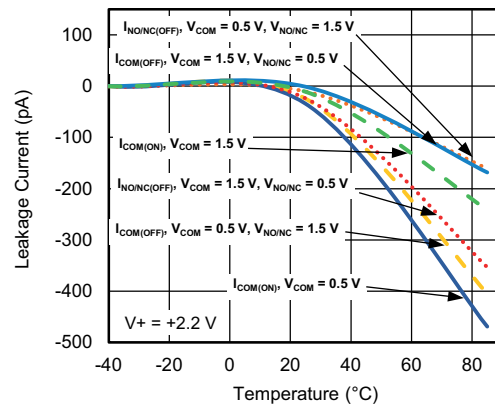
RON vs. VCOM and Supply Voltage



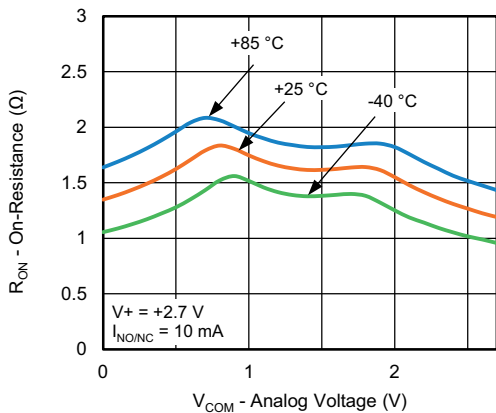
RON vs. VCOM and Temperature



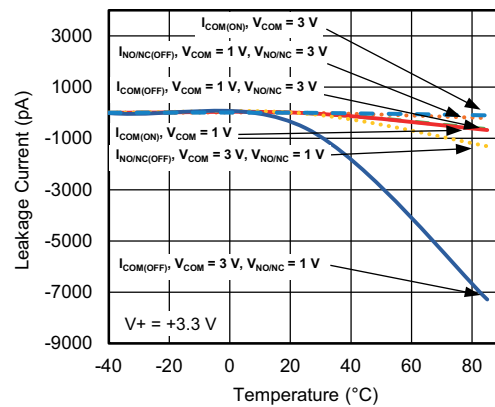
RON vs. VCOM and Temperature



Leakage Current vs. Temperature

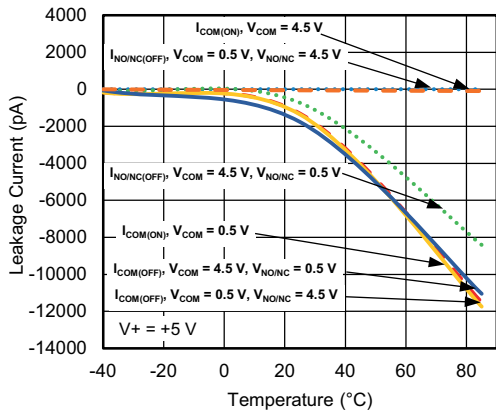


RON vs. VCOM and Temperature

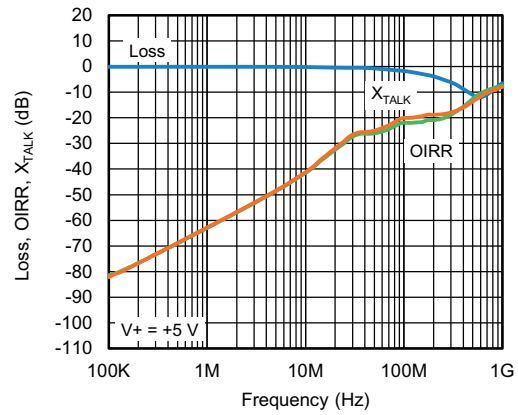


Leakage Current vs. Temperature

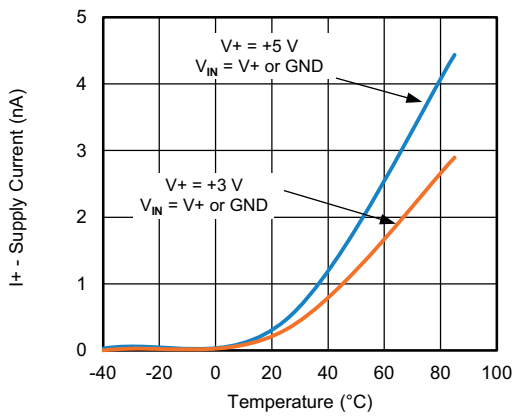
**TYPICAL CHARACTERISTICS** (25 °C, unless otherwise noted)



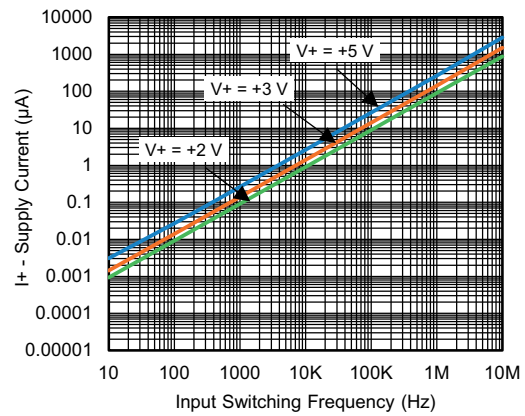
**Leakage Current vs. Temperature**



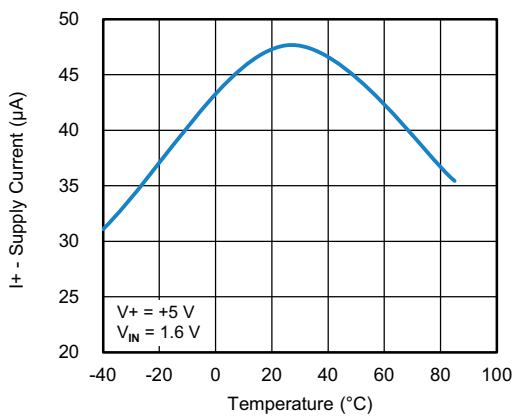
**Insertion Loss, Off-Isolation Crosstalk vs. Frequency**



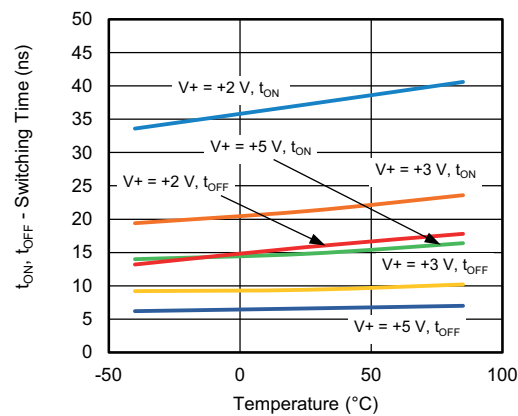
**Supply Current vs. Temperature**



**Supply Current vs. Input Switching Frequency**

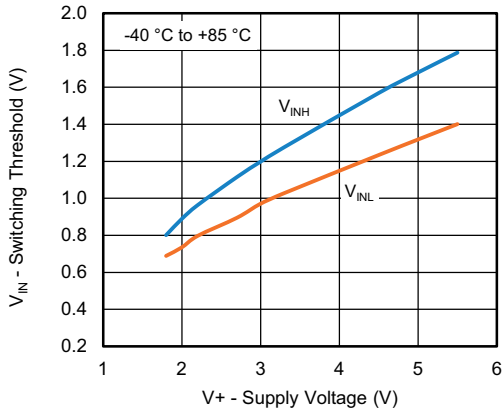


**Supply Current vs. Temperature**

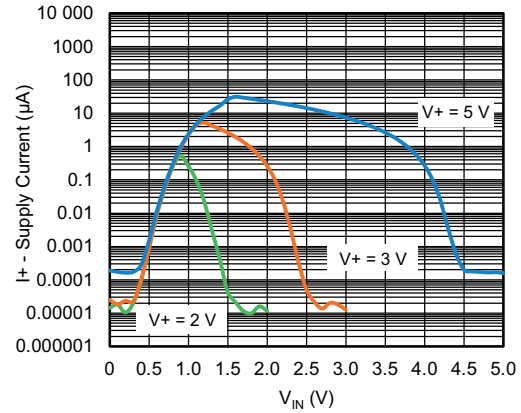


**Switching Time vs. Temperature and Supply Voltage**

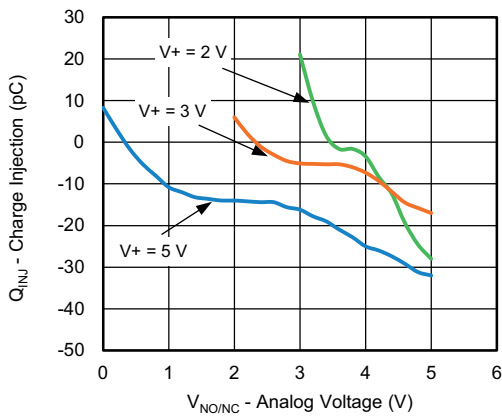
**TYPICAL CHARACTERISTICS** (25 °C, unless otherwise noted)



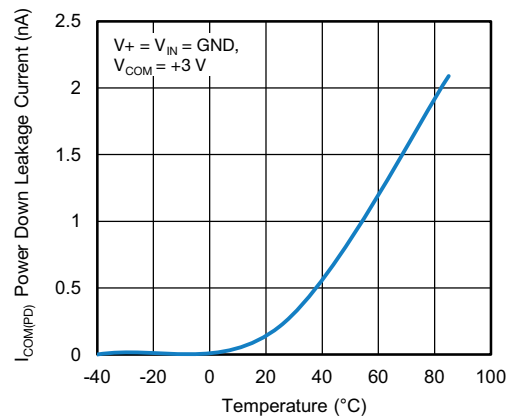
**Switching Threshold vs. Supply Voltage**



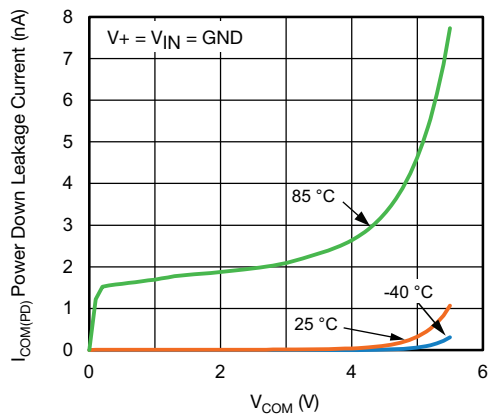
**Supply Current vs. Enable Input Voltage**



**Charge Injection vs. Analog Voltage**

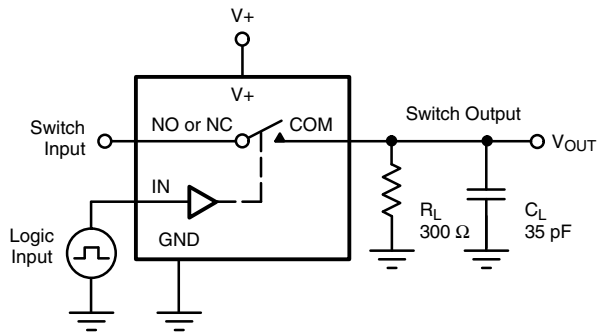


**Power Down Leakage Current vs. Temperature**



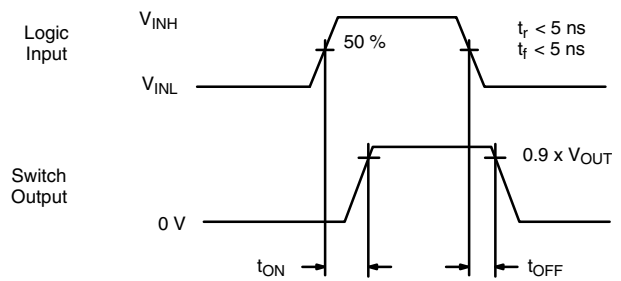
**Power Down Leakage Current vs. V<sub>COM</sub>**

**TEST CIRCUITS**



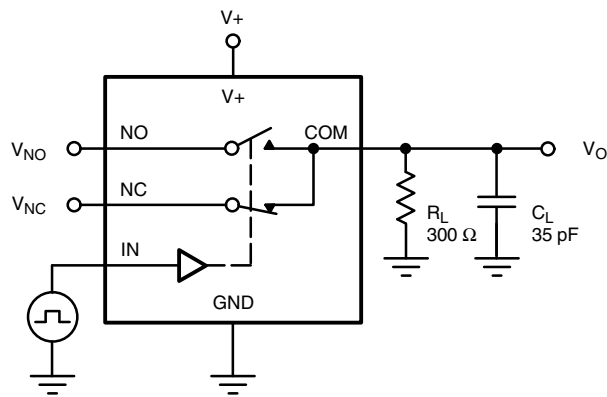
$C_L$  (includes fixture and stray capacitance)

$$V_{OUT} = V_{COM} \left( \frac{R_L}{R_L + R_{ON}} \right)$$

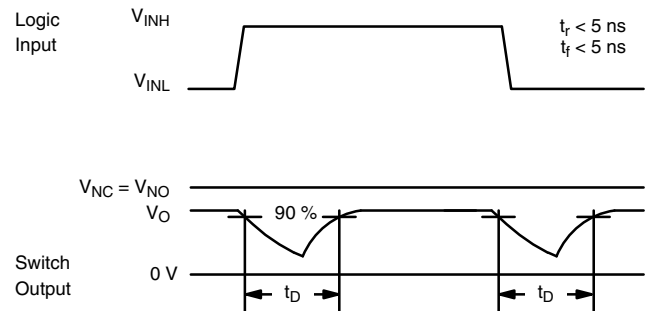


Logic "1" = Switch On  
Logic input waveforms inverted for switches that have the opposite logic sense.

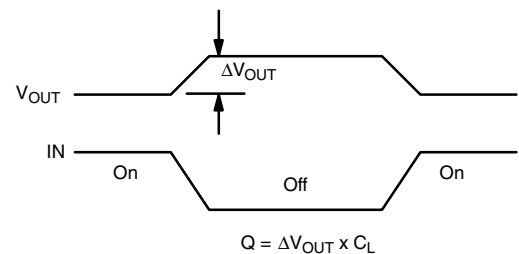
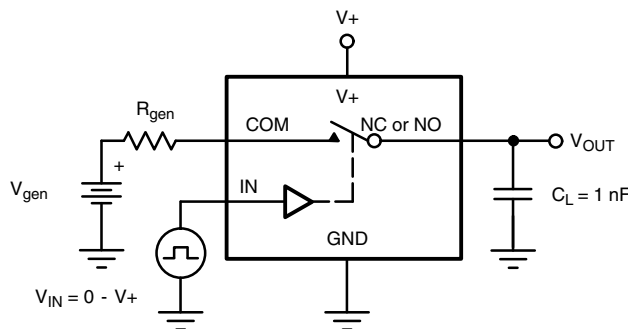
**Fig. 1 - Switching Time**



$C_L$  (includes fixture and stray capacitance)



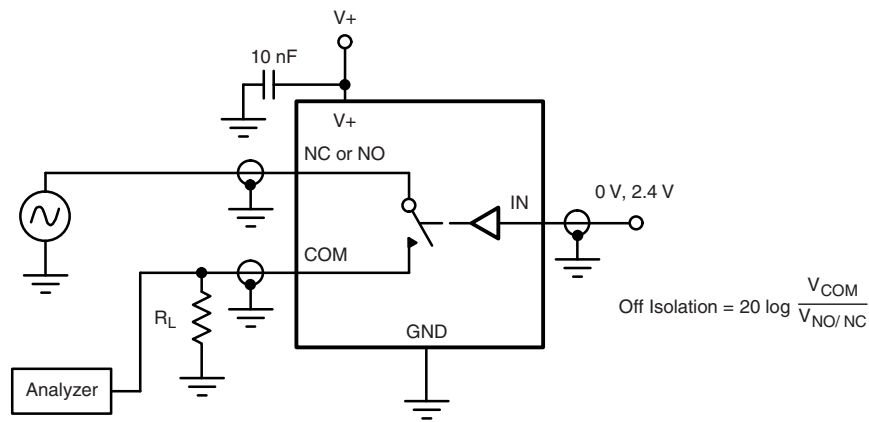
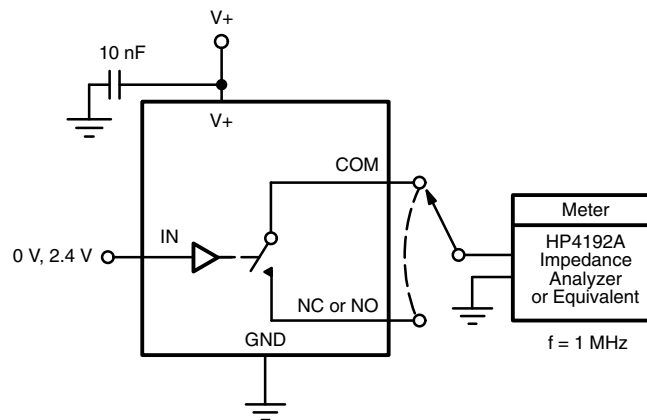
**Fig. 2 - Break-Before-Make Interval**



IN depends on switch configuration: input polarity determined by sense of switch.

**Fig. 3 - Charge Injection**



**TEST CIRCUITS**

**Fig. 4 - Off-Isolation**

**Fig. 5 - Channel Off / On Capacitance**

Vishay Siliconix maintains worldwide manufacturing capability. Products may be manufactured at one of several qualified locations. Reliability data for Silicon Technology and Package Reliability represent a composite of all qualified locations. For related documents such as package / tape drawings, part marking, and reliability data, see [www.vishay.com/ppg?75834](http://www.vishay.com/ppg?75834).



## **Disclaimer**

ALL PRODUCT, PRODUCT SPECIFICATIONS AND DATA ARE SUBJECT TO CHANGE WITHOUT NOTICE TO IMPROVE RELIABILITY, FUNCTION OR DESIGN OR OTHERWISE.

Vishay Intertechnology, Inc., its affiliates, agents, and employees, and all persons acting on its or their behalf (collectively, "Vishay"), disclaim any and all liability for any errors, inaccuracies or incompleteness contained in any datasheet or in any other disclosure relating to any product.

Vishay makes no warranty, representation or guarantee regarding the suitability of the products for any particular purpose or the continuing production of any product. To the maximum extent permitted by applicable law, Vishay disclaims (i) any and all liability arising out of the application or use of any product, (ii) any and all liability, including without limitation special, consequential or incidental damages, and (iii) any and all implied warranties, including warranties of fitness for particular purpose, non-infringement and merchantability.

Statements regarding the suitability of products for certain types of applications are based on Vishay's knowledge of typical requirements that are often placed on Vishay products in generic applications. Such statements are not binding statements about the suitability of products for a particular application. It is the customer's responsibility to validate that a particular product with the properties described in the product specification is suitable for use in a particular application. Parameters provided in datasheets and / or specifications may vary in different applications and performance may vary over time. All operating parameters, including typical parameters, must be validated for each customer application by the customer's technical experts. Product specifications do not expand or otherwise modify Vishay's terms and conditions of purchase, including but not limited to the warranty expressed therein.

Except as expressly indicated in writing, Vishay products are not designed for use in medical, life-saving, or life-sustaining applications or for any other application in which the failure of the Vishay product could result in personal injury or death. Customers using or selling Vishay products not expressly indicated for use in such applications do so at their own risk. Please contact authorized Vishay personnel to obtain written terms and conditions regarding products designed for such applications.

No license, express or implied, by estoppel or otherwise, to any intellectual property rights is granted by this document or by any conduct of Vishay. Product names and markings noted herein may be trademarks of their respective owners.