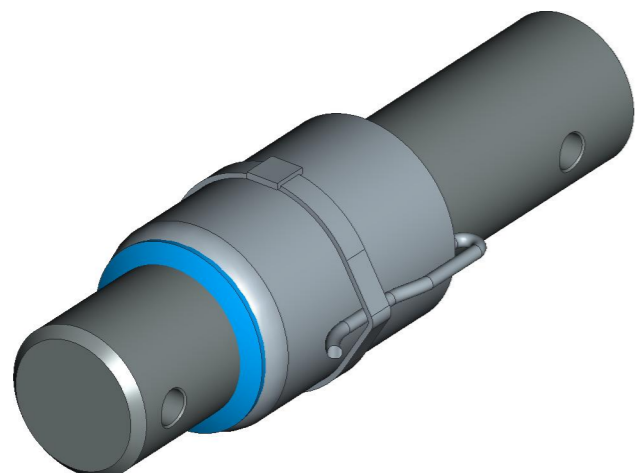
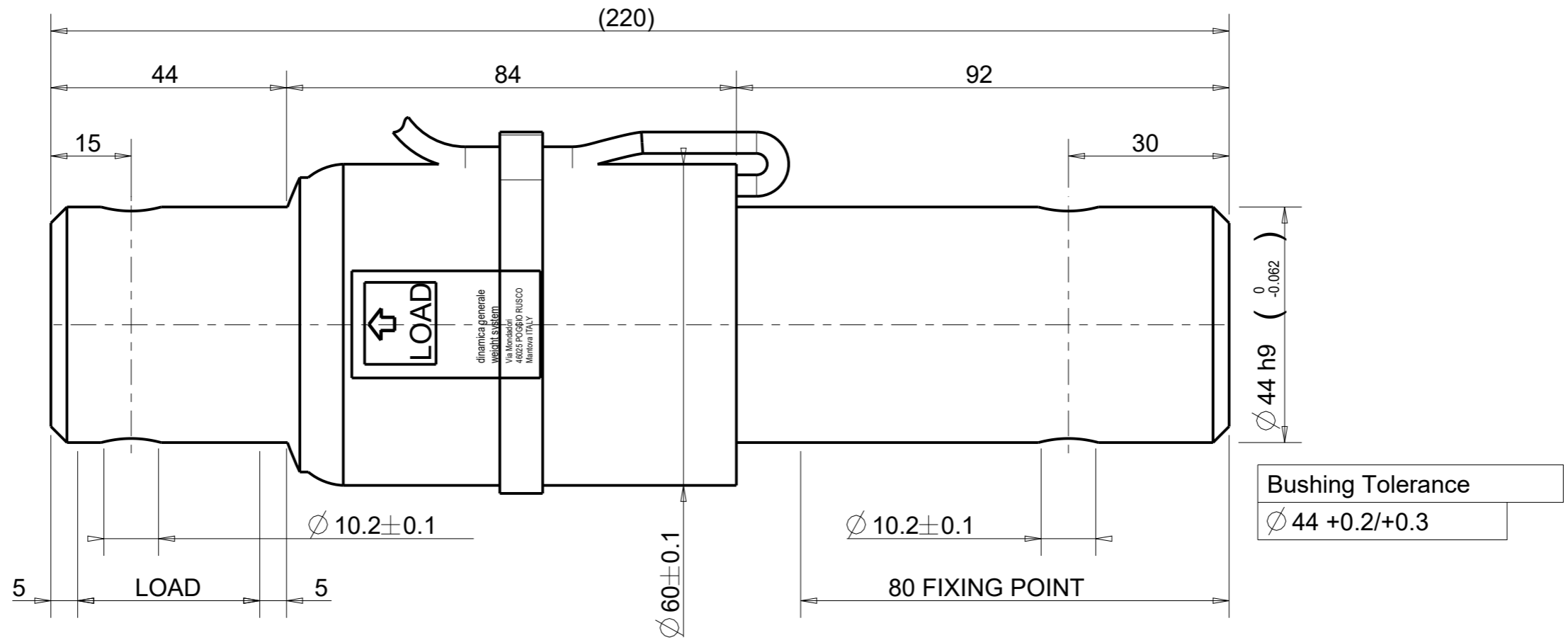


NOTE: Item not painted



INPUT +	RED
INPUT -	BLACK
OUTPUT +	GREEN
OUTPUT -	WHITE

SPECIFICATIONS	STATIC	MOBILE
RATED LOAD (LBS)	11244	7496
RATED LOAD (Kg)	5100	3400
RATED OUTPUT (mV/V)	1.14	0.76

PART CODE	CABLE LENGTH		CABLE TERMINATION
	FT	m	
969-0100	21.3	6.5	ECP

SEE DOCUMENT DGCG01 FOR ADDITIONAL CABLE INFORMATION
SEE DOCUMENT DGMG01 FOR ADDITIONAL MOUNTING GUIDELINES

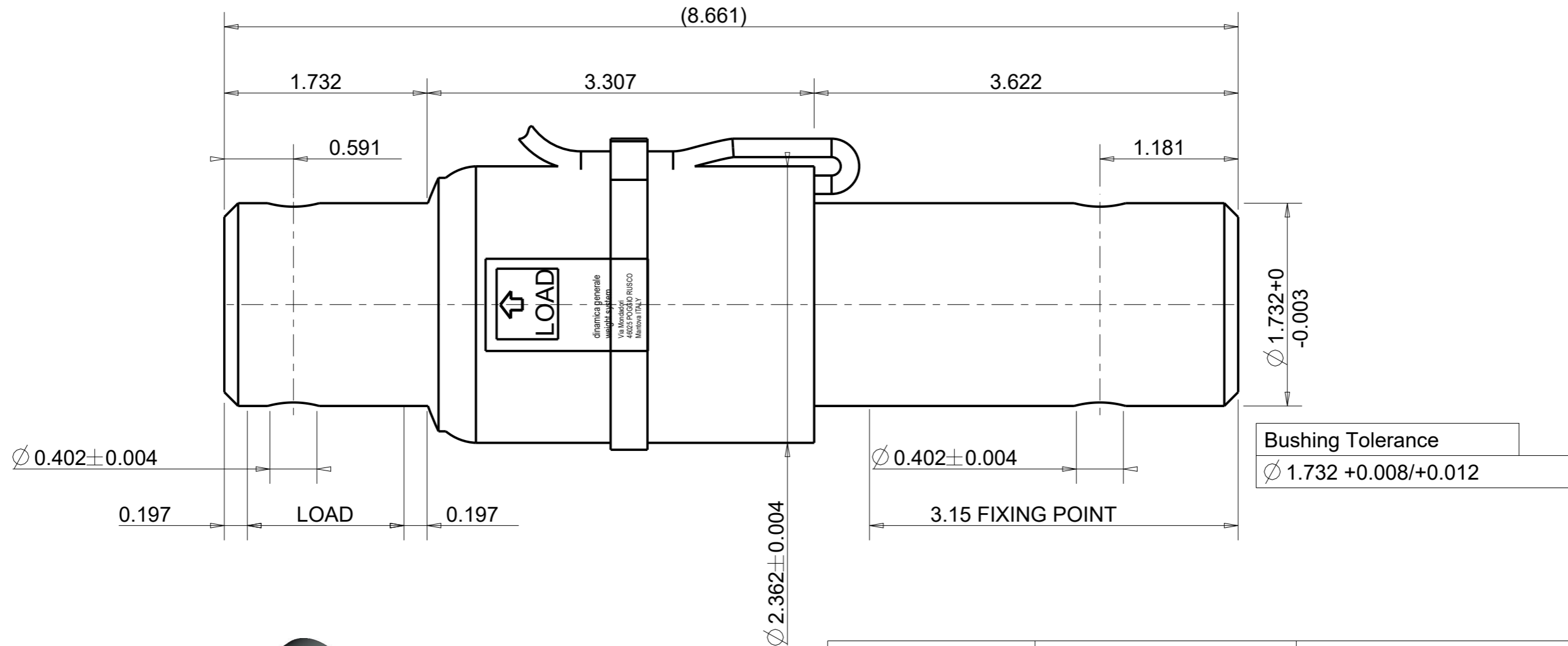
REV.	MOD.N.	DATE	SIGNATURE	DESCRIPTION	SCALE	UNSPECIFIED TOLLERANCES	ROUGHNESS
E	A4	21/11/16	M.B.	Agg. fdm 284-16	A3	1/1	-
D	A3	22/04/14	M.B.	Aggiornato diametro fori			
C	A2	16/01/09	M.B.	Aggiornamento circuito estensimetrico			
B	A1	23/10/08	M.B.	Sostituzione albero 061			
A	A0	27/02/07	M.B.	Emissione disegno			
			*DRAWN	*CHECKED	*APPROVED	UNSPECIFIED TOLLERANCES	
			DATE	27/02/07	27/02/07	27/02/07	± 0.5
			SIGNATURE	M.Bresciani	A.Barbi	A.Barbi	
			WEIGHT [kg]	2.631	*REFER TO ORIGINAL DRAWING IF SIGNATURE ARE PRINTED		
DESCRIPTION							
MOBILE Load Cell DG8960/44 BS C=6.5m + ECP							
CODE						REV.	
969-0100						A4	
THE COPY OF THIS DRAWING MUST BE APPROVED BY DINAMICA GENERALE							

This documents is for reference, dimensions are subject to change.
ALL RIGHTS OF THE PROJECT STRICTLY RESERVED TO DINAMICA GENERALE. REPRODUCTION OR ISSUE TO THIRD PARTIES IN ANY FORM WHATEVER IS, NOT PERMITTED WITHOUT WRITTEN AUTHORIZATION FROM DINAMICA GENERALE

DINAMICA GENERALE
Weight Systems
46025 Poggio Rusco (MN)
Via Mondadori, 15
Tel. ++39 0386.52134
Fax ++39 0386.51523

MEASURES EXPRESSED IN INCHES

NOTE:Item not painted



PART CODE	CABLE LENGHT		CABLE TERMINATION
	FT	m	
969-0100	21.3	6.5	ECP

SEE DOCUMENT DGCG01 FOR ADDITIONAL CABLE INFORMATION
SEE DOCUMENT DGMG01 FOR ADDITIONAL MOUNTING GUIDELINES

INPUT +	RED
INPUT -	BLACK
OUTPUT +	GREEN
OUTPUT -	WHITE

SPECIFICATIONS	STATIC	MOBILE
RATED LOAD (LBS)	11244	7496
RATED LOAD (Kg)	5100	3400
RATED OUTPUT (mV/V)	1.14	0.76

E	A4	21/11/16	M.B.	Agg. fdm 284-16	 A3 SCALE 1/1		
D	A3	22/04/14	M.B.	Aggiornato diametro fori			
C	A2	16/01/09	M.B.	Aggiornamento circuito estensimetrico			
B	A1	23/10/08	M.B.	Sostituzione albero 061			
A	A0	27/02/07	M.B.	Emissione disegno			
REV.	MOD.N.	DATE	SIGNATURE	DESCRIPTION			
			*DRAWN	*CHECKED	*APPROVED	UNSPECIFIED TOLLERANCES	
			DATE	27/02/07	27/02/07	27/02/07	± 0.02
			SIGNATURE	M.Bresciani	A.Barbi	A.Barbi	ROUGHNESS
			WEIGHT [lbs]	5.801		*REFER TO ORIGINAL DRAWING IF SIGNATURE ARE PRINTED	-
			DESCRIPTION	MOBILE Load Cell DG8960/44 BS C=6.5m + ECP			
			CODE	969-0100		REV.	A4
						THE COPY OF THIS DRAWING MUST BE APPROVED BY DINAMICA GENERALE	

This documents is for reference, dimensions are subject to change.

ALL RIGHTS OF THE PROJECT STRICTLY RESERVED TO DINAMICA GENERALE. REPRODUCTION OR ISSUE TO THIRD PARTIES IN ANY FORM WHATEVER IS, NOT PERMITTED WITHOUT WRITTEN AUTHORIZATION FROM DINAMICA GENERALE

DINAMICA GENERALE
Weight Systems
46025 Poggio Rusco (MN)
Via Mondadori, 15
Tel. ++39 0386.52134
Fax ++39 0386.51523