

HR600749A

Electrical Specification @25°C

RoHS Compliant (Pb Free)

Isolation: 1500 Vrms 1mA 60S (Pin1-3 to Pin6-4)

Turns Ratio: Pin6-4 : Pin1-3 = 1.1CT : 1CT ±2%

Pin1-3 Inductance: 1.0mH Min @ 10KHz 100mVrms

Pin1-3 DC Resistance: 0.46 ohms Max

Pin6-4 DC Resistance: 0.48 ohms Max

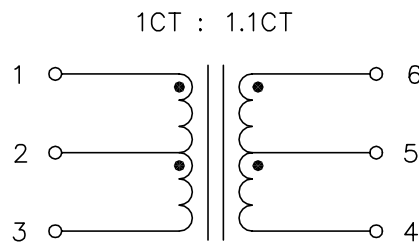
Current Rating: 100 mAac

E-T Product(V-uS): 7 Typ

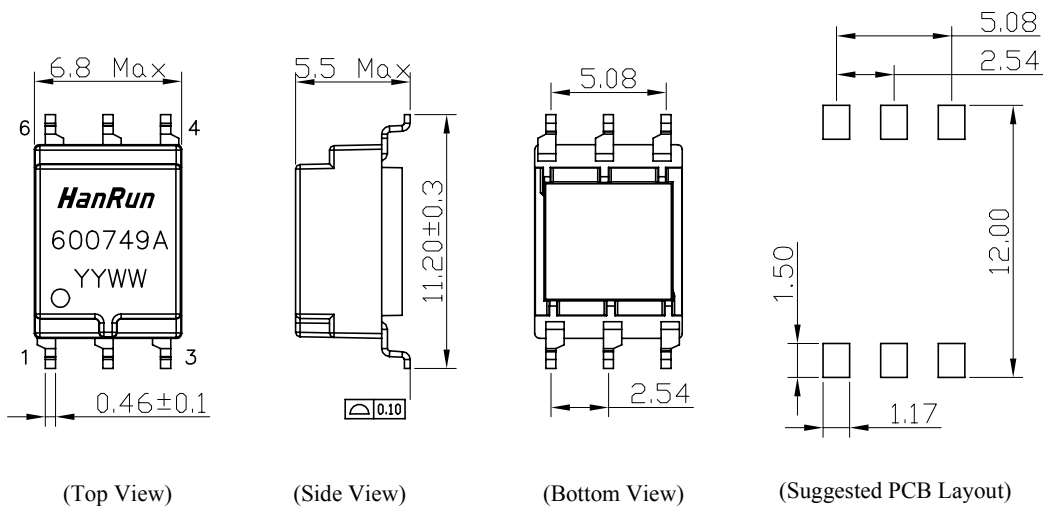
Operating Temperature: -40°C ~ +125°C Including temperature rise

Storage Temperature: -40 ~ +85 °C

Schematics



Mechanical Dimensions



Unless otherwise specified,
Tol.: .xx ± 0.25 (mm)