

F

E

D

C

B

A

F

E

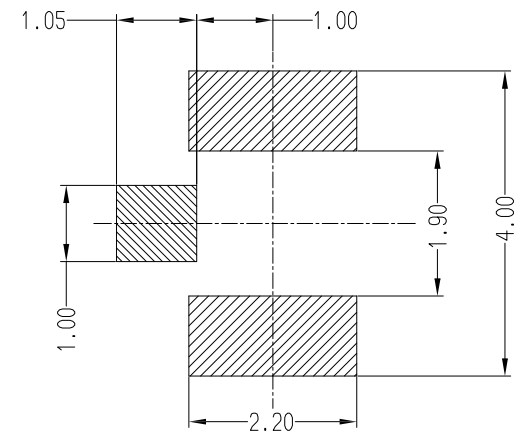
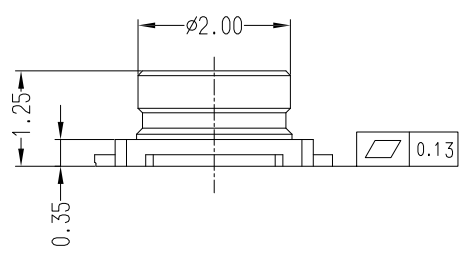
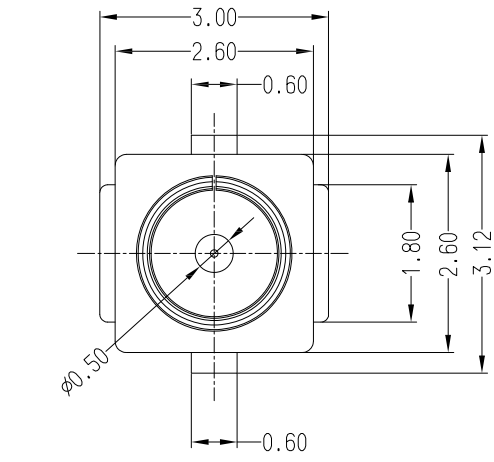
D

C

B

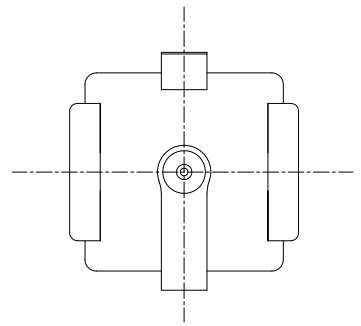
A

REV.	LOCAS.	DESCRIPTION	DATE	DRAWN
A	NEW	INTERIM INITIAL RELEASE.	2022.05.06	钟建虾



 SIGNAL CONTACT    
  GROUND CONTACT

P.C.B DIMENSION (TOP VIEW)  
(TOLERRANCE ±0.05)



NOTES:

- FREQUENCY RANGE:  
DC TO 6GHZ (VSWR: 1.3MAX AT 0.1~3GHZ, 1.4 MAX AT 3~6GHZ)
- CHARACTERISTIC IMPEDANCE: 50Ω(NOMINAL);
- TEMPERATURE: -40° C TO +90° C;
- RATED VOLTAGE : 60VAC;
- CONTACT RESISTANCE :  
20mΩ MAX. (SIGNAL CONTACT)  
20MΩ MAX. OHM MAX. (GROUND CONTACT)
- WITHSTAND VOLTAGE : 200VAC FOR 1 MINUTE MIN;
- INSULATION RESISTANCE : 500MΩ MIN. AT 100VDC;

MATERIAL:

- HOUSING: THERMOPLASTIC,UL94V-0
- CENTER CONTACT : COPPER ALLOY
- GROUND CONTACT: COPPER ALLOY

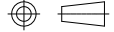
### Ordering Information

G ZZC601-01 XX A 003 C X A X

Standard Plating     Color     Standard Packing  
 02=Gold Flash     5=Beige     D=Tape&Reel  
 Selective Plating  
 05=Gold Flash/Tin



Website: www.greenconn.com  
E-mail: sales@greenconn.com

3RD.ANG PROJ.  
  
 PAGE. 1/1

GENERAL TOLERANCE	
X.*±3.0'	X.±/
.X'±2.0'	.X±0.20
.XX'±1.5'	.XX±0.15
.XXX'±1.0'	.XXX±0.10

DESIGNED: 钟建虾     DATE: 2022.05.06

CHECKED:     DATE:

APPROVED:     DATE:

DWG. NO. GZZC601-CA003

PART NO. GZZC601-01XXA003CXAX

TITLE. RF 1G H TYPE BOARD END

REV.	UNIT.	SCALE.
A	mm	1:1