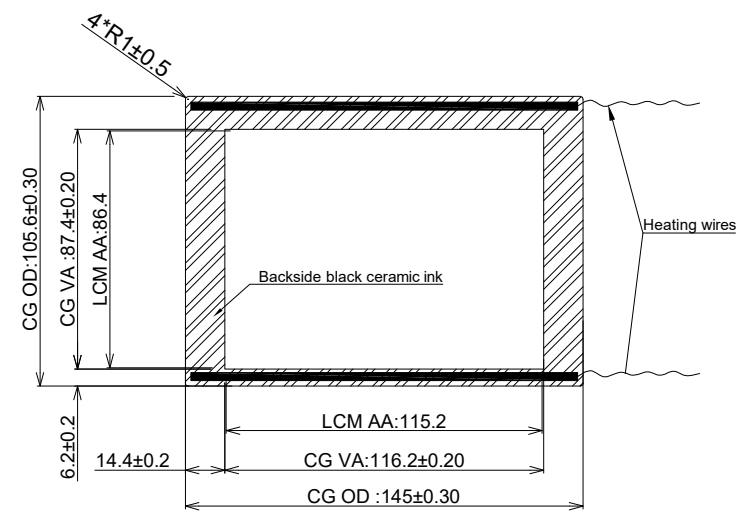
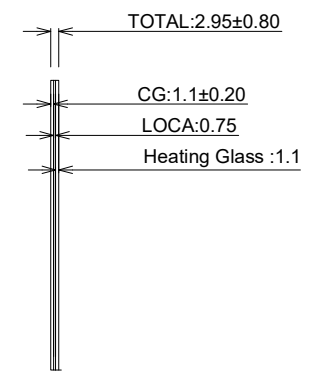


Ver.	modify NO.	Details	Area	P.I.C	Date

# Front View



# Side View



### Technical Datasheet:

1. Structure: Heat Glass
2. Cover Glass: T=3mm,
3. Heating glass voltage: 24V; Power:  $30 \pm 5W$
4. Light transmittance:  $\geq 80\%$
5. Unmarked Tolerance:  $\pm 0.5$  mm;
6. All material used conform to RoHS standards

Part No.	BTP-CG-5.7-HT-SN04				
Product Name: 5.7 INCH Heat glass	Drawing No.	C057251204SN04			
	Project Code.	C057SN04			
Business Unit: SNT-BTP	Period Mark	View Angle	Ratio		
	A		1:1		
Workmanship:	BOM Code	Page 1	Total 1 Page		
Standardization:	Product Series	BTP-CG	<b>SINOTELECTRONICS</b> Interactivity Changes the World		
Released by:	Rocky.Liu				

Designed by:	Curry.Wang
Checked by:	Jimmy.Lu
Approved by:	Cale.Chen